



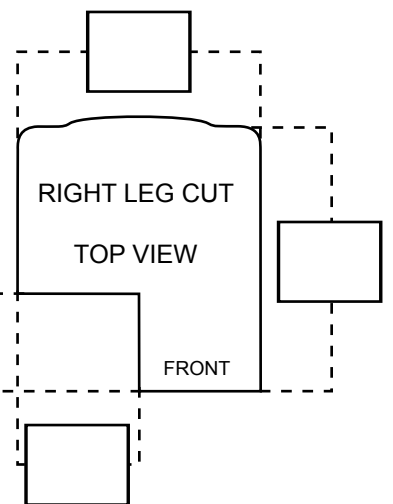
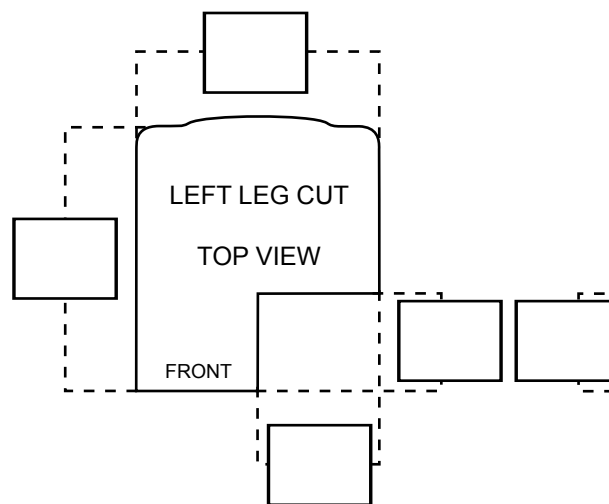
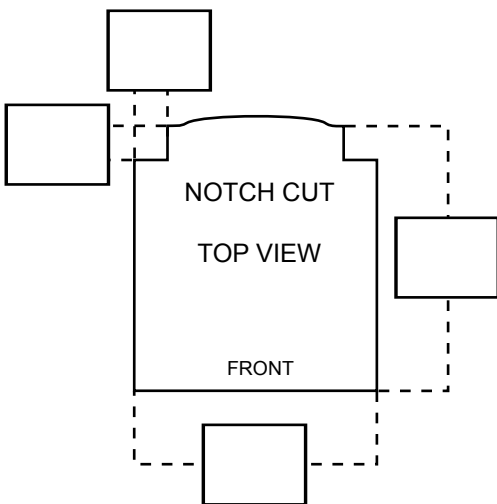
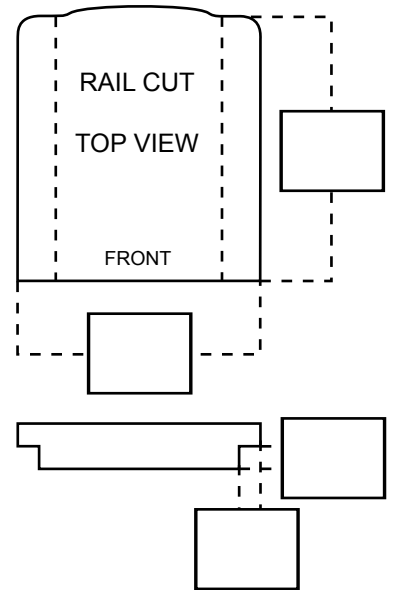
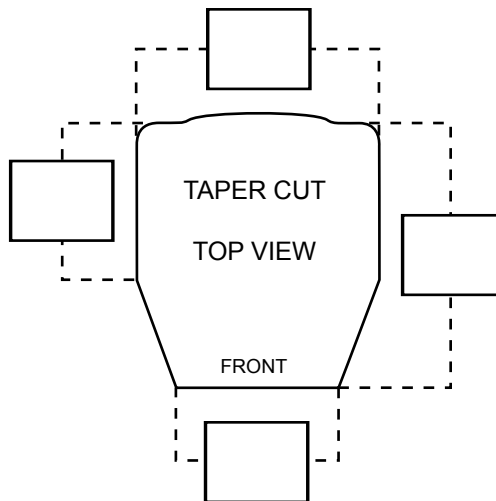
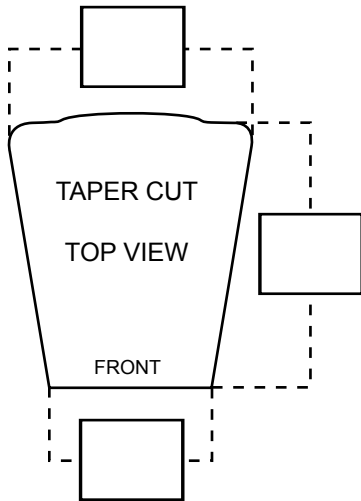
SPECIAL CUT ORDER FORM for Stimulite® Cushions



Technology You Can Get Comfortable With®
2050 Corporate Court | San Jose | CA 95131 P
800.787.7226 | F 888.329.7846
www.supracor.com

Client Name:	Date:
Ordered by:	
Cushion Model:	
Width:	Depth:

Please enter the required dimensions in the appropriate boxes.



SPECIAL CUTS ARE NON-REFUNDABLE!