

# NEOX™



## Parts Catalog



Physipro is a leading provider of high quality seating and mobility products.

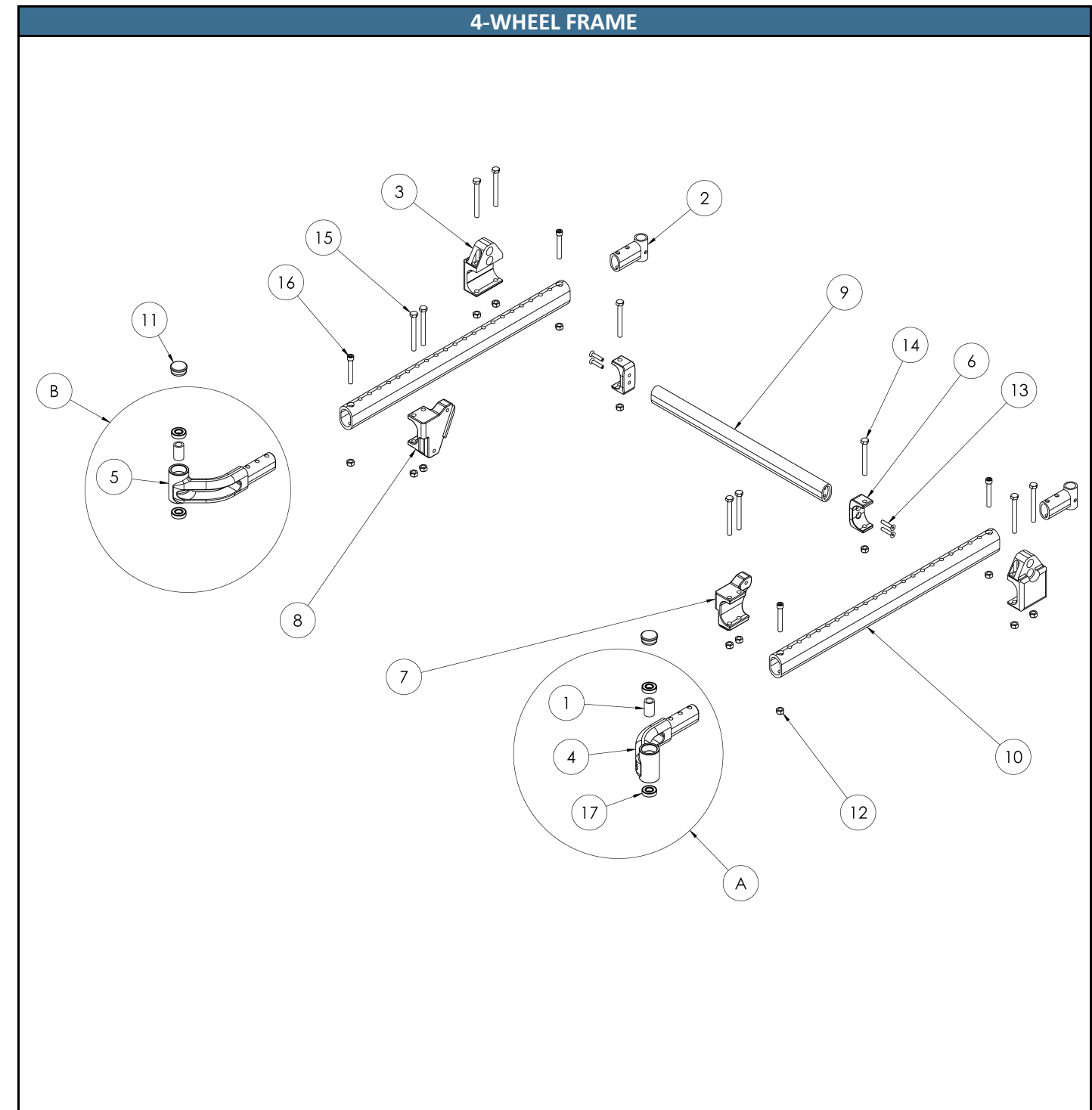
## TABLE OF CONTENTS

4-WHEEL FRAME.....	3
6-WHEEL FRAME.....	4
TILT MECHANISM.....	5
ELECTRIC TILT MECHANISM.....	7
SEAT FRAME.....	10
RIGID SEAT.....	11
STANDARD CASTER.....	12
DYNAMIC CASTER.....	13
REAR CASTER TILT MECHANISM.....	14
PROPULSION WHEEL.....	15
SPOKE-GUARD.....	16
ANTI-ROLLBACK WHEEL LOCK.....	17
WHEEL LOCK.....	18
CABLE WHEEL LOCK.....	19
ONE-ARM WHEEL LOCK.....	20
FOOT OPERATED WHEEL LOCK – 4-WHEEL (12" WHEEL).....	21
FOOT OPERATED WHEEL LOCK – 4-WHEEL (PROPULSION WHEEL).....	22
FOOT OPERATED WHEEL LOCK – 6-WHEEL (PROPULSION WHEEL).....	23
ANTI-TIP.....	24
" U " TYPE ARMREST.....	25
" T " TYPE ARMREST.....	27
STRANDARD BACK POST.....	28
ADJUSTABLE BACK POST FOR " U " TYPE ARMREST.....	29
ADJUSTABLE BACK POST FOR " T " TYPE ARMREST.....	30
FOLD-DOWN BACK POST.....	31
DYNAMIC BACK POST.....	32
RECLINING GAS SPRING BACKREST.....	33
FOOTREST.....	34
ELEVATING AND ARTICULATING LEGREST.....	35
CALF SUPPORT.....	36
FLIP-UP FOOTPLATE.....	37
FLIP-UP & ADJUSTABLE FOOTPLATE.....	38
ONE PIECE FLIP-UP FOOTPLATE.....	39
TENSION BAR.....	41
ADJSUTABLE SROLLER BAR.....	42
MULTI-ADJUSTABLE " OFFSET " HEADREST SUPPORT.....	43
OXYGEN TANK HOLDER.....	44
BACKREST.....	45
PADDED CALF STRAP.....	47
OTHER OPTIONS.....	47

**4-WHEEL FRAME**

NO.	QTY	DRAWING NO.	DESCRIPTION
A	1	PH-05889-L	LEFT FORK SUPPORT ASSEMBLY
B	1	PH-05889-R	RIGHT FORK SUPPORT ASSEMBLY

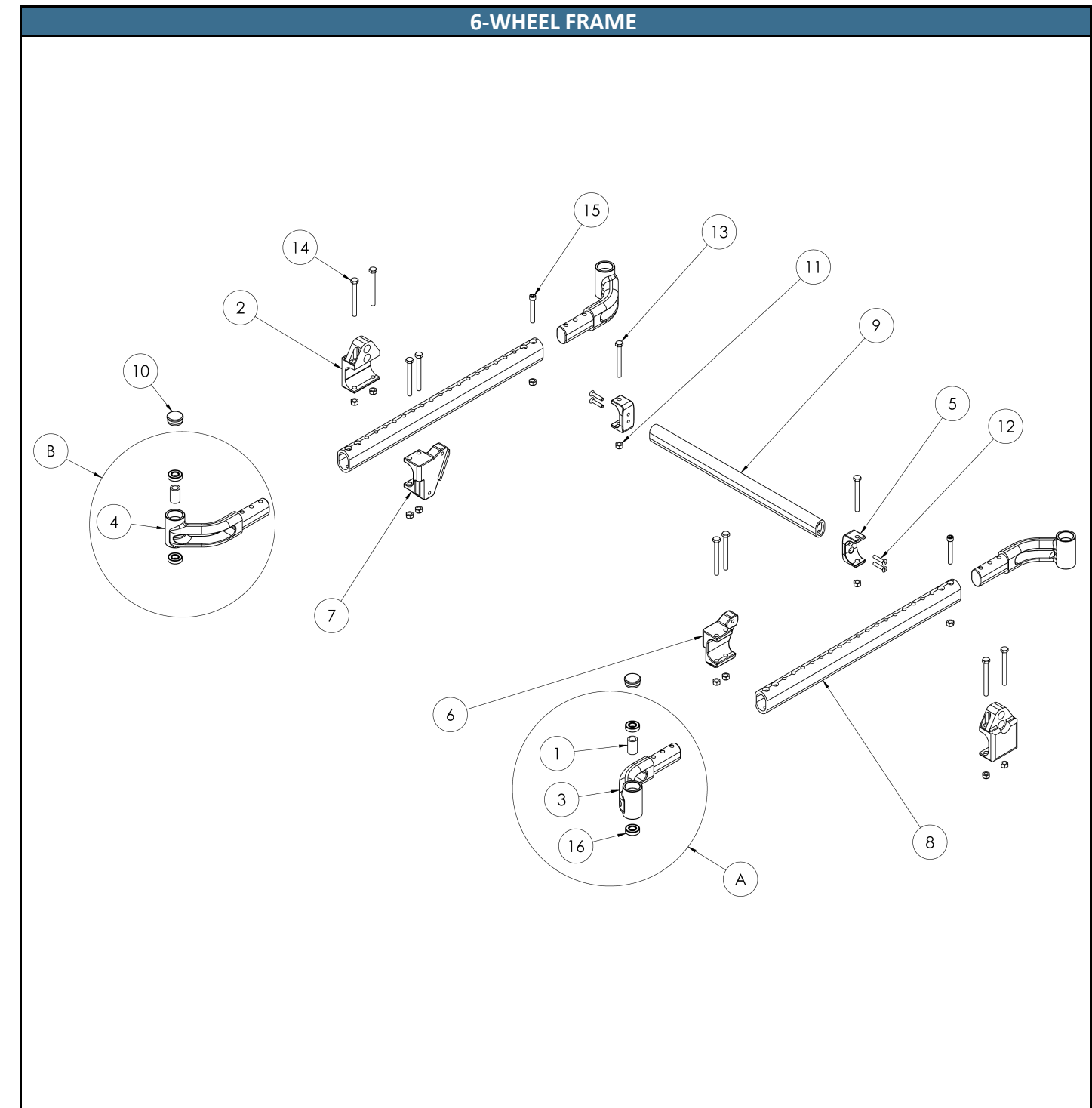
NO.	QTY	DRAWING NO.	DESCRIPTION
1	2	PH-01631	BEARING SHIM
2	2	PH-02762	ANTI-TILT ANCHOR
3	2	PH-03360	WHEEL BLOCK
4	1	PH-05234-L	LEFT FORK SUPPORT
5	1	PH-05234-R	RIGHT FORK SUPPORT
6	2	PH-05484	BACK CROSSBAR BLOCK
7	1	PH-05485-L	BASE LEFT BLOCK
8	1	PH-05485-R	BASE RIGHT BLOCK
9	1	PH-05704-C14	WELDED REAR INFERIOR CROSSBAR FOR 14"
	1	PH-05704-C15	WELDED REAR INFERIOR CROSSBAR FOR 15"
	1	PH-05704-C16	WELDED REAR INFERIOR CROSSBAR FOR 16"
	1	PH-05704-C17	WELDED REAR INFERIOR CROSSBAR FOR 17"
	1	PH-05704-C18	WELDED REAR INFERIOR CROSSBAR FOR 18"
	1	PH-05704-C19	WELDED REAR INFERIOR CROSSBAR FOR 19"
	1	PH-05704-C20	WELDED REAR INFERIOR CROSSBAR FOR 20"
	1	PH-05704-C21	WELDED REAR INFERIOR CROSSBAR FOR 21"
	1	PH-05704-C22	WELDED REAR INFERIOR CROSSBAR FOR 22"
	1	PH-05704-C23	WELDED REAR INFERIOR CROSSBAR FOR 23"
1	PH-05704-C24	WELDED REAR INFERIOR CROSSBAR FOR 24"	
1	PH-05704-C25	WELDED REAR INFERIOR CROSSBAR FOR 25"	
1	PH-05704-C26	WELDED REAR INFERIOR CROSSBAR FOR 26"	
10	2	PH-05858	NEOX 45° 4 WHEELS FRAME SIDERAIL
11	2	ST-02700	POLYETHYLENE CAP Ø1-1/4
12	14	ST-50285	LOCK NUT ZI M8X1.25
13	4	ST-50549	FLAT HEAD CAP SCREW SS M6X1.0X30
14	2	ST-50960	HEXAGONAL HEAD CAP SCREW SS M8X1.25X75
15	8	ST-50961	HEXAGONAL HEAD CAP SCREW SS M8X1.25X80
16	4	ST-51557	SOCKET HEAD CAP SCREW SS M8X1.25X55
17	4	ST-52039	BALL BEARING M12



**6-WHEEL FRAME**

NO.	QTY	DRAWING NO.	DESCRIPTION
A	1	PH-05889-L	LEFT FORK SUPPORT ASSEMBLY
B	1	PH-05889-R	RIGHT FORK SUPPORT ASSEMBLY

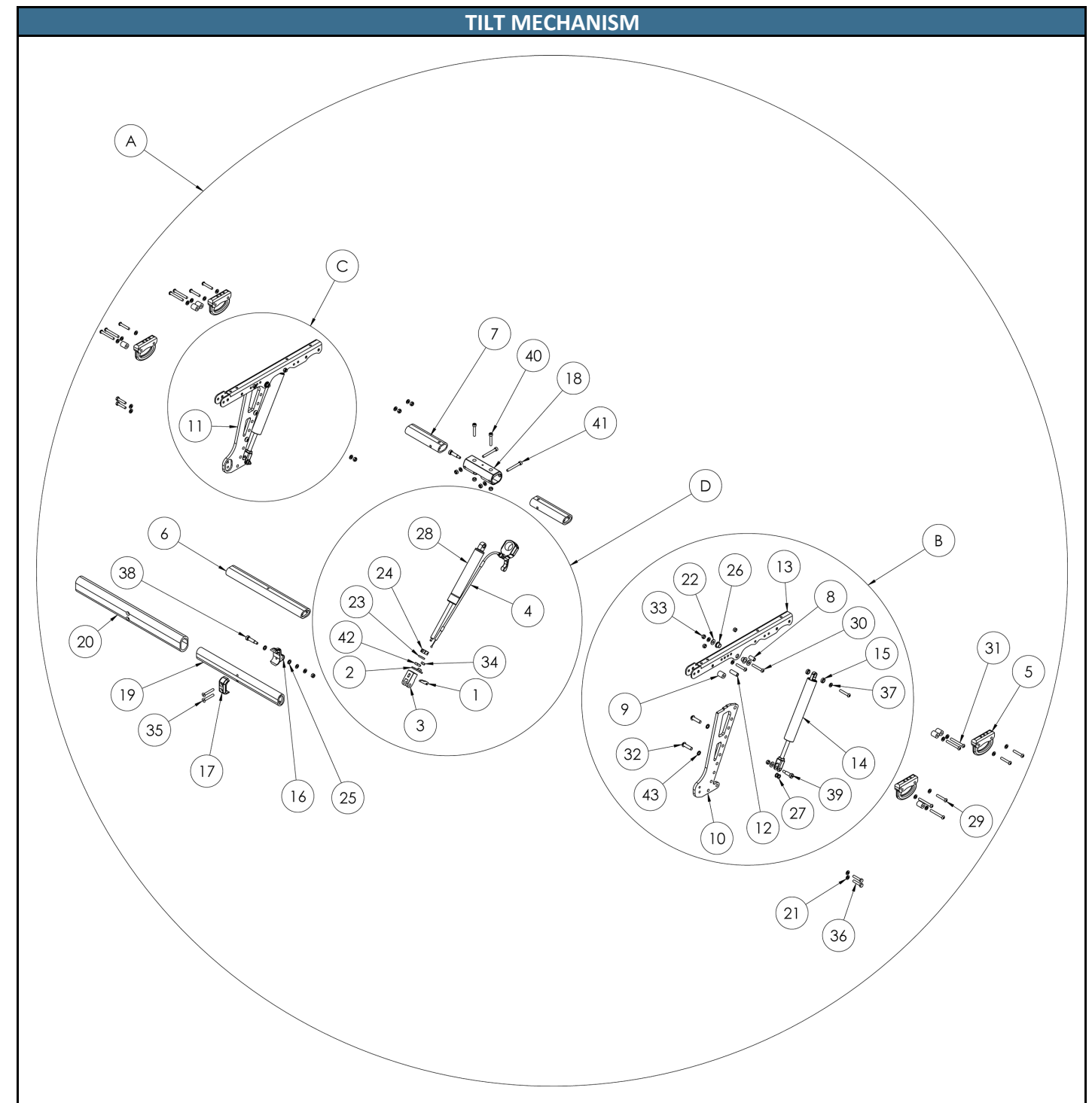
NO.	QTY	DRAWING NO.	DESCRIPTION
1	2	PH-01631	BEARING SHIM
2	2	PH-03360	WHEEL BLOCK
3	2	PH-05234-L	LEFT FORK SUPPORT
4	2	PH-05234-R	RIGHT FORK SUPPORT
5	2	PH-05484	BACK CROSSBAR BLOCK
6	1	PH-05485-L	BASE LEFT BLOCK
7	1	PH-05485-R	BASE RIGHT BLOCK
8	2	PH-05486	FRAME SIDERAIL
9	1	PH-05704-C14	WELDED REAR INFERIOR CROSSBAR FOR 14"
	1	PH-05704-C15	WELDED REAR INFERIOR CROSSBAR FOR 15"
	1	PH-05704-C16	WELDED REAR INFERIOR CROSSBAR FOR 16"
	1	PH-05704-C17	WELDED REAR INFERIOR CROSSBAR FOR 17"
	1	PH-05704-C18	WELDED REAR INFERIOR CROSSBAR FOR 18"
	1	PH-05704-C19	WELDED REAR INFERIOR CROSSBAR FOR 19"
	1	PH-05704-C20	WELDED REAR INFERIOR CROSSBAR FOR 20"
	1	PH-05704-C21	WELDED REAR INFERIOR CROSSBAR FOR 21"
	1	PH-05704-C22	WELDED REAR INFERIOR CROSSBAR FOR 22"
	1	PH-05704-C23	WELDED REAR INFERIOR CROSSBAR FOR 23"
1	PH-05704-C24	WELDED REAR INFERIOR CROSSBAR FOR 24"	
1	PH-05704-C25	WELDED REAR INFERIOR CROSSBAR FOR 25"	
1	PH-05704-C26	WELDED REAR INFERIOR CROSSBAR FOR 26"	
10	2	ST-02700	POLYETHYLENE CAP Ø1-1/4
11	12	ST-50285	LOCK NUT ZI M8X1.25
12	4	ST-50549	FLAT HEAD CAP SCREW SS M6X1.0X30
13	2	ST-50960	HEXAGONAL HEAD CAP SCREW SS M8X1.25X75
14	8	ST-50961	HEXAGONAL HEAD CAP SCREW SS M8X1.25X80
15	2	ST-51557	SOCKET HEAD CAP SCREW SS M8X1.25X55
16	2	ST-52039	BALL BEARING M12



**TILT MECHANISM**

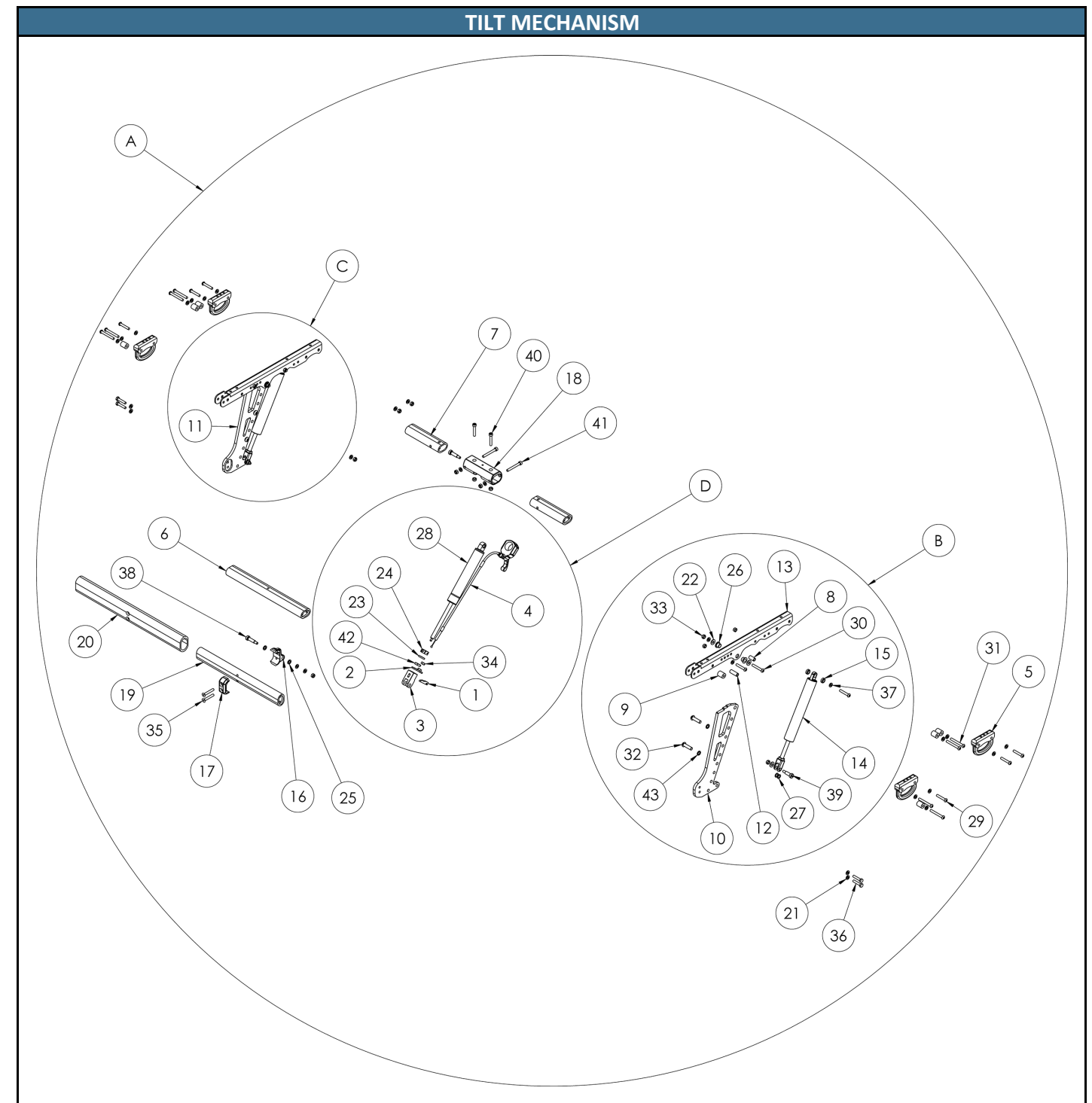
NO.	QTY	DRAWING NO.	DESCRIPTION
A	1	PH-05532-C14	TILT ASSEMBLY 14"
	1	PH-05532-C15	TILT ASSEMBLY 15"
	1	PH-05532-C16	TILT ASSEMBLY 16"
	1	PH-05532-C17	TILT ASSEMBLY 17"
	1	PH-05532-C18	TILT ASSEMBLY 18"
	1	PH-05532-C19	TILT ASSEMBLY 19"
	1	PH-05532-C20	TILT ASSEMBLY 20"
	1	PH-05532-C21	TILT ASSEMBLY 21"
	1	PH-05532-C22	TILT ASSEMBLY 22"
	1	PH-05532-C23	TILT ASSEMBLY 23"
	1	PH-05532-C24	TILT ASSEMBLY 24"
	1	PH-05532-C25	TILT ASSEMBLY 25"
1	PH-05532-C26	TILT ASSEMBLY 26"	
B	1	PH-05498-L	LEFT TILT MECHANISM ASSEMBLY
C	1	PH-05498-R	RIGHT TILT MECHANISM ASSEMBLY
D	1	PH-05491	STABILUS CYLINDER 692964 WITH CABLE AND FIXATION

NO.	QTY	DRAWING NO.	DESCRIPTION
1	1	PH-03354	LEVER ARM
2	1	PH-05068	CABLE RETENTION GUIDE
3	1	PH-05188	CYLINDER TIP
4	1	PH-05224	HANDLE AND SHORT CABLE FOR POSITION RELEASE
	1	PH-05225	HANDLE AND LONG CABLE FOR POSITION RELEASE
5	4	PH-05444	ANCHOR BLOCK
6	1	PH-05483-C14	WELDED SUPERIOR CROSSBAR FOR 14"
	1	PH-05483-C15	WELDED SUPERIOR CROSSBAR FOR 15"
	1	PH-05483-C16	WELDED SUPERIOR CROSSBAR FOR 16"
	1	PH-05483-C17	WELDED SUPERIOR CROSSBAR FOR 17"
	1	PH-05483-C18	WELDED SUPERIOR CROSSBAR FOR 18"
	1	PH-05483-C19	WELDED SUPERIOR CROSSBAR FOR 19"
	1	PH-05483-C20	WELDED SUPERIOR CROSSBAR FOR 20"
	1	PH-05483-C21	WELDED SUPERIOR CROSSBAR FOR 21"
	1	PH-05483-C22	WELDED SUPERIOR CROSSBAR FOR 22"
	1	PH-05483-C23	WELDED SUPERIOR CROSSBAR FOR 23"
	1	PH-05483-C24	WELDED SUPERIOR CROSSBAR FOR 24"
1	PH-05483-C25	WELDED SUPERIOR CROSSBAR FOR 25"	
1	PH-05483-C26	WELDED SUPERIOR CROSSBAR FOR 26"	
7	2	PH-05490-C14	WELDED BACK HALF CROSSBAR 5.271"
	2	PH-05490-C15	WELDED BACK HALF CROSSBAR 5.771"
	2	PH-05490-C16	WELDED BACK HALF CROSSBAR 6.271"
	2	PH-05490-C17	WELDED BACK HALF CROSSBAR 6.771"
	2	PH-05490-C18	WELDED BACK HALF CROSSBAR 7.271"
	2	PH-05490-C19	WELDED BACK HALF CROSSBAR 7.771"
	2	PH-05490-C20	WELDED BACK HALF CROSSBAR 8.271"
	2	PH-05490-C21	WELDED BACK HALF CROSSBAR 8.771"
	2	PH-05490-C22	WELDED BACK HALF CROSSBAR 9.271"
	2	PH-05490-C23	WELDED BACK HALF CROSSBAR 9.771"
2	PH-05490-C24	WELDED BACK HALF CROSSBAR 10.271"	
2	PH-05490-C25	WELDED BACK HALF CROSSBAR 10.771"	
2	PH-05490-C26	WELDED BACK HALF CROSSBAR 11.271"	



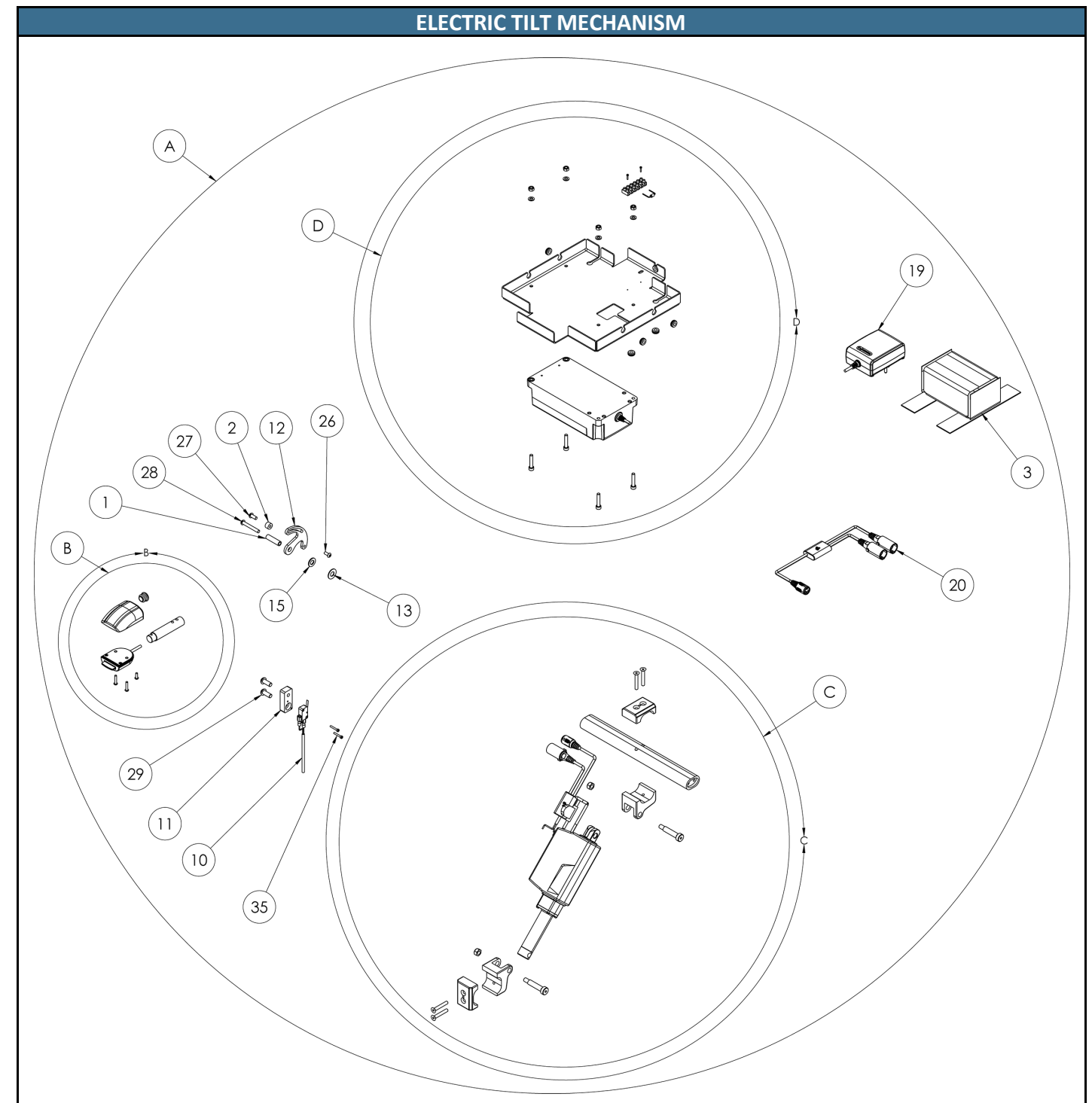
**TILT MECHANISM**

NO.	QTY	DRAWING NO.	DESCRIPTION
8	2	PH-05492	SPRING LOADED CYLINDER PIVOT
9	8	PH-05493	ENDING BLOCK
10	1	PH-05494-L	LEFT ADJUSTABLE FRAME PLATE
11	1	PH-05494-R	RIGHT ADJUSTABLE FRAME PLATE
12	2	PH-05495	PIVOT RING
13	2	PH-05496	LATERAL PLATE SWING
14	2	PH-05505	SPRING CYLINDER
15	4	PH-05506	CYLINDER PIVOT SPACER
16	1	PH-05509	REAR LOWER CROSSBAR FIXATION BLOCK
16	1	PH-05899**	LOWER CROSSBAR FIXATION BLOCK
17	1	PH-05510*	INFERIOR CROSSBAR FIXATION BLOCK
18	1	PH-05511	CENTRAL CYLINDER FIXATION BLOCK
19	1	PH-05588-C14	WELDED INFERIOR CROSSBAR FOR 14"
19	1	PH-05588-C15	WELDED INFERIOR CROSSBAR FOR 15"
19	1	PH-05588-C16	WELDED INFERIOR CROSSBAR FOR 16"
19	1	PH-05588-C17	WELDED INFERIOR CROSSBAR FOR 17"
19	1	PH-05588-C18	WELDED INFERIOR CROSSBAR FOR 18"
19	1	PH-05588-C19	WELDED INFERIOR CROSSBAR FOR 19"
19	1	PH-05588-C20	WELDED INFERIOR CROSSBAR FOR 20"
19	1	PH-05588-C21	WELDED INFERIOR CROSSBAR FOR 21"
19	1	PH-05588-C22	WELDED INFERIOR CROSSBAR FOR 22"
19	1	PH-05588-C23	WELDED INFERIOR CROSSBAR FOR 23"
19	1	PH-05588-C24	WELDED INFERIOR CROSSBAR FOR 24"
19	1	PH-05588-C25	WELDED INFERIOR CROSSBAR FOR 25"
19	1	PH-05588-C26	WELDED INFERIOR CROSSBAR FOR 26"
20	1	PH-05898-C18**	WELDED INFERIOR CROSSBAR REINFORCEMENT 18"
20	1	PH-05898-C19**	WELDED INFERIOR CROSSBAR REINFORCEMENT 19"
20	1	PH-05898-C20**	WELDED INFERIOR CROSSBAR REINFORCEMENT 20"
20	1	PH-05898-C21**	WELDED INFERIOR CROSSBAR REINFORCEMENT 21"
20	1	PH-05898-C22**	WELDED INFERIOR CROSSBAR REINFORCEMENT 22"
21	21	ST-01640	LOCK WASHER ZI Ø1/4
22	6	ST-01719	FLAT WASHER SS Ø1/4
23	1	ST-02494	PLASTIC FLAT WASHER Ø0.3125
24	1	ST-02934	SPLIT COLLAR
25	2	ST-03021	NYLON FLAT WASHER 0.3125
26	4	ST-03165	IGLIDE FLANGE BEARING Ø3/8
27	4	ST-03273	NYLON FLAT WASHER Ø0.315
28	1	ST-03857	GAZ CYLINDER 500N 78-310MM MAX
29	10	ST-50120	BUTTON HEAD CAP SCREW SS M6X1.0X35
30	2	ST-50121	BUTTON HEAD CAP SCREW SS M6X1.0X40
31	8	ST-50123	BUTTON HEAD CAP SCREW SS M6X1.0X50
32	4	ST-50169	BUTTON HEAD CAP SCREW SS M8X1.25X30
33	19	ST-50284	LOCK NUT ZI M6X1.0
34	1	ST-50369	HEXAGONAL NUT ZI M6X1.0
35	2	ST-50551	FLAT HEAD CAP SCREW SS M6X1.0X40
36	4	ST-50920	HEXAGONAL HEAD CAP SCREW SS M6X1.0X30
37	13	ST-51066	FLAT WASHER SS M6
38	2	ST-51212	SHOULDER BOLT CAP SCREW BO M8X25 X M6X1.0
39	2	ST-51218	SHOULDER BOLT CAP SCREW BO M8X20 X M6X1.0
40	2	ST-51485	SOCKET SCREW SS M6X1.0X35



**ELECTRIC TILT MECHANISM**

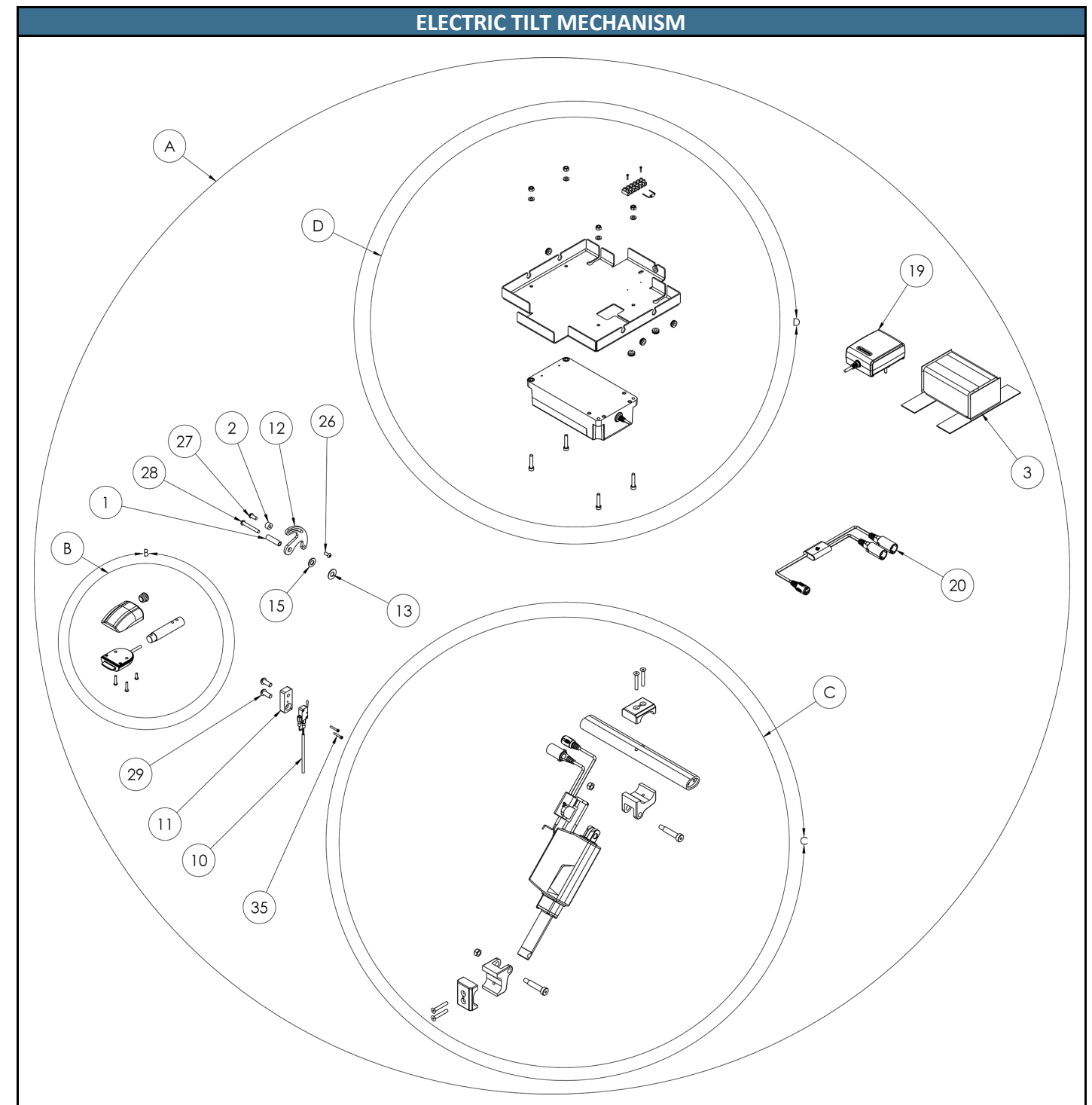
NO.	QTY	DRAWING NO.	DESCRIPTION
A	1	PH-05845-C14	ELECTRIC TILT ASSEMBLY 14"
	1	PH-05845-C15	ELECTRIC TILT ASSEMBLY 15"
	1	PH-05845-C16	ELECTRIC TILT ASSEMBLY 16"
	1	PH-05845-C17	ELECTRIC TILT ASSEMBLY 17"
	1	PH-05845-C18	ELECTRIC TILT ASSEMBLY 18"
	1	PH-05845-C19	ELECTRIC TILT ASSEMBLY 19"
	1	PH-05845-C20	ELECTRIC TILT ASSEMBLY 20"
	1	PH-05845-C21	ELECTRIC TILT ASSEMBLY 21"
	1	PH-05845-C22	ELECTRIC TILT ASSEMBLY 22"
	1	PH-05845-C23	ELECTRIC TILT ASSEMBLY 23"
	1	PH-05845-C24	ELECTRIC TILT ASSEMBLY 24"
	1	PH-05845-C25	ELECTRIC TILT ASSEMBLY 25"
	1	PH-05845-C26	ELECTRIC TILT ASSEMBLY 26"
B	1	PH-05625	HORIZONTAL TILT CONTROLLER
C	1	PH-05840-C14	ELECTRIC TILT CYLINDER ASSEMBLY 14"
	1	PH-05840-C15	ELECTRIC TILT CYLINDER ASSEMBLY 15"
	1	PH-05840-C16	ELECTRIC TILT CYLINDER ASSEMBLY 16"
	1	PH-05840-C17	ELECTRIC TILT CYLINDER ASSEMBLY 17"
	1	PH-05840-C18	ELECTRIC TILT CYLINDER ASSEMBLY 18"
	1	PH-05840-C19	ELECTRIC TILT CYLINDER ASSEMBLY 19"
	1	PH-05840-C20	ELECTRIC TILT CYLINDER ASSEMBLY 20"
	1	PH-05840-C21	ELECTRIC TILT CYLINDER ASSEMBLY 21"
	1	PH-05840-C22	ELECTRIC TILT CYLINDER ASSEMBLY 22"
	1	PH-05840-C23	ELECTRIC TILT CYLINDER ASSEMBLY 23"
	1	PH-05840-C24	ELECTRIC TILT CYLINDER ASSEMBLY 24"
1	PH-05840-C25	ELECTRIC TILT CYLINDER ASSEMBLY 25"	
1	PH-05840-C26	ELECTRIC TILT CYLINDER ASSEMBLY 26"	
D	1	PH-05897	BATTERY ASSEMBLY FOR ELECTRIC TILT



TECHNICAL DRAWINGS (DETAILS) →

**ELECTRIC TILT MECHANISM**

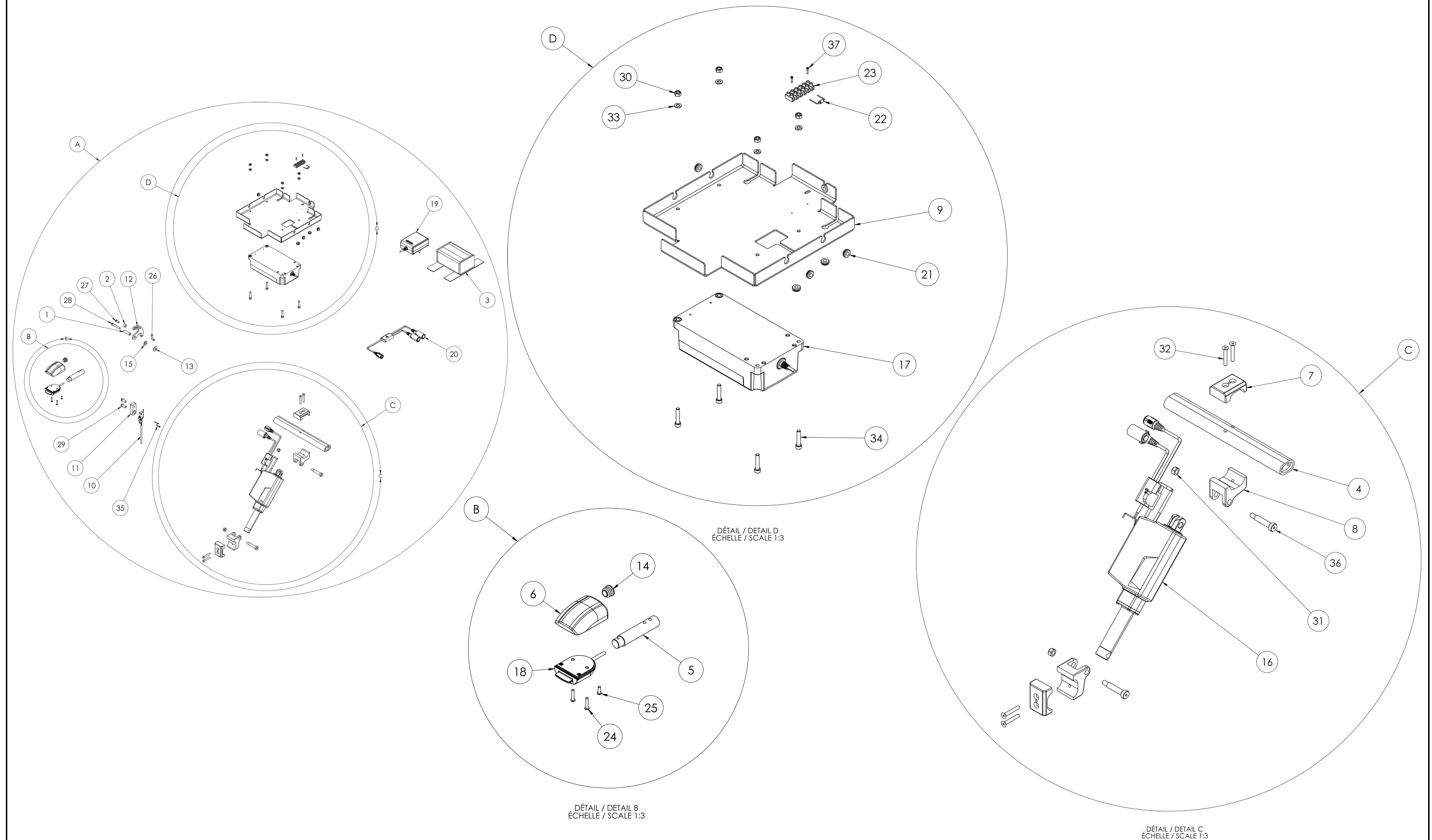
NO.	QTY	DRAWING NO.	DESCRIPTION
1	1	PH-00912	SLEEVE Ø 3/8 X 1 3/8"
2	1	PH-03940	SPACER
3	1	PH-04149	SUPPORT CHARGEUR
4	1	PH-05588-C13	WELDED INFERIOR CROSSBAR FOR 13"
	1	PH-05588-C14	WELDED INFERIOR CROSSBAR FOR 14"
	1	PH-05588-C15	WELDED INFERIOR CROSSBAR FOR 15"
	1	PH-05588-C16	WELDED INFERIOR CROSSBAR FOR 16"
	1	PH-05588-C17	WELDED INFERIOR CROSSBAR FOR 17"
	1	PH-05588-C18	WELDED INFERIOR CROSSBAR FOR 18"
	1	PH-05588-C19	WELDED INFERIOR CROSSBAR FOR 19"
	1	PH-05588-C20	WELDED INFERIOR CROSSBAR FOR 20"
	1	PH-05588-C21	WELDED INFERIOR CROSSBAR FOR 21"
	1	PH-05588-C22	WELDED INFERIOR CROSSBAR FOR 22"
	1	PH-05588-C23	WELDED INFERIOR CROSSBAR FOR 23"
1	PH-05588-C24	WELDED INFERIOR CROSSBAR FOR 24"	
1	PH-05588-C25	WELDED INFERIOR CROSSBAR FOR 25"	
5	1	PH-05621	SUPPORT ROD CONTROLLER
6	1	PH-05622	SUPPORT BASE FOR VERTICAL CONTROLLER
	1	PH-05624	SUPPORT BASE FOR HORIZONTAL CONTROLLER
7	2	PH-05630	INFERIOR CROSSBAR FIXATION BLOCK
8	2	PH-05631	BACK INFERIOR CROSSBAR FIXATION BLOCK
9	1	PH-05835	TBB4 BATTERY SUPPORT
10	1	PH-05920	LIMIT SWITCH ASSEMBLY
11	1	PH-06022	SPACER LIMIT SWITCH FOR NEOX ELECTRIC TILT
12	1	PH-06023	STOP FOR NEOX ELECTRIC TILT
13	1	ST-01578	FLAT WASHER ZI Ø3/8
14	1	ST-02623	PLASTIC CAP Ø3/4
15	1	ST-03687	NYLON FLAT WASHER Ø0.390
16	1	ST-03802	ACTUATOR POWER TILT #TA29-5D
17	1	ST-03803	BATTERY POWER TILT # TBB4
18	1	ST-03804	SWITCH POWER TILT # TFH21-A
19	1	ST-03805	POWER TILT CHARGER #TP8
20	1	ST-03806	Y CONNECTOR FOR POWER TILT # TYC-A
21	6	ST-03871	1/4" I.D. X 9/16" O.D. X 1/4" THICK RUBBER GROMMET
22	1	ST-03874	DIODE 1N5408 - 1000 VOLTS (P.I.) - 3 AMPERES
23	1	ST-03877	TERMINAL BLOCK 3.75" (95 MM) 14/18 AWG - 3 AMPERES - 12 POSITIONS
24	2	ST-50017	BUTTON HEAD CAP SCREW SS M4X0.7X20
25	1	ST-50035	BUTTON HEAD CAP SCREW SS M4X0.7X12
26	1	ST-50058	BUTTON HEAD CAP SCREW SS M5X0.8X12
27	1	ST-50114	BUTTON HEAD CAP SCREW SS M6X1.0X14
28	1	ST-50122	BUTTON HEAD CAP SCREW SS M6X1.0X45
29	2	ST-50167	BUTTON HEAD CAP SCREW SS M8X1.25X20
30	4	ST-50284	LOCK NUT ZI M6X1.0
31	2	ST-50285	LOCK NUT ZI M8X1.25
32	4	ST-50551	FLAT HEAD CAP SCREW SS M6X1.0X40
33	4	ST-51066	FLAT WASHER SS M6
34	4	ST-51484	SOCKET SCREW SS M6X1.0X30
35	2	ST-51780	SOCKET HEAD CAP SCREW SS M3X0.5X20
36	2	ST-52894	SHOULDER BOLT CAP SCREW M10X40 X M8X1.25
37	2	ST-52913	SOCKET SCREW SS M2X0.4X10



TECHNICAL DRAWINGS (DETAILS) →



ELECTRIC TILT MECHANISM- TECHNICAL DRAWINGS (DETAILS)



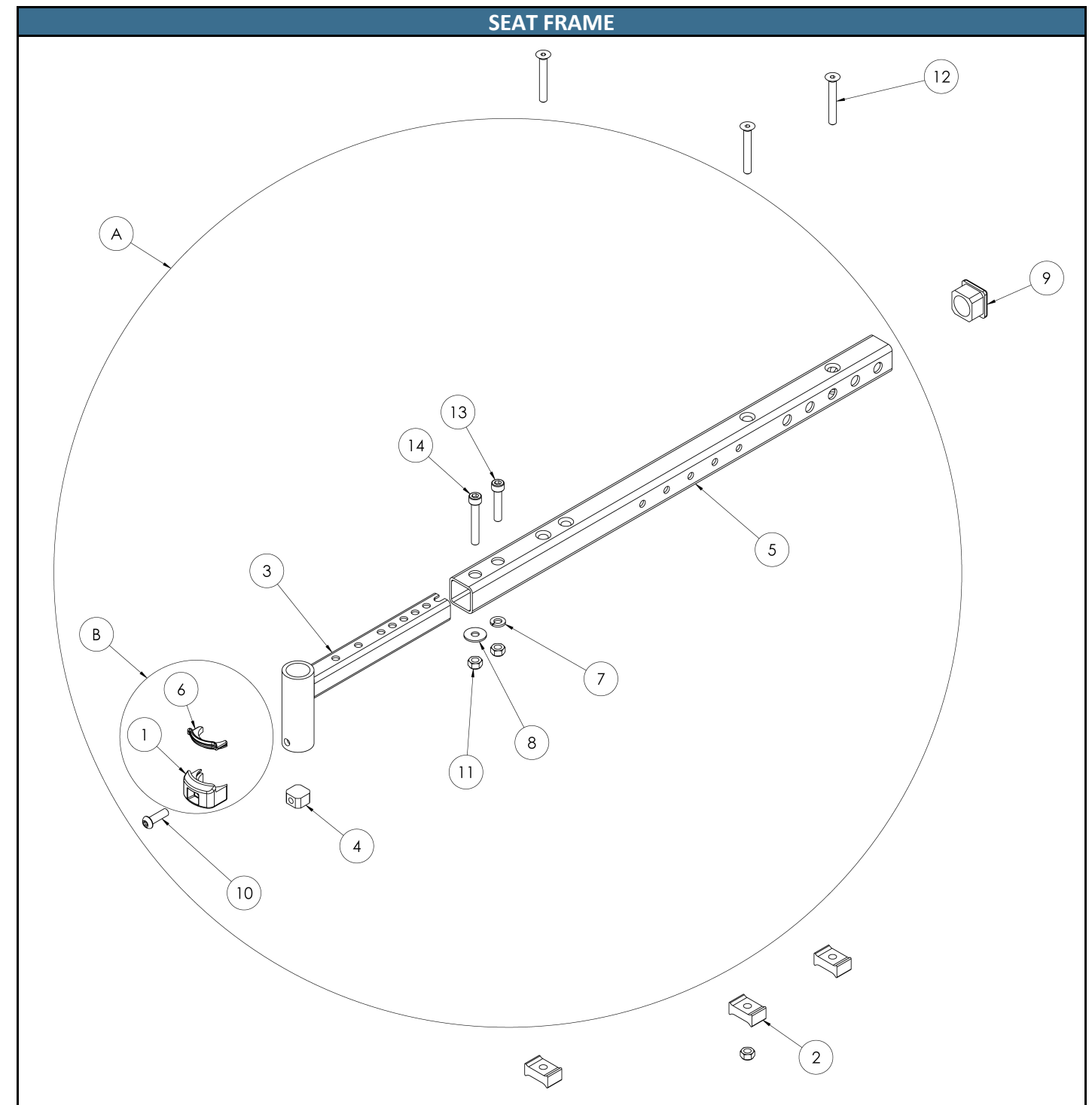
**SEAT FRAME**

NO.	QTY	DRAWING NO.	DESCRIPTION
A	1	PH-05521	STANDARD SEATING LONGERON
	1	PH-05522	SEATING DEEP LONGERON
B	1	PH-05569	TUBE FIXATION WITH PLASTIC INSERT ASSEMBLY

NO.	QTY	DRAWING NO.	DESCRIPTION
1	1	PH-05472	FOOTREST ON TUBE FIXATION
2	3	PH-05487	SEAT AND FRAME SPACER
3	1	PH-05515	WELDED FOOT SUPPORT
4	1	PH-05517	INNER TUBE BLOCK INSERT
5	1	PH-05519	STANDARD SEATING LONGERON
	1	PH-05520	SEAT DEEP LONGERON
6	1	PH-05534	PLASTIC FOOTREST PICK INSERT
7	1	ST-01640	LOCK WASHER ZI Ø1/4
8	1	ST-01640*	LOCK WASHER ZI Ø1/4
	1	ST-51150**	WIDE FLAT WASHER SS M6
9	1	ST-03123	SQUARE CAP 1"
10	1	ST-50117	BUTTON HEAD CAP SCREW SS M6X1.0X20
11	3	ST-50284	LOCK NUT ZI M6X1.0
12	3	ST-50552	FLAT HEAD CAP SCREWS SS M6X1.0X45
13	1	ST-51484	SOCKET SCREW SS M6X1.0X30
14	1	ST-51484*	SOCKET SCREW SS M6X1.0X30
	1	ST-51486**	SOCKET SCREW SS M6X1.0X40

\* PART USED WITH "T" ARMREST

\*\* PART USED WITH "U" ARMREST

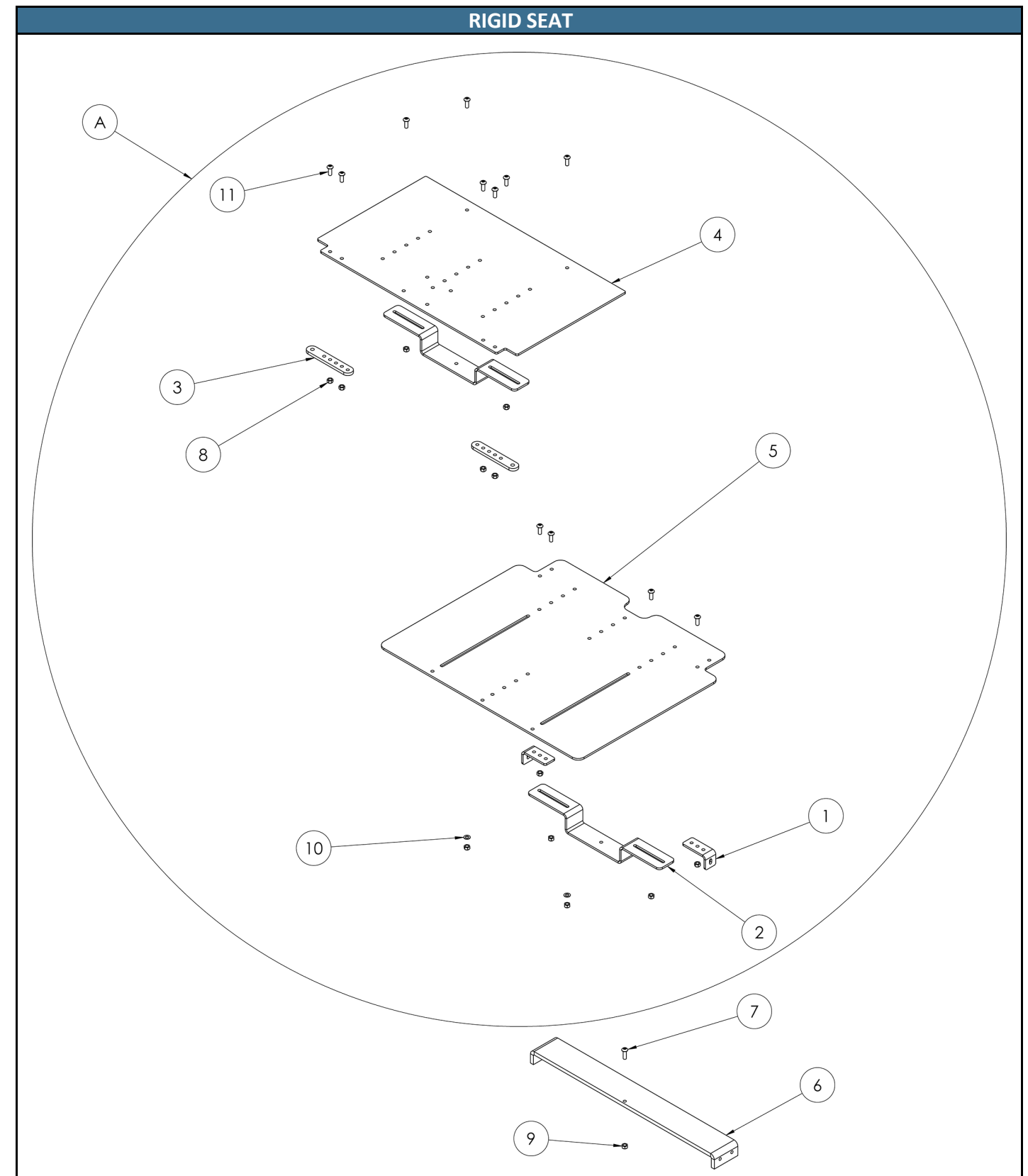


**RIGID SEAT**

NO.	QTY	DRAWING NO.	DESCRIPTION
A	1	PH-05596	SEAT PLATE 14" TO 16" W X 14" TO 22" D
	1	PH-05597	SEAT PLATE 17" TO 19" W X 14" TO 22" D
	1	PH-05598	SEAT PLATE 20" TO 22" W X 14" TO 22" D

NO.	QTY	DRAWING NO.	DESCRIPTION
1	2	PH-05497	HIGH POSITION SEAT L
2	2	PH-05507	HIGH SEAT SUPPORT SHEET
3	2	PH-05508	FRONT SEAT FLAT BAR
4	1	PH-05590	FRONT SEAT PLATE 14" TO 16"
	1	PH-05592	FRONT SEAT PLATE 17" TO 19"
	1	PH-05594	FRONT SEAT PLATE 20" TO 22"
5	1	PH-05591	BACK SEAT PLATE 14" TO 16"
	1	PH-05593	BACK SEAT PLATE 17" TO 19"
	1	PH-05595	BACK SEAT PLATE 20" TO 22"
6	1	PH-05900*	SEAT REINFORCEMENT 18"
	1	PH-05901*	SEAT REINFORCEMENT 19"
	1	PH-05902*	SEAT REINFORCEMENT 20"
	1	PH-05903*	SEAT REINFORCEMENT 21"
	1	PH-05904*	SEAT REINFORCEMENT 22"
7	1	ST-50059*	BUTTON HEAD CAP SCREW SS M5X0.8X16
8	12	ST-50283	LOCK NUT ZI M5X0.8
9	1	ST-50283*	LOCK NUT ZI M5X0.8
10	2	ST-51065	FLAT WASHER SS M5
11	12	ST-51997	BUTTON HEAD CAP SCREW SS M5X0.8X14

\* USED FOR WIDTHS OF 18" AND +



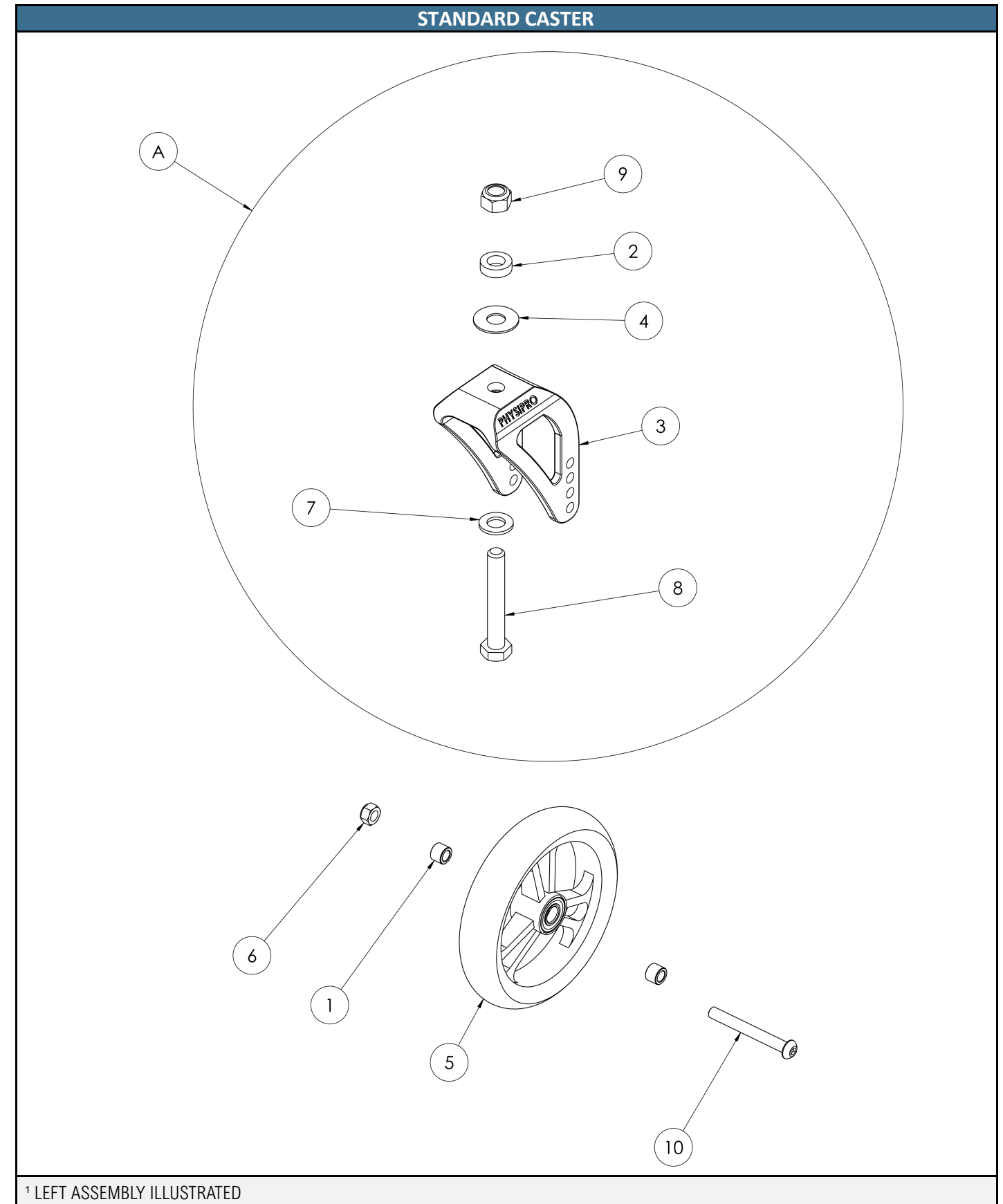
**STANDARD CASTER**

NO.	QTY	DRAWING NO.	DESCRIPTION
A	1	PH-05657	STANDARD CASTER

NO.	QTY	DRAWING NO.	DESCRIPTION
1	2	0004-104-001	WHEEL AXLE SPACER
2	1	PH-02405	FRONT WHEEL SPACER 1/4"
	1	PH-05417*	SMALL REAR SHIM FOR RECLINER
3	1	PH-05248	FORK
4	1	PH-05859**	SHIM FOR REAR FORK 6 WHEELS
	1	ST-01580	FLAT WASHER SS Ø1/2
5	1	ST-02444	FRONT WHEEL HOLLOW Ø5X1
	1	ST-02458	FRONT WHEEL HOLLOW Ø5X1-1/2
	1	ST-02459	FRONT WHEEL HOLLOW Ø6X1-1/4
	1	ST-02460	FRONT WHEEL HOLLOW Ø6X1-1/2
	1	ST-02844	URETHANE FRONT WHEEL Ø8"X2"
	1	ST-02846	URETHANE FRONT WHEEL Ø8"X1-1/2"
6	1	ST-50285	LOCK NUT ZI M8X1.25
7	3	ST-51955	FLAT WASHER SS M12
8	1	ST-52040	HEXAGONAL HEAD CAP SCREW ZI M12X1.50X80
	1	ST-52898*	HEXAGONAL HEAD CAP SCREW ZI M12X1.50X100
9	1	ST-52041	LOCK NUT ZI M12X1.50
10	1	ST-52867	BUTTON HEAD CAP SCREW SS M8X1.25X70

\* PART USED IN 6 WHEELS

\*\* PARTS USED IN 6 WHEELS. THE NUMBER OF PIECES CAN VARY FROM 0 TO 5

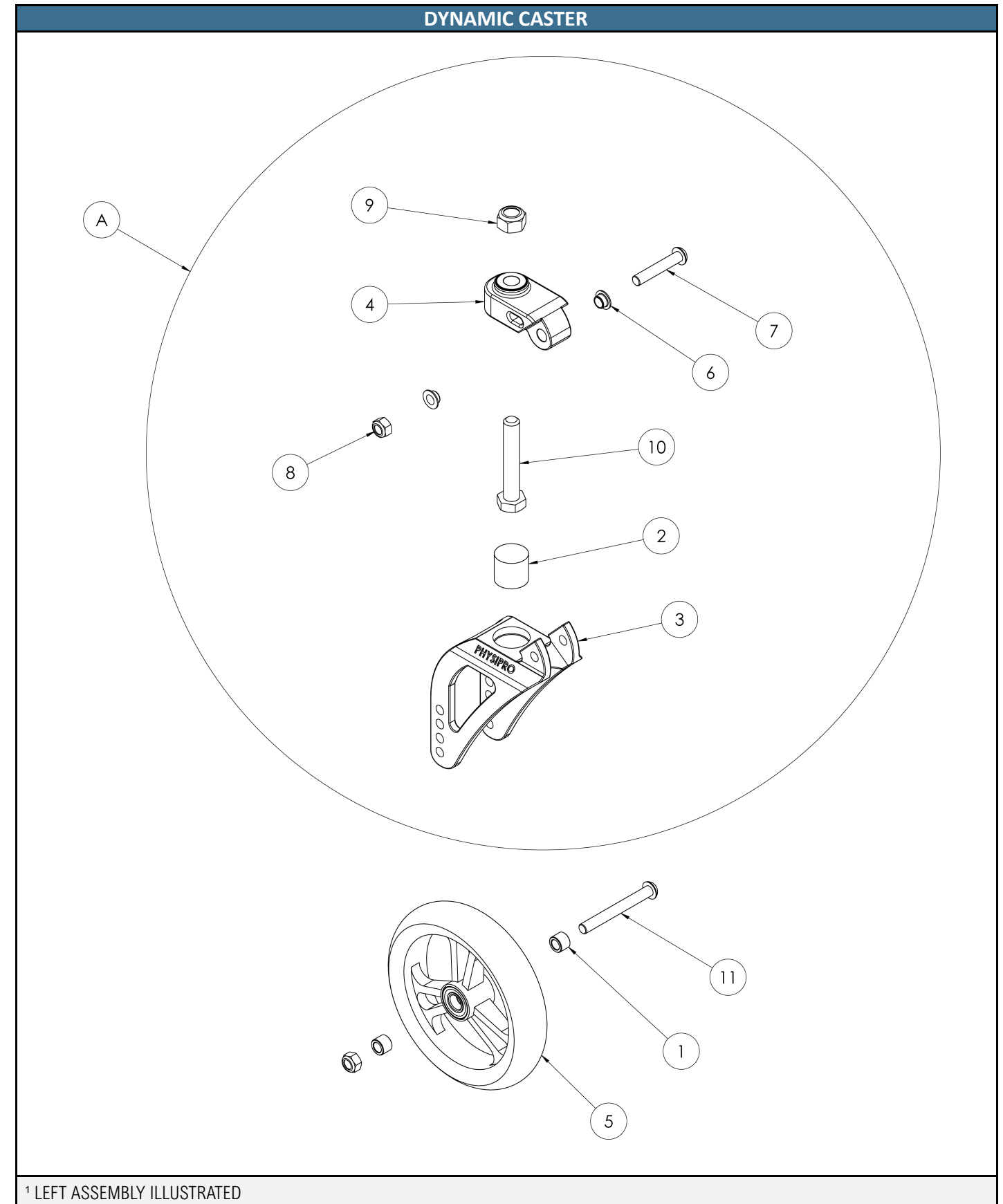


<sup>1</sup> LEFT ASSEMBLY ILLUSTRATED

### DYNAMIC CASTER

NO.	QTY	DRAWING NO.	DESCRIPTION
A	1	PH-05531-L	LEFT DYNAMIC FORK ASSEMBLY
	1	PH-05531-R	RIGHT DYNAMIC FORK ASSEMBLY

NO.	QTY	DRAWING NO.	DESCRIPTION
1	2	0004-104-001	WHEEL AXLE SPACER
2	1	PH-03492	RUBBER ROD FOR DYNAMIC FORK
3	1	PH-05415	DYNAMIC WHEEL SUPPORT
4	1	PH-05416	BLOCK PIVOT FOR DYNAMIC WHEEL
5	1	ST-02458	FRONT WHEEL HOLLOW Ø5X1-1/2
	1	ST-02460	FRONT WHEEL HOLLOW Ø6X1-1/2
	1	ST-02846	URETHANE FRONT WHEEL Ø8"X1-1/2"
6	2	ST-03063	SLEEVE BEARING WITH FLANGE M8
7	1	ST-50172	BUTTON HEAD CAP SCREW SS M8X1.25X45
8	2	ST-50285	LOCK NUT ZI M8X1.25
9	1	ST-52041	LOCK NUT ZI M12X1.50
10	1	ST-52834	HEXAGONAL HEAD CAP SCREW ZI M12X1.50X70
11	1	ST-52867	BUTTON HEAD CAP SCREW SS M8X1.25X70

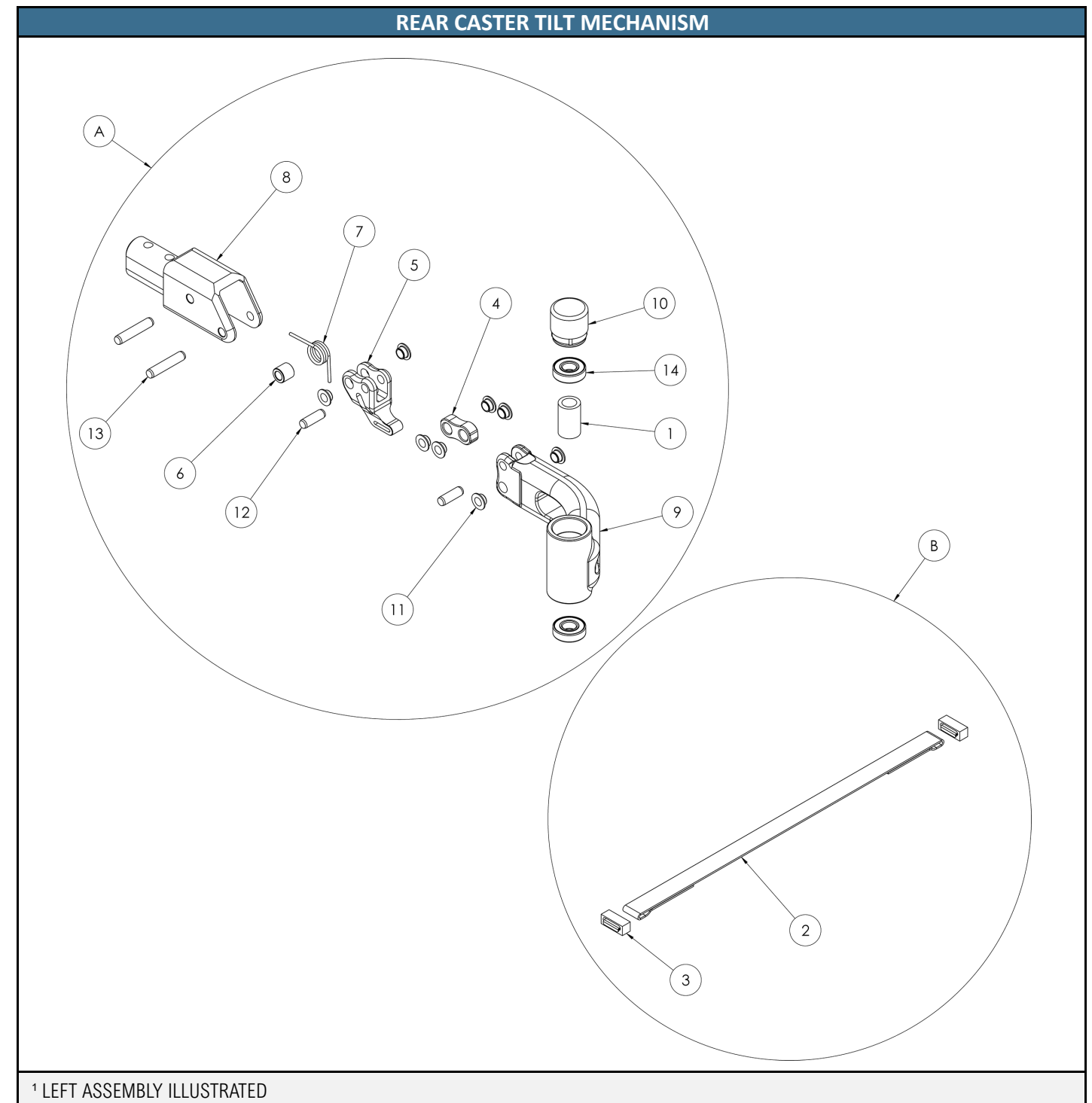


<sup>1</sup> LEFT ASSEMBLY ILLUSTRATED

## REAR CASTER TILT MECHANISM

NO.	QTY	DRAWING NO.	DESCRIPTION
A	1	PH-05616-L	LEFT RECLINER
	1	PH-05616-R	RIGHT RECLINER
B	1	PH-03956	STRAP ASSEMBLY 14" TO 19"
	1	PH-03957	STRAP ASSEMBLY 19" TO 24"

NO.	QTY	DRAWING NO.	DESCRIPTION
1	1	PH-01631	BEARING SHIM
2	1	PH-03543A	WHEEL CHAIR STRAP 14" TO 19"
	1	PH-03543B	WHEEL CHAIR STRAP 19" TO 24"
3	2	PH-03934	TIGHTEN BELT ASSEMBLY
4	1	PH-04667	RETRACTABLE FORK MECHANISM LINK
5	1	PH-04668	RETRACTABLE FORK AXLE BLOCK
6	1	PH-04670	SPRING BUSHING
7	1	PH-04671	TORSION SPRING 90°
8	1	PH-05121	REAR CASTER TILT MECHANISM BRACKET
9	1	PH-05222-L	LEFT RETRACTABLE FORK TUBE
	1	PH-05222-R	RIGHT RETRACTABLE FORK TUBE
10	1	ST-02700	POLYETHYLENE CAP Ø1-1/4
11	8	ST-03063	SLEEVE BEARING WITH FLANGE M8
12	2	ST-03749	DOWEL PIN M8X24
13	2	ST-03750	DOWEL PIN M8X40
14	2	ST-52039	BALL BEARING M12



**PROPULSION WHEEL**

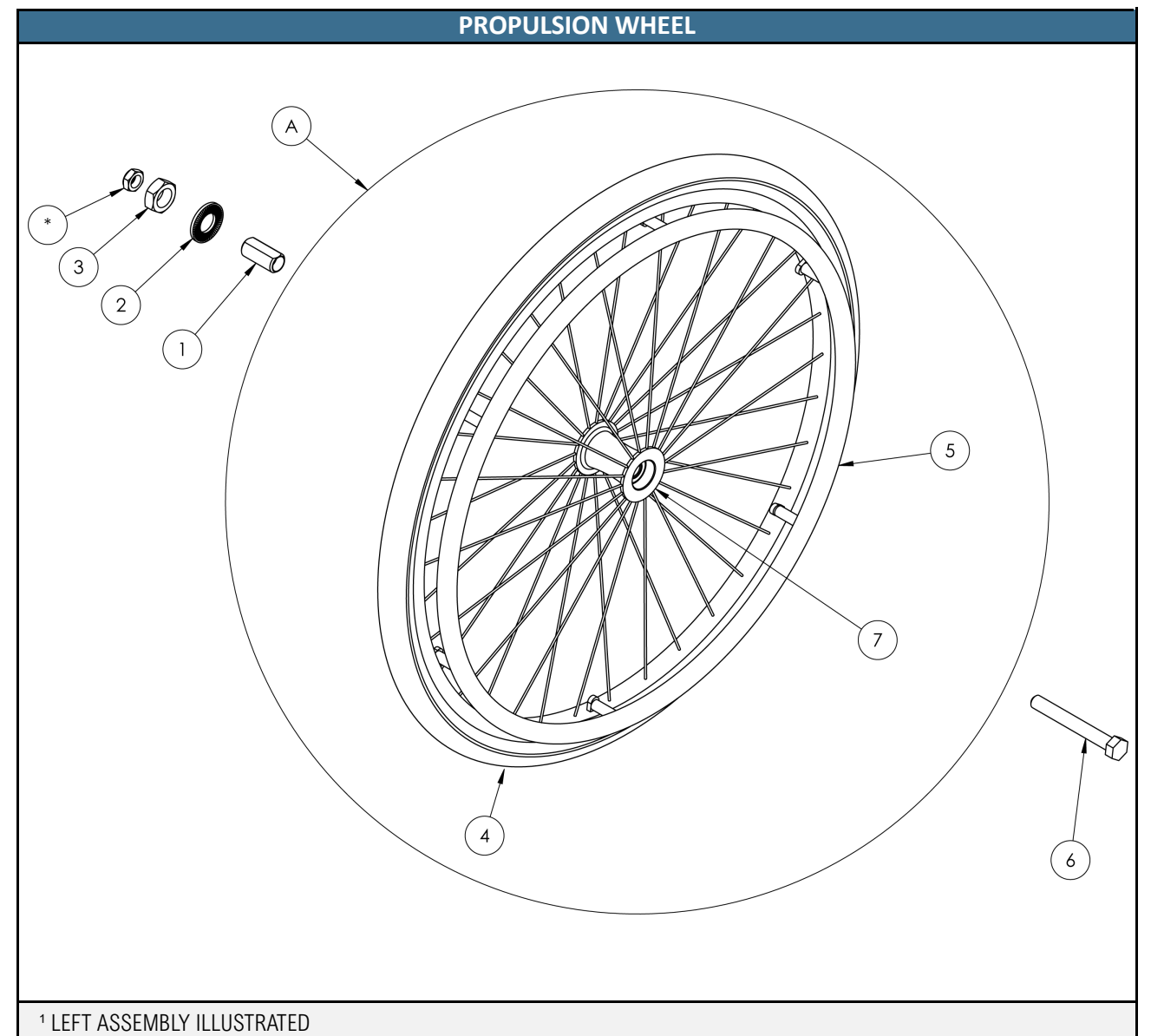
NO.	QTY	DRAWING NO.	DESCRIPTION
A	1	ST-02832	PROPULSION WHEEL SPOKE URETHANE 20" - ALUMINUM HANDRIM
	1	ST-02961	PROPULSION WHEEL SPOKE URETHANE 20" - PLASTIC COATED HANDRIM
	1	ST-02833	PROPULSION WHEEL SPOKE URETHANE 22" - ALUMINUM HANDRIM
	1	ST-02962	PROPULSION WHEEL SPOKE URETHANE 22" - PLASTIC COATED HANDRIM
	1	ST-02834	PROPULSION WHEEL SPOKE URETHANE 24" - ALUMINUM HANDRIM
	1	ST-02963	PROPULSION WHEEL SPOKE URETHANE 24" - PLASTIC COATED HANDRIM
	1	ST-02824	PROPULSION WHEEL SPOKE STD PRESSURE 20" - ALUMINUM HANDRIM
	1	ST-02953	PROPULSION WHEEL SPOKE STD PRESSURE 20" - PLASTIC COATED HANDRIM
	1	ST-02825	PROPULSION WHEEL SPOKE STD PRESSURE 22" - ALUMINUM HANDRIM
	1	ST-02954	PROPULSION WHEEL SPOKE STD PRESSURE 22" - PLASTIC COATED HANDRIM
	1	ST-02826	PROPULSION WHEEL SPOKE STD PRESSURE 24" - ALUMINUM HANDRIM
	1	ST-02955	PROPULSION WHEEL SPOKE STD PRESSURE 24" - PLASTIC COATED HANDRIM
	1	ST-02607	PROPULSION WHEEL MAG URETHANE 20" - ALUMINUM HANDRIM
	1	ST-02983	PROPULSION WHEEL MAG URETHANE 20" - PLASTIC COATED HANDRIM
	1	ST-02608	PROPULSION WHEEL MAG URETHANE 22" - ALUMINUM HANDRIM
	1	ST-02984	PROPULSION WHEEL MAG URETHANE 22" - PLASTIC COATED HANDRIM
	1	ST-02612	PROPULSION WHEEL MAG URETHANE 24" - ALUMINUM HANDRIM
	1	ST-02985	PROPULSION WHEEL MAG URETHANE 24" - PLASTIC COATED HANDRIM
	1	ST-02582	PROPULSION WHEEL MAG STD PRESSURE 20" - ALUMINUM HANDRIM
	1	ST-02977	PROPULSION WHEEL MAG STD PRESSURE 20" - PLASTIC COATED HANDRIM
	1	ST-02583	PROPULSION WHEEL MAG STD PRESSURE 22" - ALUMINUM HANDRIM
	1	ST-02978	PROPULSION WHEEL MAG STD PRESSURE 22" - PLASTIC COATED HANDRIM
	1	ST-02586	PROPULSION WHEEL MAG STD PRESSURE 24" - ALUMINUM HANDRIM
	1	ST-02979	PROPULSION WHEEL MAG STD PRESSURE 24" - PLASTIC COATED HANDRIM

NO.	QTY	DRAWING NO.	DESCRIPTION
	1	PH-05799	3/4-16 THREADED WHEEL AXLE FOR NEOX
	2	ST-02587	FLAT WASHER "NORD LOCK" Ø3/4
	3	ST-02793	JAM NUT Ø3/4-16
4	1	ST-03186	URETHANE TIRE 20"
	1	ST-03187	URETHANE TIRE 22"
	1	ST-03188	URETHANE TIRE 24"
	1	ST-03817	STANDARD PRESSURE TIRE 20"
	1	ST-03818	STANDARD PRESSURE TIRE 22"
	1	ST-03819	STANDARD PRESSURE TIRE 24"
5	1	ST-03210	PLASTIC HANDRIM 4 HOLES FOR 20" SPOKE
	1	ST-03212	PLASTIC HANDRIM 6 HOLES FOR 22" SPOKE
	1	ST-03213	PLASTIC HANDRIM 6 HOLES FOR 24" SPOKE
	1	ST-03814	ALUMINUM HANDRIM 6 HOLES FOR 20" SPOKE
	1	ST-52085	ALUMINUM HANDRIM 6 HOLES FOR 22" SPOKE
	1	ST-52086	ALUMINUM HANDRIM 6 HOLES FOR 24" SPOKE
	1	ST-03821	PLASTIC HANDRIM 6 HOLES FOR 20" MAG
	1	ST-52822	PLASTIC HANDRIM 6 HOLES FOR 22" MAG
	1	ST-52823	PLASTIC HANDRIM 6 HOLES FOR 24" MAG
	1	ST-52826	ALUMINUM HANDRIM 6 HOLES FOR 20" MAG
	1	ST-52827	ALUMINUM HANDRIM 8 HOLES FOR 22" MAG
	1	ST-52828	ALUMINUM HANDRIM 8 HOLES FOR 24" MAG

**PROPULSION WHEEL**

NO.	QTY	DRAWING NO.	DESCRIPTION
5	1	ST-52113	NATURAL FIT 20" THUMB STD.
	1	ST-52115	NATURAL FIT 22" THUMB STD.
	1	ST-52117	NATURAL FIT 24" THUMB STD.
6	1	ST-03727	QUICK RELEASE AXLE Ø12.7MMX92.42MM
	1	ST-52901*	HEXAGONAL HEAD CAP SCREW SS Ø1/2-13X4 (THREADED AXLE)
7	1	ST-03810	20" SPOKE WHEEL
	1	ST-03811	22" SPOKE WHEEL
	1	ST-03812	24" SPOKE WHEEL
	1	ST-03837	20" MAG WHEEL
	1	ST-03838	22" MAG WHEEL
	1	ST-03839	24" MAG WHEEL

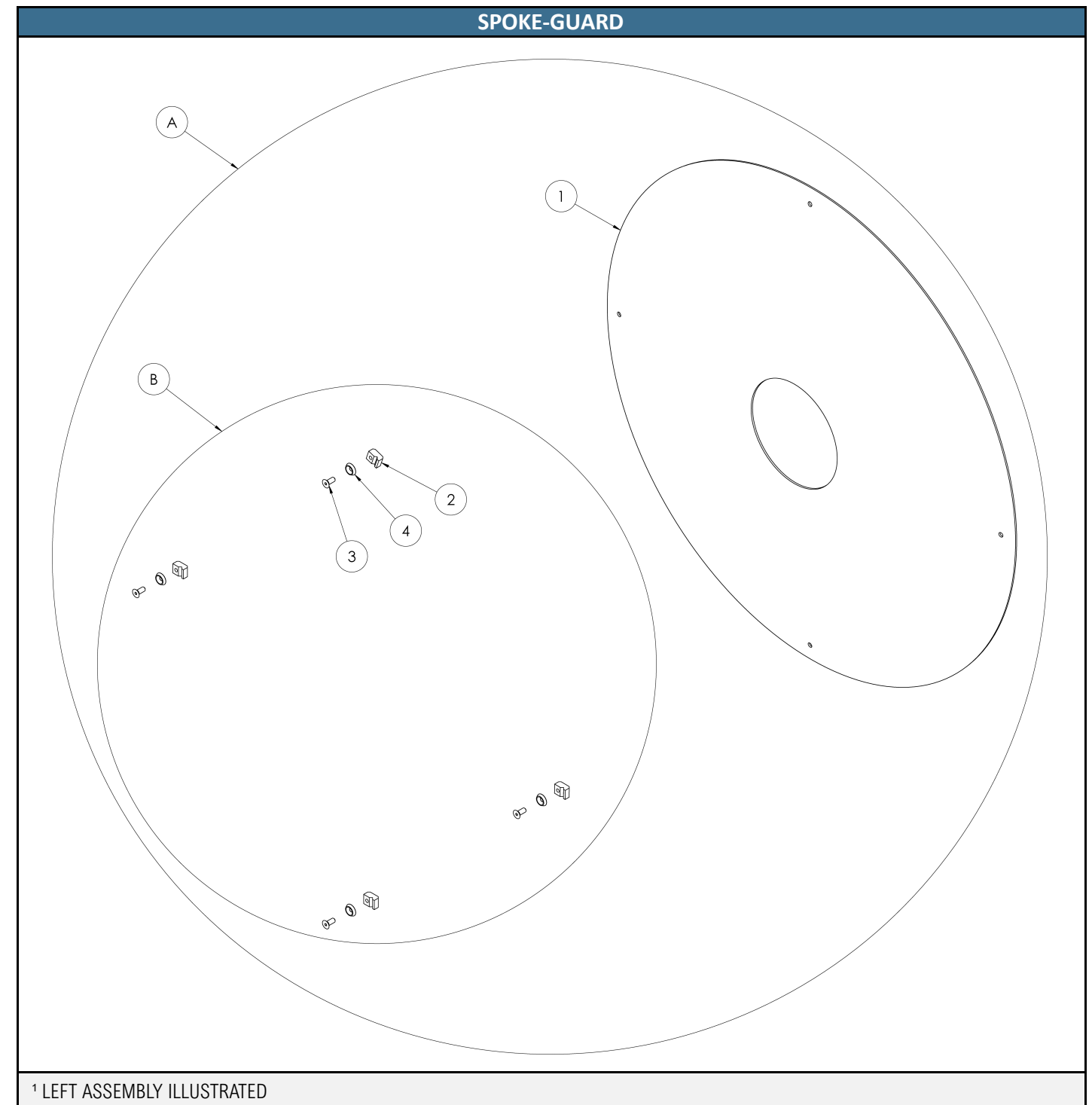
\* ST-00293 (LOCK NUT Ø1/2-13) USED WITH ST-52130 (REFERENCE #2)



**SPOKE-GUARD**

NO.	QTY	DRAWING NO.	DESCRIPTION
A	1	NX46-20	20" TRANSPARENT SPOKE- GUARD
	1	NX46-22	22" TRANSPARENT SPOKE- GUARD
	1	NX46-24	24" TRANSPARENT SPOKE- GUARD
B	1	PH-05227	SPOKE CLIP KIT 8 PIECES

NO.	QTY	DRAWING NO.	DESCRIPTION
1	1	19-00002	SPOKE GUARD 20"
	1	19-00003	SPOKE GUARD 22"
	1	19-00004	SPOKE GUARD 24"
2	4	PH-03025	SPOKE CLIP
3	4	ST-50413	FLAT HEAD CAP SCREW B0 M4X0.7X10
4	4	ST-52841	COUNTERSUNK FINISHING WASHER Ø7/16



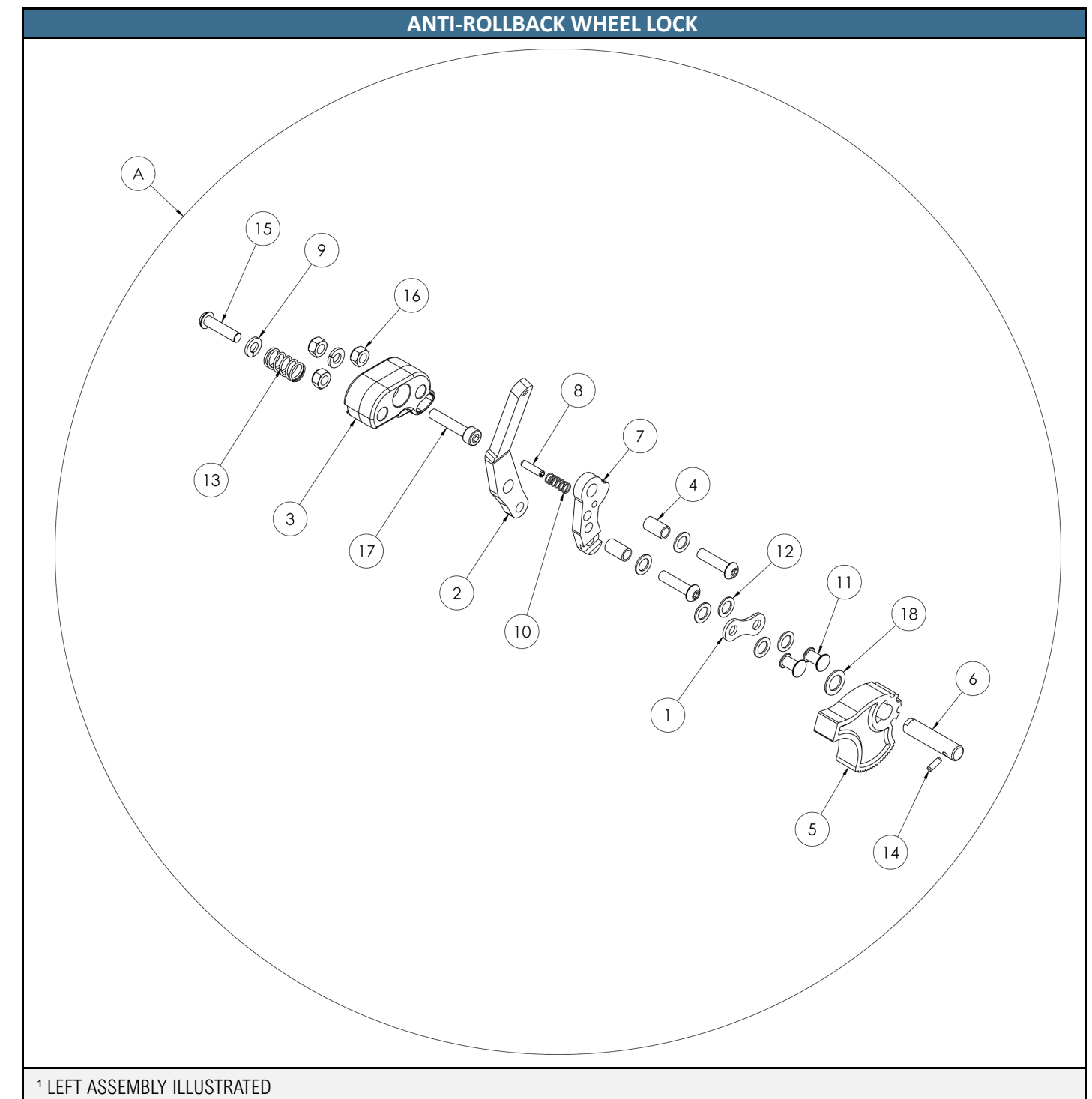
1 LEFT ASSEMBLY ILLUSTRATED



## ANTI-ROLLBACK WHEEL LOCK

NO.	QTY	DRAWING NO.	DESCRIPTION
A	1	PH-05615-L	LEFT WHEEL LOCK
	1	PH-05615-R	RIGHT WHEEL LOCK

NO.	QTY	DRAWING NO.	DESCRIPTION
1	1	PH-02281A	LINK
2	1	PH-02281B	LEFT HANDLE
	1	PH-02281BR	RIGHT HANDLE
3	1	PH-02281D	BRAKE SOLID FRAME LEFT
	1	PH-02281DR	BRAKE SOLID FRAME RIGHT
4	2	PH-05390	BRAKE BUSHING
5	1	PH-05613	ANTI-KICKBACK BRAKE CAM
6	1	PH-05614	WHEEL LOCK SHAFT
7	1	PH-05843-L	LEFT ANTI-KICKBACK BRAKE MEMBER
	1	PH-05843-R	RIGHT ANTI-KICKBACK BRAKE MEMBER
8	1	ST-01031	SPRING PIN Ø5/32 X 5/8
9	2	ST-01640	LOCK WASHER ZI Ø1/4
10	1	ST-02695	COMPRESSION SPRING Ø1/4X0.596X0.023
11	2	ST-03180	OVAL HEAD TUBULAR RIVET 1/4" X 1/2"(7/16"HEAD DIA.)
12	6	ST-03273	NYLON FLAT WASHER Ø0.315
13	1	ST-03797	COMPRESSION SPRING Ø0.48X0.875X0.045
14	1	ST-03798	DOWEL PIN Ø1/8X3/8
15	3	ST-50118	BUTTON HEAD CAP SCREW SS M6X1.0X25
16	3	ST-50284	LOCK NUT ZI M6X1.0
17	1	ST-51484	SOCKET SCREW SS M6X1.0X30
18	1	ST-52891	FLAT WASHER SS Ø0.39

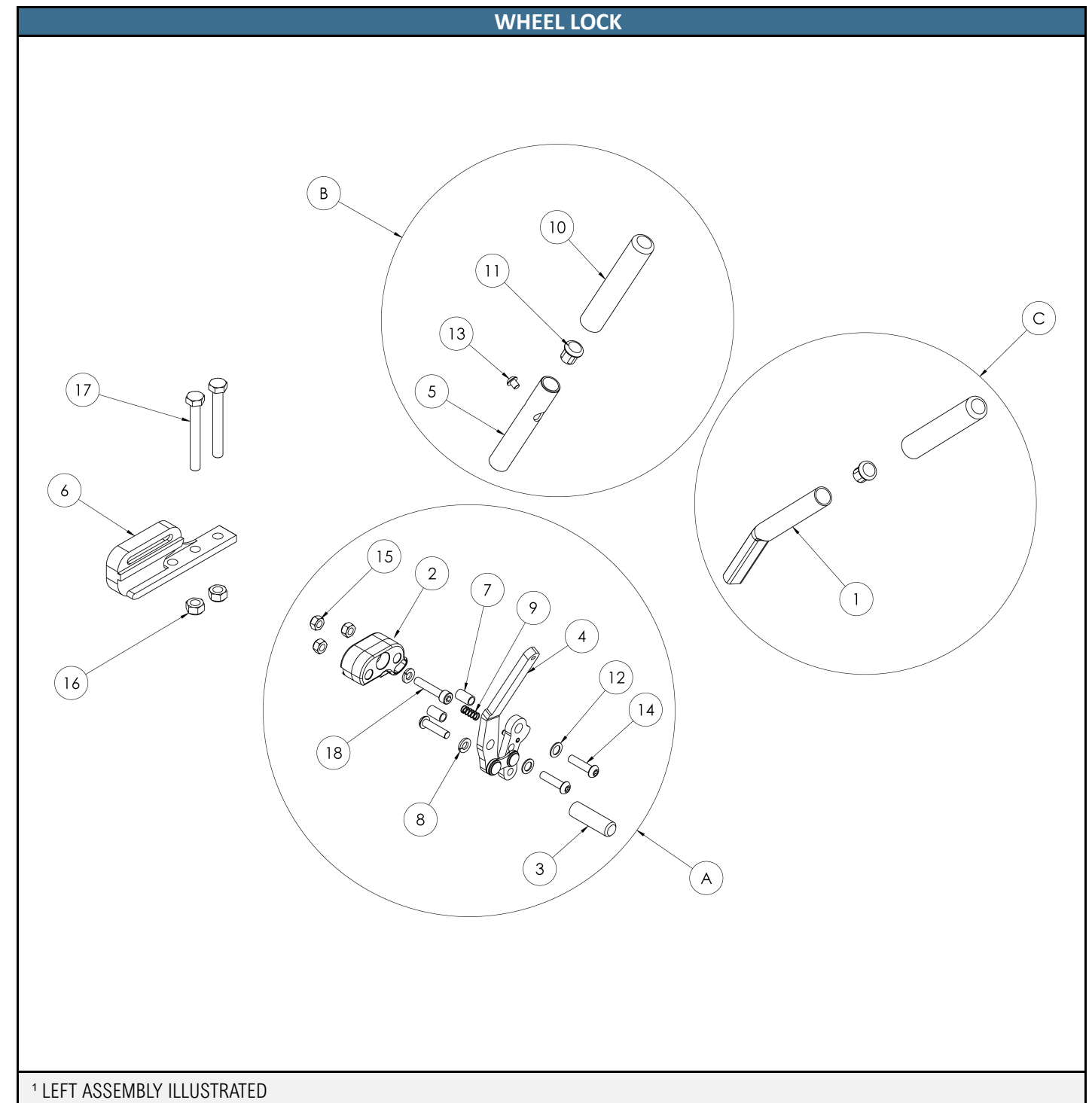


**WHEEL LOCK**

NO.	QTY	DRAWING NO.	DESCRIPTION
A	1	PH-02281	LEFT PUSH BRAKE ASSEMBLY
	1	PH-02281R	RIGHT PUSH BRAKE ASSEMBLY
	1	PH-03439	LEFT PULL BRAKE
	1	PH-03440	RIGHT PULL BRAKE
B	1	PH-02536	BRAKE EXTENTION HANDLE
C	1	05-00003	FIXED BRAKE EXTENSION HANDLE

NO.	QTY	DRAWING NO.	DESCRIPTION
1	1	PH-00692	LEVER EXTENSION HANDLE
2	1	PH-02281DR	BRAKE SOLID FRAME RIGHT
	1	PH-02281D	BRAKE SOLID FRAME LEFT
3	1	PH-02281E	BRAKE ROUND BAR
4	1	PH-02281I	LEFT PUSH BRAKE HANDLE
	1	PH-02281J	RIGHT PUSH BRAKE HANDLE
5	1	PH-03974	TELESCOPIC HANDLE BRAKE EXTENSION
6	1	PH-04944	LEFT NEOX BRAKE BRACKET
	1	PH-04945	RIGHT NEOX BRAKE BRACKET
7	2	PH-05390	BRAKE BUSHING
8	2	ST-01640	LOCK WASHER ZI Ø1/4
9	1	ST-01640	LOCK WASHER ZI Ø1/4
10	2	ST-02695	COMPRESSION SPRING Ø1/4X0.596X0.023
11	1	ST-02701	BLACK SOFT TEXTURE VINYL GRIPS Ø0.625X4
12	2	ST-03130	PLASTIC CAP Ø5/8
13	1	ST-03273	NYLON FLAT WASHER Ø0.315
14	3	ST-50055	BUTTON HEAD CAP SCREW SS M5X0.8X6
15	2	ST-50279	LOCK NUT SS M8X1.25
16	3	ST-50284	LOCK NUT ZI M6X1.0
17	2	ST-50958	HEXAGONAL HEAD CAP SCREW SS M8X1.25X65
18	1	ST-51484	SOCKET SCREW SS M6X1.0X30

\* USED WITH 6 WHEELS, DEPENDING ON DEPTH AND DRIVE WHEEL SIZE

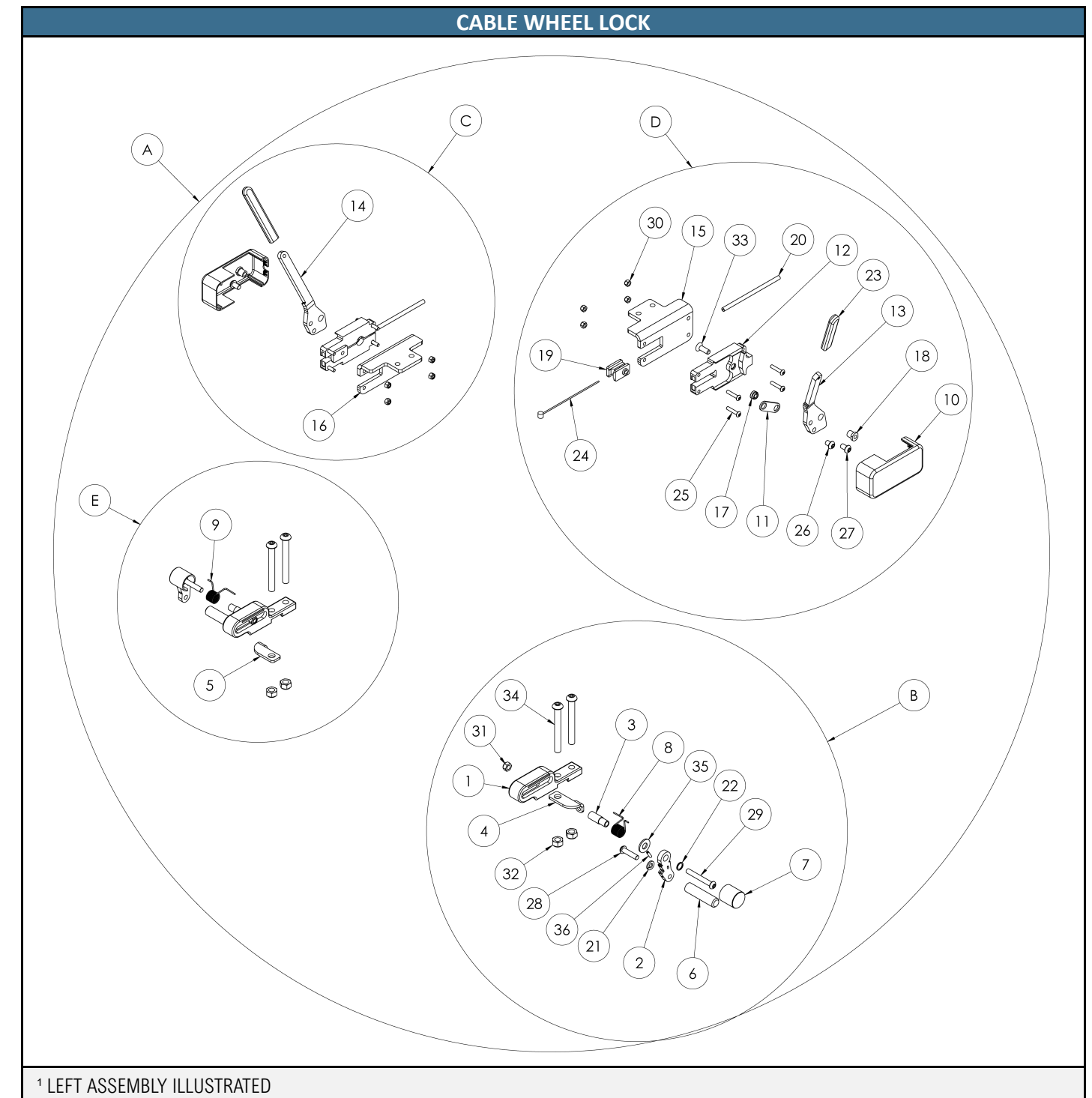


\* LEFT ASSEMBLY ILLUSTRATED

**CABLE WHEEL LOCK**

NO.	QTY	DRAWING NO.	DESCRIPTION
A	1	PH-05914	NEOX CABLE BRAKE
B	1	PH-05579-L	LEFT BOTTOM CABLE BRAKE ASSEMBLY
C	1	PH-05579-R	RIGHT BOTTOM CABLE BRAKE ASSEMBLY
D	1	PH-05589-L	LEFT HIGH CABLE BRAKE ASSEMBLY
E	1	PH-05589-R	RIGHT HIGH CABLE BRAKE ASSEMBLY

NO.	QTY	DRAWING NO.	DESCRIPTION
1	1	PH-05559	BOTTOM BRAKE BLOCK
2	1	PH-05560	BOTTOM BRAKE PIVOT ARM
3	1	PH-05574	BOTTOM BRAKE ARM SPACER
4	1	PH-05575-L	LEFT BRAKE CABLE SUPPORT
5	1	PH-05575-R	RIGHT BRAKE CABLE SUPPORT
6	2	PH-05576	BRAKE ROUND BAR
7	2	PH-05577	BOTTOM BRAKE SPRING CAP
8	1	PH-05578-L	LEFT BOTTOM CABLE BRAKE SPRING
9	1	PH-05578-R	RIGHT BOTTOM CABLE BRAKE SPRING
10	2	PH-05580	LINEAR BRAKE CAP
11	2	PH-05581	LINEAR BRAKE PLATE
12	2	PH-05582	LINEAR BRAKE BLOCK
13	1	PH-05583-L	LEFT BRAKE HANDLE
14	1	PH-05583-R	RIGHT BRAKE HANDLE
15	1	PH-05584-L	LEFT BRAKE SUPPORT PLATE
16	1	PH-05584-R	RIGHT BRAKE SUPPORT PLATE
17	2	PH-05585	HIGH BRAKE SHORT SOCKET
18	2	PH-05586	HIGH BRAKE SHOCKET
19	2	PH-05587	BRAKE CABLE SLIDER
20	2	PH-05673	BLACK BRAKE HOSE
21	2	ST-01640	LOCK WASHER ZI Ø1/4
22	2	ST-03076	NYLON FLAT WASHER Ø0.343
23	2	ST-03284	HANDLE LINER
24	2	ST-03808	INOX BRAKE CABLE
25	8	ST-50060	BUTTON HEAD CAP SCREW SS M5X0.8X20
26	2	ST-50111	BUTTON HEAD CAP SCREW SS M6X1.0X8
27	2	ST-50112	BUTTON HEAD CAP SCREW SS M6X1.0X10
28	2	ST-50118	BUTTON HEAD CAP SCREW SS M6X1.0X25
29	2	ST-50122	BUTTON HEAD CAP SCREW SS M6X1.0X45
30	8	ST-50283	LOCK NUT ZI M5X0.8
31	2	ST-50284	LOCK NUT ZI M6X1.0
32	4	ST-50285	LOCK NUT ZI M8X1.25
33	2	ST-52013	FLAT HEAD CAP SCREW SS M6X1.0X18
34	4	ST-52867	BUTTON HEAD CAP SCREW SS M8X1.25X70
35	2	ST-52888	NYLON FLAT WASHER Ø0.340
36	2	ST-52889	SET SCREW CUP POINT ZI M3X0.5X12

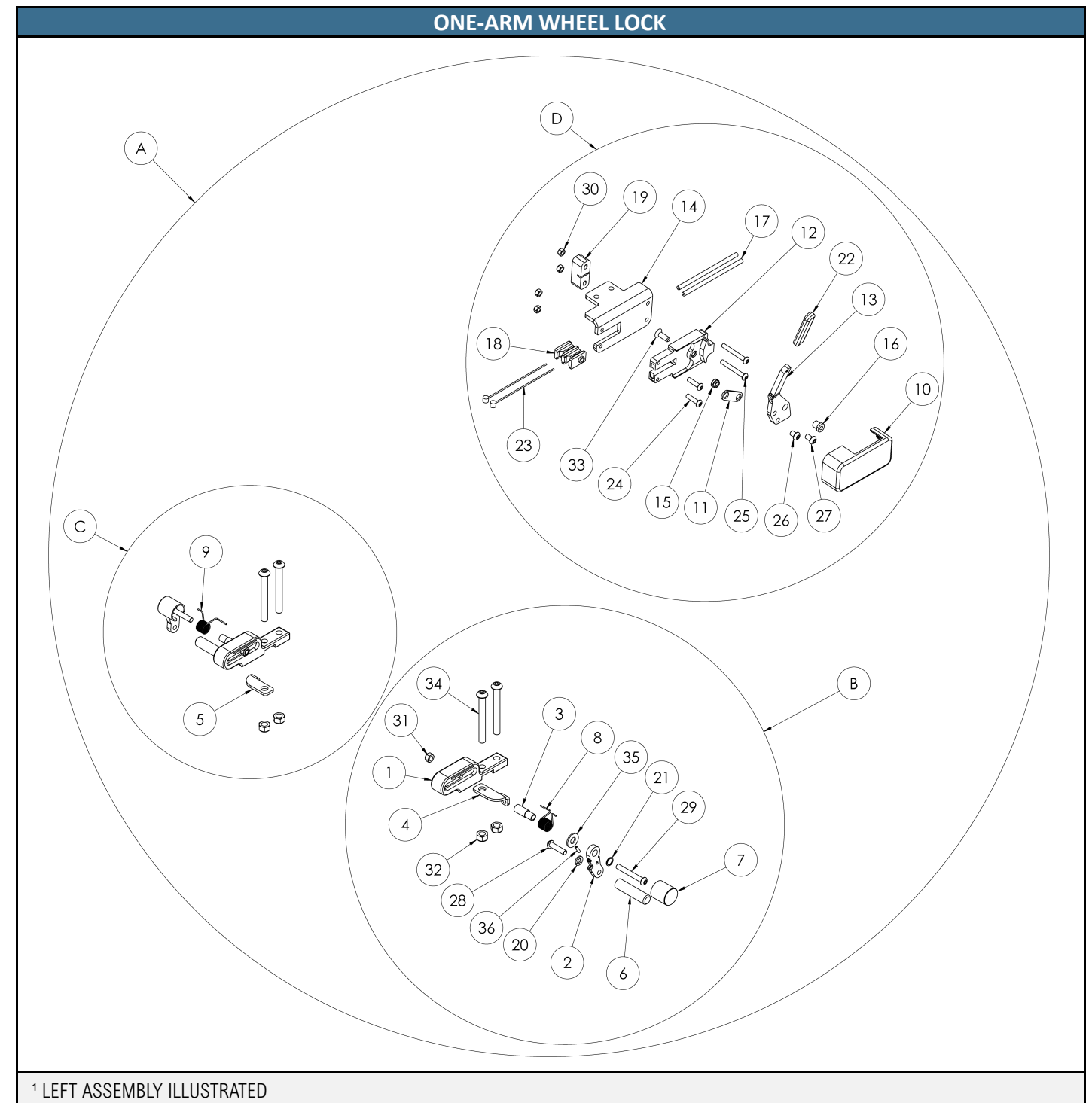


1 LEFT ASSEMBLY ILLUSTRATED

**ONE-ARM WHEEL LOCK**

NO.	QTY	DRAWING NO.	DESCRIPTION
A	1	PH-05916-L	NEOX LEFT ONE-ARM PARK BRAKE
	1	PH-05916-R	NEOX RIGHT ONE-ARM PARK BRAKE
B	1	PH-05579-L	LEFT BOTTOM CABLE BRAKE ASSEMBLY
C	1	PH-05579-R	RIGHT BOTTOM CABLE BRAKE ASSEMBLY
D	1	PH-05915-L	NEOX ONE-SIDED LEFT BRAKE ASSEMBLY WITH HANDLE
	1	PH-05915-R	NEOX ONE-SIDED RIGHT BRAKE ASSEMBLY WITH HANDLE

NO.	QTY	DRAWING NO.	DESCRIPTION
1	2	PH-05559	BOTTOM BRAKE BLOCK
2	2	PH-05560	BOTTOM BRAKE PIVOT ARM
3	2	PH-05574	BOTTOM BRAKE ARM SPACER
4	1	PH-05575-L	LEFT BRAKE CABLE SUPPORT
5	1	PH-05575-R	RIGHT BRAKE CABLE SUPPORT
6	2	PH-05576	BRAKE ROUND BAR
7	2	PH-05577	BOTTOM BRAKE SPRING CAP
8	1	PH-05578-L	LEFT BOTTOM CABLE BRAKE SPRING
9	1	PH-05578-R	RIGHT BOTTOM CABLE BRAKE SPRING
10	1	PH-05580	LINEAR BRAKE CAP
11	1	PH-05581	LINEAR BRAKE PLATE
12	1	PH-05582	LINEAR BRAKE BLOCK
13	1	PH-05583-L	LEFT BRAKE HANDLE
	1	PH-05583-R	RIGHT BRAKE HANDLE
14	1	PH-05584-L	LEFT BRAKE SUPPORT PLATE
	1	PH-05584-R	RIGHT BRAKE SUPPORT PLATE
15	1	PH-05585	HIGH BRAKE SHORT SOCKET
16	1	PH-05586	HIGH BRAKE SHOCKET
17	2	PH-05673	BLACK BRAKE HOSE
18	1	PH-05753	SLIDE FOR ONE-SIDED BRAKE UPPER PART
19	1	PH-05754	SINGLE-SIDED BRAKE CABLE SUPPORT BLOCK
20	2	ST-01640	LOCK WASHER ZI Ø1/4
21	2	ST-03076	NYLON FLAT WASHER Ø0.343
22	1	ST-03284	HANDLE LINER
23	2	ST-03808	INOX BRAKE CABLE
24	2	ST-50060	BUTTON HEAD CAP SCREW SS M5X0.8X20
25	2	ST-50065	BUTTON HEAD CAP SCREW SS M5X0.8X40
26	1	ST-50111	BUTTON HEAD CAP SCREW SS M6X1.0X8
27	1	ST-50112	BUTTON HEAD CAP SCREW SS M6X1.0X10
28	2	ST-50118	BUTTON HEAD CAP SCREW SS M6X1.0X25
29	2	ST-50122	BUTTON HEAD CAP SCREW SS M6X1.0X45
30	4	ST-50283	LOCK NUT ZI M5X0.8
31	2	ST-50284	LOCK NUT ZI M6X1.0
32	4	ST-50285	LOCK NUT ZI M8X1.25
33	1	ST-52013	FLAT HEAD CAP SCREW SS M6X1.0X18
34	4	ST-52867	BUTTON HEAD CAP SCREW SS M8X1.25X70
35	2	ST-52888	NYLON FLAT WASHER Ø0.340
36	2	ST-52889	SET SCREW CUP POINT ZI M3X0.5X12

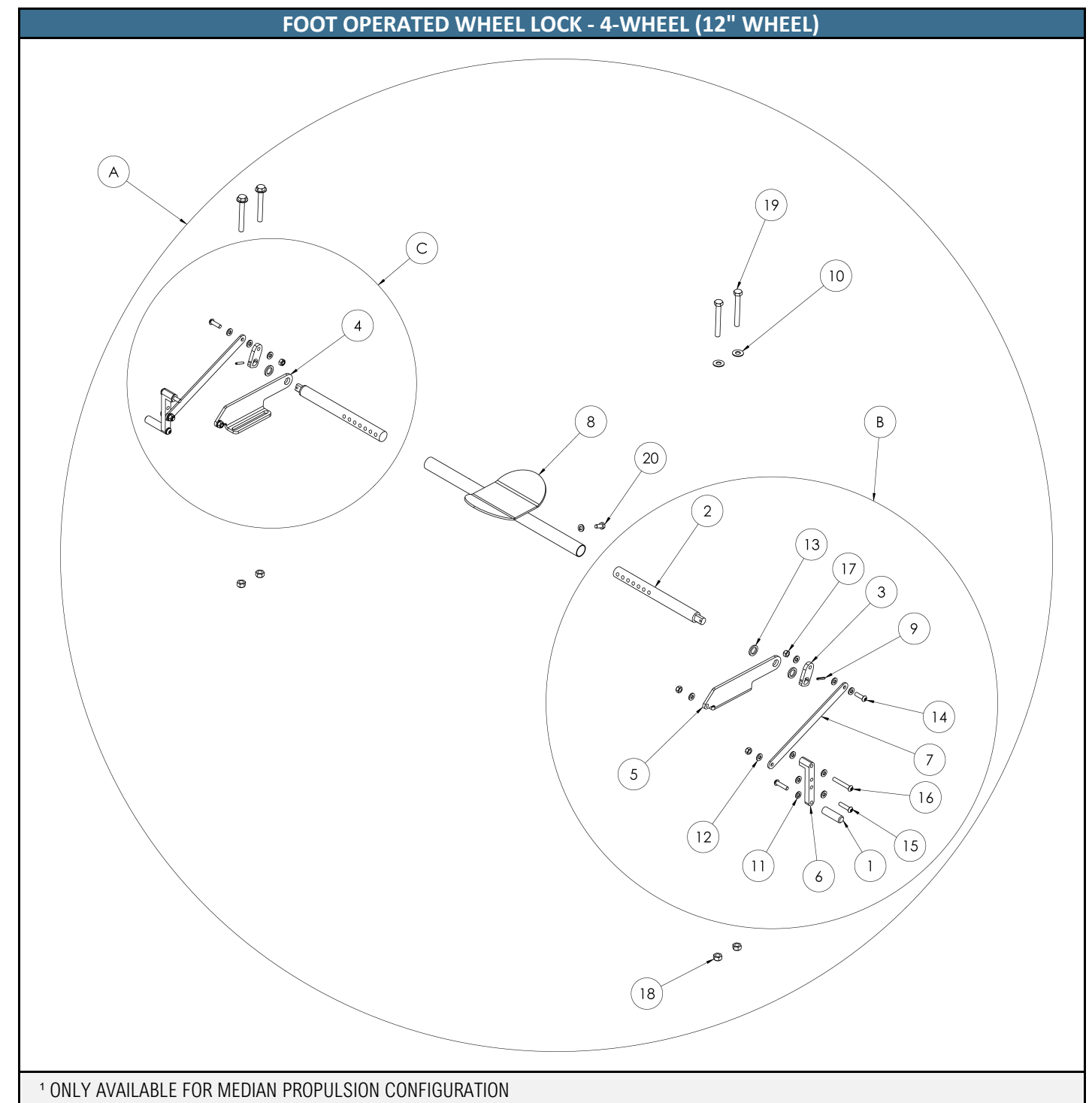


<sup>1</sup> LEFT ASSEMBLY ILLUSTRATED

### FOOT OPERATED WHEEL LOCK - 4-WHEEL (12" WHEEL)

NO.	QTY	DRAWING NO.	DESCRIPTION
A	1	05-00019-C14	FOOT BRAKE NEOX & DYNAMIC 4 WHEEL 14" TO 19" (12" WHEEL)
	1	05-00019-C20	FOOT BRAKE NEOX & DYNAMIC 4 WHEEL 20" TO 26" (12" WHEEL)
B	1	PH-05300-L	PRE-ASSEMBLY ATTENDANT WHEEL LOCK NEOX AND DYNAMIC 4 WHEEL LEFT
C	1	PH-05300-R	PRE-ASSEMBLY ATTENDANT WHEEL LOCK NEOX AND DYNAMIC 4 WHEEL RIGHT

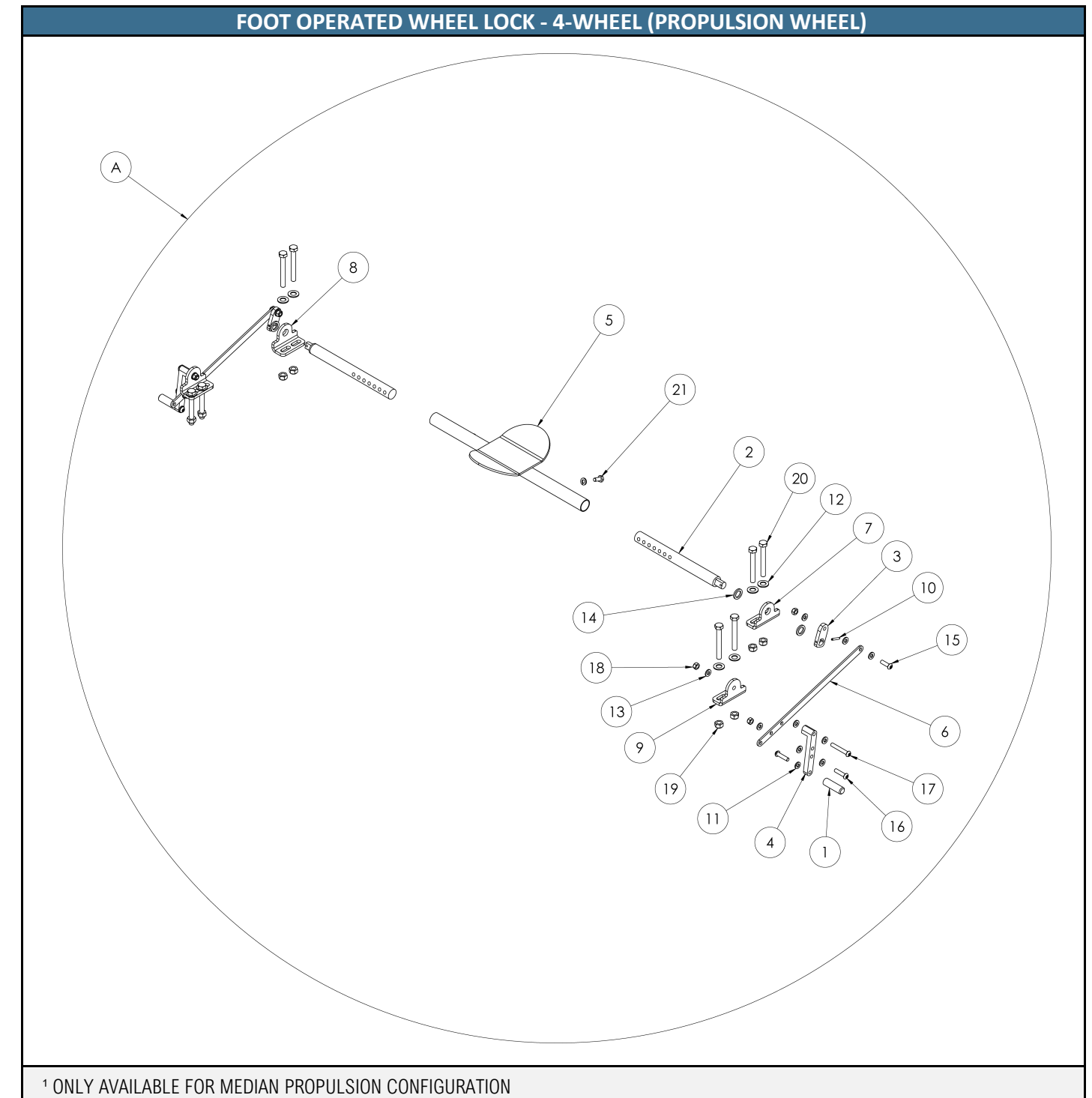
NO.	QTY	DRAWING NO.	DESCRIPTION
1	2	PH-02281E	BRAKE ROUND BAR
2	2	PH-03521	FRAME ADJUSTMENT ROD
3	2	PH-03522	CONNECTING PIVOT ARM (4 WHEEL)
4	1	PH-03523DR	CONNECTING ARM PLATE RIGHT
5	1	PH-03523GA	CONNECTION ARM PLATE LEFT
6	2	PH-03524-C4	LEVER ARM FOR NEOX 4 WHEEL, DYNAMIC 4 WHEEL / 6 WHEEL
7	2	PH-03526	JUNCTION BAR
8	1	PH-03528	FOOT PEDAL 14" TO 20"
	1	PH-03591	FOOT PEDAL 20" TO 26"
9	2	ST-00997	SPRING PIN Ø1/8X3/4
10	4	ST-01577	FLAT WASHER SS Ø0.3125
11	4	ST-01640	LOCK WASHER ZI Ø1/4
12	18	ST-02575	PLASTIC FLAT WASHER Ø1/4
13	4	ST-03071	FLAT WASHER NYLON Ø1/2
14	2	ST-50117	BUTTON HEAD CAP SCREW SS M6X1.0X20
15	4	ST-50118	BUTTON HEAD CAP SCREW SS M6X1.0X25
16	2	ST-50121	BUTTON HEAD CAP SCREW SS M6X1.0X40
17	6	ST-50284	LOCK NUT ZI M6X1.0
18	4	ST-50285	LOCK NUT ZI M8X1.25
19	4	ST-50958	HEXAGONAL HEAD CAP SCREW SS M8X1.25X65
20	2	ST-51976	HEXAGONAL SCREW SS M6X10X14



**FOOT OPERATED WHEEL LOCK - 4-WHEEL (PROPULSION WHEEL)**

NO.	QTY	DRAWING NO.	DESCRIPTION
A	1	05-00037-C14	FOOT BRAKE NEOX & DYNAMIC 4 WHEEL 14" TO 19" (20"- 22"- 24" WHEEL)
	1	05-00037-C20	FOOT BRAKE NEOX & DYNAMIC 4 WHEEL 20" TO 26" (20"- 22"- 24" WHEEL)

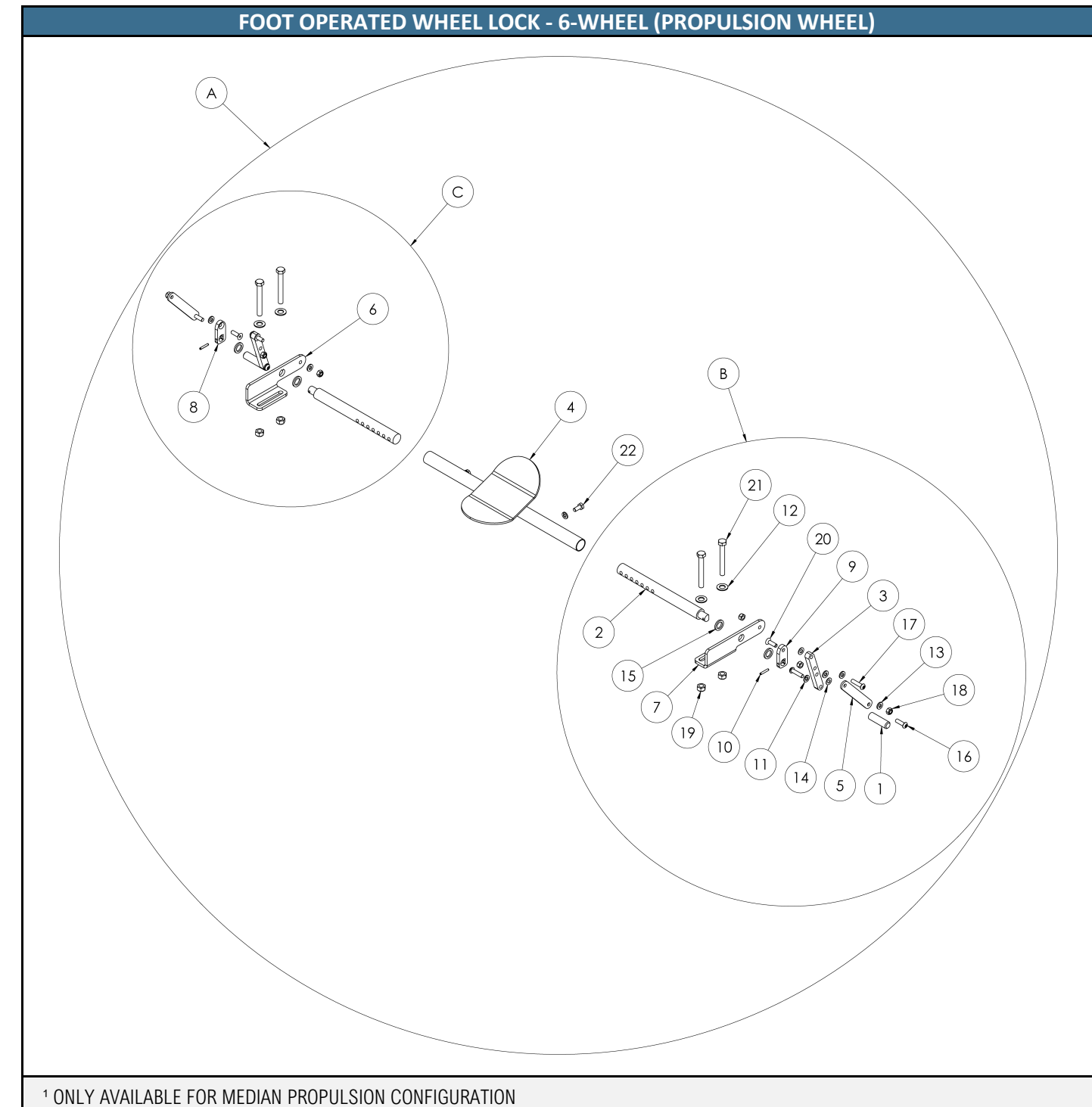
NO.	QTY	DRAWING NO.	DESCRIPTION
1	2	PH-02281E	BRAKE ROUND BAR
2	2	PH-03521	FRAME ADJUSTMENT ROD
3	2	PH-03522	CONNECTING PIVOT ARM (4 WHEEL)
4	2	PH-03524-C4	LEVER ARM FOR NEOX 4 WHEEL, DYNAMIC 4 WHEEL / 6 WHEEL
5	1	PH-03528	FOOT PEDAL 14" TO 20"
	1	PH-03591	FOOT PEDAL 20" TO 26"
6	2	PH-04935	JUNCTION BAR
7	1	PH-04936	ATTACHMENT SUPPORT LEFT
8	1	PH-04937	ATTACHMENT SUPPORT RIGHT
9	2	PH-04938	CONNECTION ARM PLATE
10	2	ST-00997	SPRING PIN Ø1/8X3/4
11	4	ST-01640	LOCK WASHER ZI Ø1/4
12	8	ST-01720	FLAT WASHER SS Ø0.3125
13	18	ST-02575	PLASTIC FLAT WASHER Ø1/4
14	4	ST-03071	FLAT WASHER NYLON Ø1/2
15	2	ST-50117	BUTTON HEAD CAP SCREW SS M6X1.0X20
16	4	ST-50118	BUTTON HEAD CAP SCREW SS M6X1.0X25
17	2	ST-50121	BUTTON HEAD CAP SCREW SS M6X1.0X40
18	6	ST-50284	LOCK NUT ZI M6X1.0
19	8	ST-50285	LOCK NUT ZI M8X1.25
20	8	ST-50958	HEXAGONAL HEAD CAP SCREW SS M8X1.25X65
21	2	ST-51976	HEXAGONAL SCREW SS M6X10X14



**FOOT OPERATED WHEEL LOCK - 6-WHEEL (PROPULSION WHEEL)**

NO.	QTY	DRAWING NO.	DESCRIPTION
A	1	05-00020-C14	FOOT BRAKE NEOX 6 WHEEL 14" TO 19"
	1	05-00020-C20	FOOT BRAKE NEOX 6 WHEEL 20" TO 26"
B	1	PH-05351-L	PRE-ASSEMBLY ATTENDANT WHEEL LOCK NEOX 6 WHEEL LEFT
C	1	PH-05351-R	PRE-ASSEMBLY ATTENDANT WHEEL LOCK NEOX 6 WHEEL RIGHT

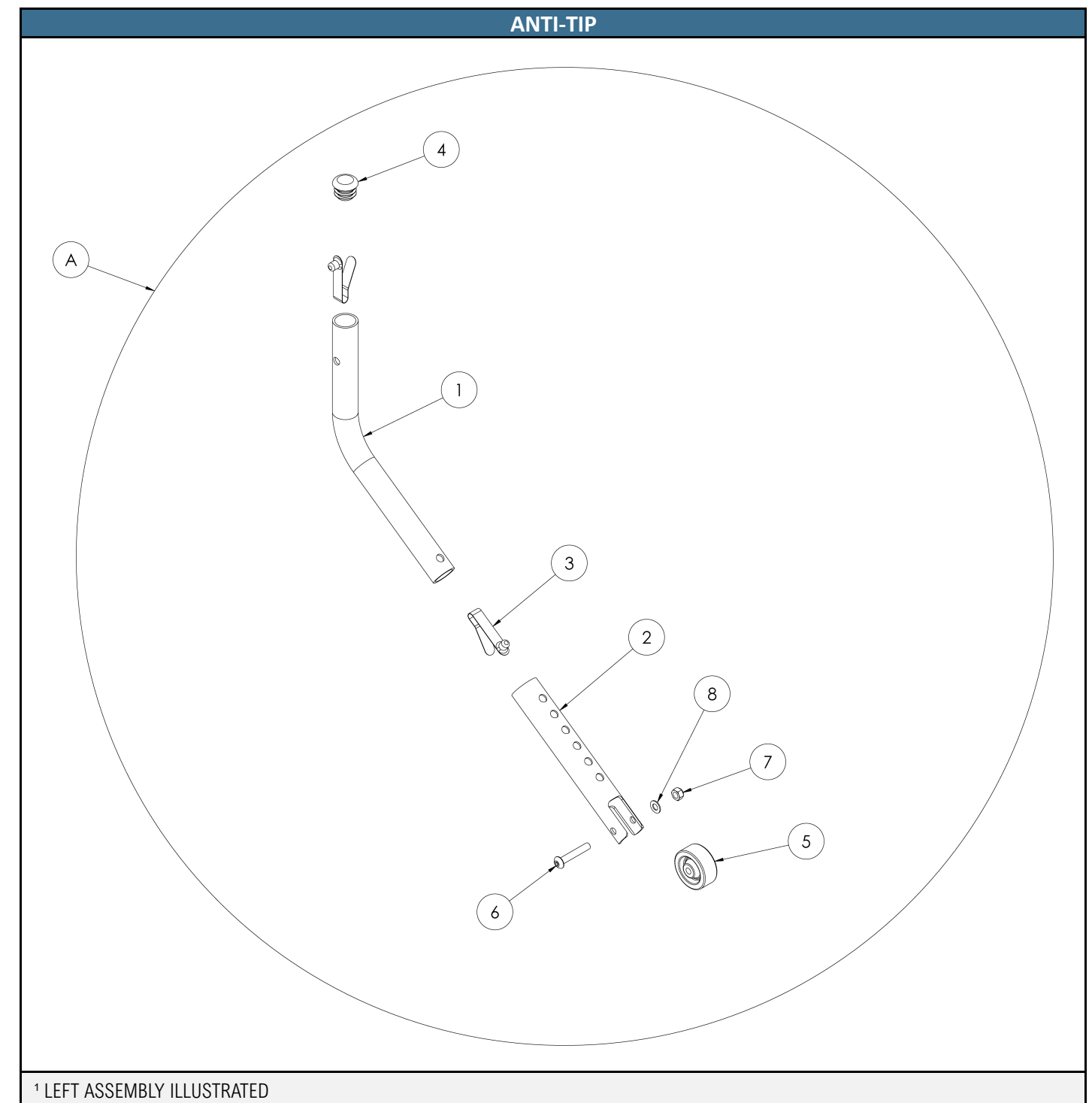
NO.	QTY	DRAWING NO.	DESCRIPTION
1	2	PH-02281E	BRAKE ROUND BAR
2	2	PH-03521	FRAME ADJUSTMENT ROD
3	2	PH-03524-C6	LEVER ARM FOR NEOX 6 WHEEL
4	1	PH-03528	FOOT PEDAL 14" TO 20"
	1	PH-03591	FOOT PEDAL 20" TO 26"
5	2	PH-03530	BRAKE CONNECTING PLATE
6	1	PH-03531DR	RIGHT CONNECTING PLATE
7	1	PH-03531GA	LEFT CONNECTING PLATE
8	1	PH-03532DR	RIGHT CONNECTING PIVOT ARM
9	1	PH-03532GA	LEFT CONNECTING PIVOT ARM
10	2	ST-00997	SPRING PIN Ø1/8X3/4
11	4	ST-01640	LOCK WASHER ZI Ø1/4
12	4	ST-01720	FLAT WASHER SS Ø0.3125
13	8	ST-02575	PLASTIC FLAT WASHER Ø1/4
14	4	ST-03020	PLASTIC FLAT WASHER Ø1/4
15	4	ST-03071	FLAT WASHER NYLON Ø1/2
16	2	ST-50118	BUTTON HEAD CAP SCREW SS M6X1.0X25
17	4	ST-50121	BUTTON HEAD CAP SCREW SS M6X1.0X40
18	6	ST-50284	LOCK NUT ZI M6X1.0
19	4	ST-50285	LOCK NUT ZI M8X1.25
20	2	ST-50547	FLAT HEAD CAP SCREW SS M6X1.0X20
21	4	ST-50958	HEXAGONAL HEAD CAP SCREW SS M8X1.25X65
22	2	ST-51976	HEXAGONAL SCREW SS M6X10X14



**ANTI-TIP**

NO.	QTY	DRAWING NO.	DESCRIPTION
A	1	06-00008	ANTI-TIP NEOX SHORT RIGHT
	1	06-00009	ANTI-TIP NEOX SHORT LEFT
	1	06-00017-L	LEFT SHORT HD ANTI-TIP
	1	06-00017-R	RIGHT SHORT HD ANTI-TIP

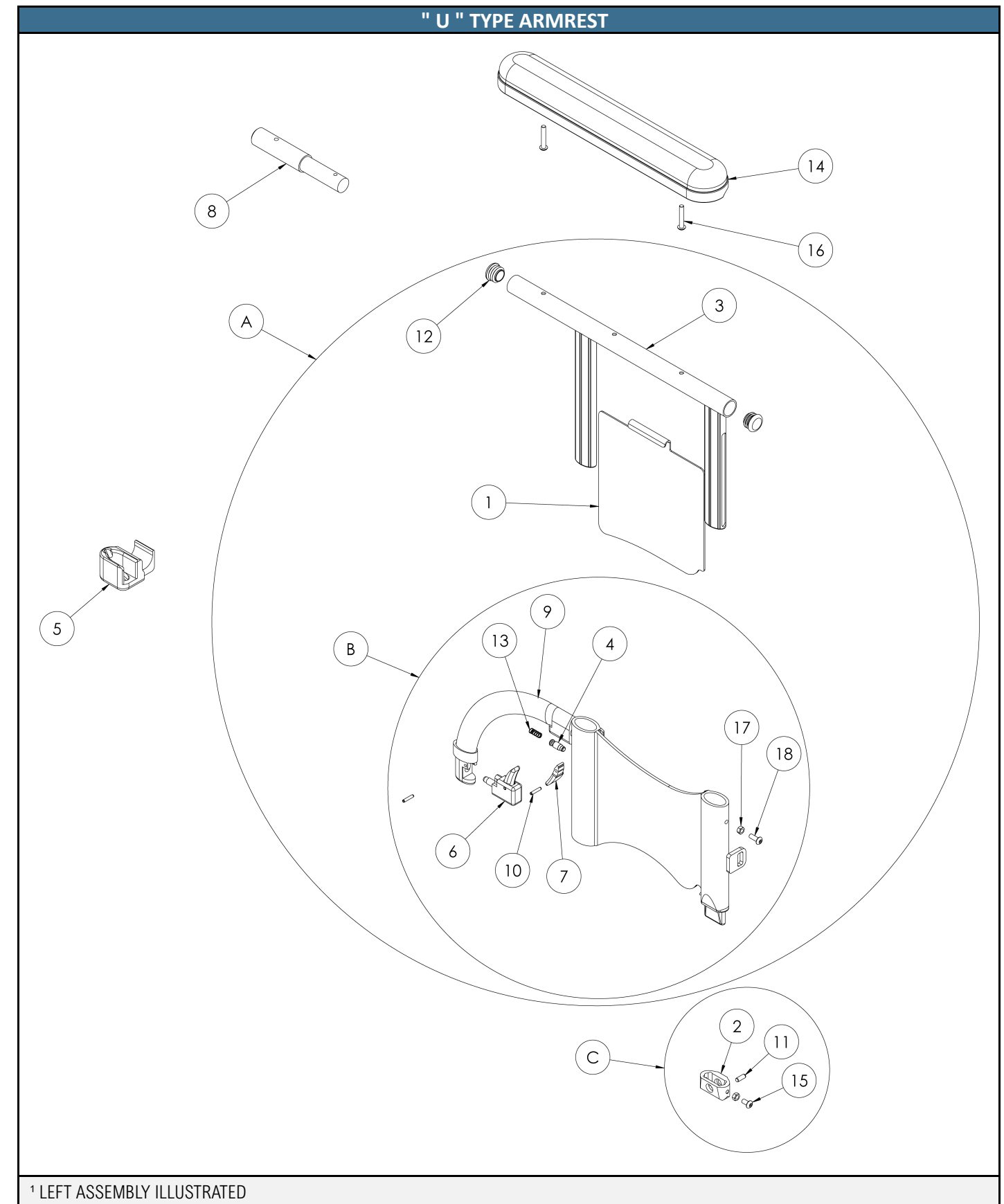
NO.	QTY	DRAWING NO.	DESCRIPTION
1	1	PH-02975	SHORT ANTI-TIP'S TOP TUBE
	1	PH-05803	SHORT HD ANTI-TIP'S TOP TUBE
2	1	PH-02976	SHORT ANTI-TIP'S BOTTOM TUBE
3	2	ST-02617	SNAP BUTTON B-SINGLE TYPE
4	1	ST-02623	PLASTIC CAP Ø3/4
5	1	ST-02998	PLASTIC WHEEL Ø1-1/4"
6	1	ST-50063	BUTTON HEAD CAP SCREW SS M5X0.8X30
7	1	ST-50277	LOCK NUT SS M5X0.8
8	1	ST-51065	FLAT WASHER SS M5





" U " TYPE ARMREST

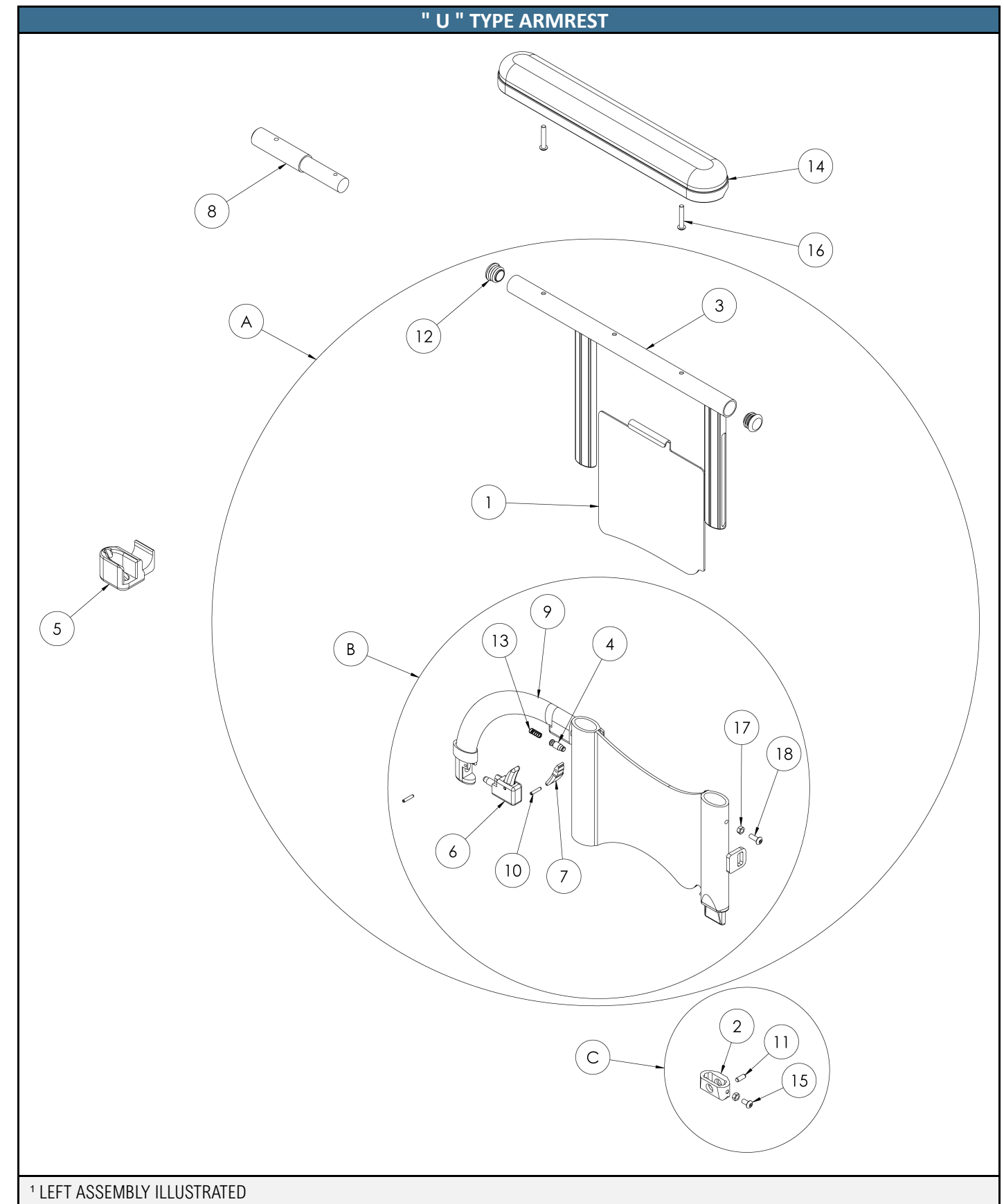
NO.	QTY	DRAWING NO.	DESCRIPTION	
A	1	08-00065	X-MINI LEFT ROBUST "U" ARMREST - WHEELCHAIR DEPTH 12" AND 13"	
	1	08-00066	X-MINI RIGHT ROBUST "U" ARMREST - WHEELCHAIR DEPTH 12" AND 13"	
	1	08-00063	MINI LEFT ROBUST "U" ARMREST - WHEELCHAIR DEPTH 14"	
	1	08-00064	MINI RIGHT ROBUST "U" ARMREST - WHEELCHAIR DEPTH 14"	
	1	08-00057	SMALL LEFT ROBUST "U" ARMREST - WHEELCHAIR DEPTH 15" AND 16"	
	1	08-00058	SMALL RIGHT ROBUST "U" ARMREST - WHEELCHAIR DEPTH 15" AND 16"	
	1	08-00051	MEDIUM LEFT ROBUST "U" ARMREST - WHEELCHAIR DEPTH 17" AND 18"	
	1	08-00052	MEDIUM RIGHT ROBUST "U" ARMREST - WHEELCHAIR DEPTH 17" AND 18"	
	1	08-00053	LONG LEFT ROBUST "U" ARMREST - WHEELCHAIR DEPTH 19" AND +	
	1	08-00054	LONG RIGHT ROBUST "U" ARMREST - WHEELCHAIR DEPTH 19" AND +	
	1	08-00045	SHORT LEFT LOWER "U" ARMREST - WHEELCHAIR DEPTH 15" AND 16"	
	1	08-00046	SHORT RIGHT LOWER "U" ARMREST - WHEELCHAIR DEPTH 15" AND 16"	
	1	08-00047	MEDIUM LEFT LOWER "U" ARMREST - WHEELCHAIR DEPTH 17" AND 18"	
	1	08-00048	MEDIUM RIGHT LOWER "U" ARMREST - WHEELCHAIR DEPTH 17" AND 18"	
	1	08-00049	LONG LEFT LOWER "U" ARMREST - WHEELCHAIR DEPTH 19" AND +	
	1	08-00050	LONG RIGHT LOWER "U" ARMREST - WHEELCHAIR DEPTH 19" AND +	
	B	1	PH-05080GA	LEFT LOWER STANDARD X-MINI "U" ARMREST
		1	PH-05080DR	RIGHT STANDARD LOWER X-MINI "U" ARMREST
		1	PH-05081GA	LEFT LOWER STANDARD MINI "U" ARMREST
		1	PH-05081DR	RIGHT LOWER STANDARD MINI "U" ARMREST
1		PH-05082GA	LEFT LOWER STANDARD SMALL "U" ARMREST	
1		PH-05082DR	RIGHT LOWER STANDARD SMALL "U" ARMREST	
1		PH-05084GA	LEFT LOWER STANDARD MEDIUM "U" ARMREST	
1		PH-05084DR	RIGHT LOWER STANDARD MEDIUM "U" ARMREST	
1		PH-05086GA	LEFT LOWER STANDARD LONG "U" ARMREST	
1		PH-05086DR	RIGHT LOWER STANDARD LONG "U" ARMREST	
1		PH-05083GA	LEFT LOWER LOWERED SMALL "U" ARMREST	
1		PH-05083DR	RIGHT LOWER LOWERED SMALL "U" ARMREST	
1		PH-05085GA	LEFT LOWER LOWERED MEDIUM "U" ARMREST	
1		PH-05085DR	RIGHT LOWER LOWERED MEDIUM "U" ARMREST	
C	1	PH-04821	MORTISE LEFT	
	1	PH-04822	MORTISE RIGHT	



<sup>1</sup> LEFT ASSEMBLY ILLUSTRATED

" U " TYPE ARMREST

NO.	QTY	DRAWING NO.	DESCRIPTION
1	1	PH-02080	LEFT CLOTH PROTECTOR
	1	PH-02081	RIGHT CLOTH PROTECTOR
	1	PH-02985	SHORT LEFT CLOTH PROTECTOR
	1	PH-02986	SHORT RIGHT CLOTH PROTECTOR
	1	PH-03308	LONG LEFT CLOTH PROTECTOR
	1	PH-03309	LONG RIGHT CLOTH PROTECTOR
2	1	PH-02155	MORTISE
3	1	PH-02982	SHORT SLIDE ASSEMBLY
	1	PH-02267	MEDIUM SLIDE ASSEMBLY
	1	PH-03156	LONG SLIDE ASSEMBLY
4	1	PH-02270	ARMREST PLUNGER
5	1	PH-02291	FRONT LEFT ANCHOR
	1	PH-02291R	FRONT RIGHT ANCHOR
6	1	PH-02397	LOWER ARMEST PRE-ASSEMBLED CLIP
7	1	PH-02420B	TRIGGER
8	1	PH-03046	ARMREST EXTENSION
9	1	PH-03733GA	LEFT STANDARD X-MINI "U" ARMREST FRAME
	1	PH-03733DR	RIGHT STANDARD X-MINI "U" ARMREST FRAME
	1	PH-03482	RIGHT STANDARD MINI "U" ARMREST FRAME
	1	PH-03483	LEFT STANDARD MINI "U" ARMREST FRAME
	1	PH-03420	RIGHT STANDARD SMALL "U" ARMREST FRAME
	1	PH-03421	LEFT STANDARD SMALL "U" ARMREST FRAME
	1	PH-03165	RIGHT STANDARD MEDIUM "U" ARMREST FRAME
	1	PH-03166	LEFT STANDARD MEDIUM "U" ARMREST FRAME
	1	PH-03167	RIGHT STANDARD LONG "U" ARMREST FRAME
	1	PH-03168	LEFT STANDARD LONG "U" ARMREST FRAME
	1	PH-02988	LEFT LOWERED SMALL "U" ARMREST FRAME
	1	PH-02989	RIGHT LOWERED SMALL "U" ARMREST FRAME
	1	PH-02983	LEFT LOWERED MEDIUM "U" ARMREST FRAME
	1	PH-02984	RIGHT LOWERED MEDIUM "U" ARMREST FRAME
	1	PH-02990	LEFT LOWERED LONG "U" ARMREST FRAME
	1	PH-02991	RIGHT LOWERED LONG "U" ARMREST FRAME
10	2	ST-00995	SPRING PIN Ø1/8X5/8
11	1	ST-01216	DOWEL PIN SS Ø3/16X1/2
12	2	ST-02624	PLASTIC CAP Ø7/8
13	1	ST-02695	COMPRESSION SPRING Ø1/4X0.596X0.023
14	1	ST-02547	DESK ARMPAD FIRM FOAM - BLACK
	1	ST-02948	FULL ARMPAD FIRM FOAM - BLACK
	1	ST-03753	DESK ARMPAD WATERFALL GEL - BLACK
	1	ST-52143	FULL ARMPAD WATERFALL GEL - BLACK
	1	ST-03816	PROFILED ARMPAD - BLACK
15	1	ST-50057	BUTTON HEAD CAP SCREW SS M5X0.8X10
16	2	ST-50063	BUTTON HEAD CAP SCREW SS M5X0.8X30
	2	ST-50064	BUTTON HEAD CAP SCREW SS M5X0.8X35
17	2	ST-50306	HEXAGONAL NUT ZI M5X0.8
18	1	ST-51997	BUTTON HEAD CAP SCREW SS M5X0.8X14

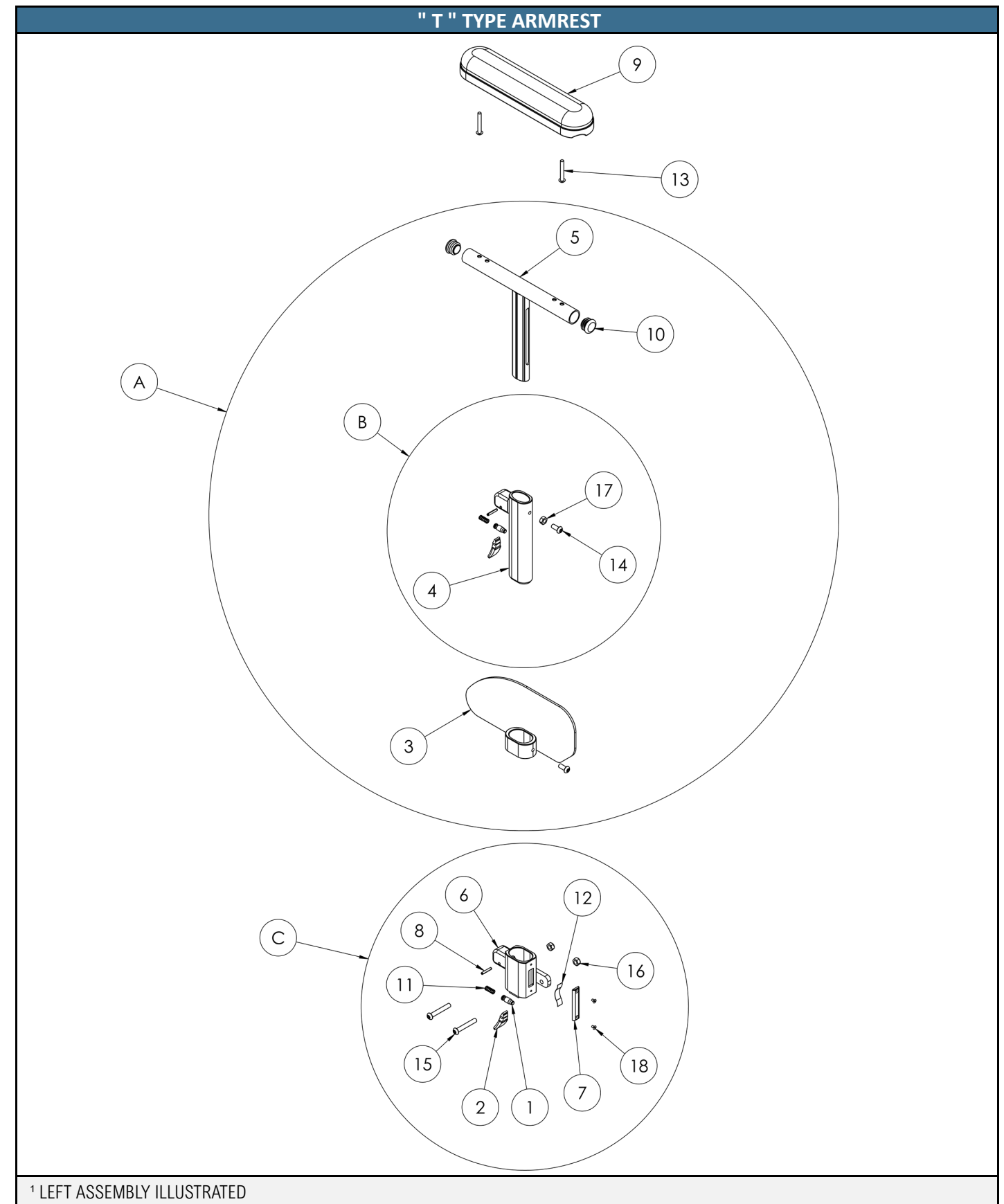


<sup>1</sup> LEFT ASSEMBLY ILLUSTRATED

" T " TYPE ARMREST

NO.	QTY	DRAWING NO.	DESCRIPTION
A	1	08-00092-L	LEFT "T" ARMREST ELEVATED RECEIVER ASSEMBLY SHORT FOAM PAD
	1	08-00092-R	RIGHT "T" ARMREST ELEVATED RECEIVER ASSEMBLY SHORT FOAM PAD
	1	08-00093-L	LEFT "T" ARMREST ELEVATED RECEIVER ASSEMBLY LONG FOAM PAD
	1	08-00093-R	RIGHT "T" ARMREST ELEVATED RECEIVER ASSEMBLY LONG FOAM PAD
	1	08-00094-L	LEFT "T" ARMREST STANDARD RECEIVER ASSEMBLY SHORT FOAM PAD
	1	08-00094-R	RIGHT "T" ARMREST STANDARD RECEIVER ASSEMBLY SHORT FOAM PAD
	1	08-00095-L	LEFT "T" ARMREST STANDARD RECEIVER ASSEMBLY LONG FOAM PAD
	1	08-00095-R	RIGHT "T" ARMREST STANDARD RECEIVER ASSEMBLY LONG FOAM PAD
	1	08-00096-L	LEFT "T" ARMREST LOWERED HEIGHT RECEIVER ASSEMBLY SHORT FOAM PAD
	1	08-00096-R	RIGHT "T" ARMREST LOWERED HEIGHT RECEIVER ASSEMBLY SHORT FOAM PAD
	1	08-00097-L	LEFT "T" ARMREST LOWERED HEIGHT RECEIVER ASSEMBLY LONG FOAM PAD
	1	08-00097-R	RIGHT "T" ARMREST LOWERED HEIGHT RECEIVER ASSEMBLY LONG FOAM PAD
B	1	08-00089S	"T" ARMREST RECEIVER ASSEMBLY SMALL
	1	08-00089M	"T" ARMREST RECEIVER ASSEMBLY MEDIUM
	1	08-00089L	"T" ARMREST RECEIVER ASSEMBLY LARGE
C	1	PH-05526-L	LEFT STANDARD "T" ARMREST BRACKET ASSEMBLY
	1	PH-05526-R	RIGHT STANDARD "T" ARMREST BRACKET ASSEMBLY

NO.	QTY	DRAWING NO.	DESCRIPTION
1	2	PH-02270	ARMREST PLUNGER
2	2	PH-02420B	TRIGGER
3	1	PH-04446L	CLOTHES PROTECTOR STD "T" ARMREST LEFT
	1	PH-04446R	CLOTHES PROTECTOR STD "T" ARMREST RIGHT
4	1	PH-04613S	"T" ARMREST RECEIVER SMALL
	1	PH-04613M	"T" ARMREST RECEIVER MEDIUM
	1	PH-04613L	"T" ARMREST RECEIVER LARGE
5	1	PH-05045S	LOW "T" ARMREST STRUCTURE SHORT FOAM PAD
	1	PH-05045L	LOW "T" ARMREST STRUCTURE LONG FOAM PAD
	1	PH-04448L	STD "T" ARMREST STRUCTURE LONG FOAM PAD
	1	PH-04448S	STD "T" ARMREST STRUCTURE SHORT FOAM PAD
6	1	PH-05525-L	LEFT STANDARD "T" ARMREST BRACKET
	1	PH-05525-R	RIGHT STANDARD "T" ARMREST BRACKET
7	1	PH-05635	T ARMREST SPRING CAP
8	2	ST-00997	SPRING PIN Ø1/8X3/4
9	1	ST-02547	DESK ARMPAD FIRM FOAM - BLACK
	1	ST-02948	FULL ARMPAD FIRM FOAM - BLACK
	1	ST-03753	DESK ARMPAD WATERFALL GEL - BLACK
	1	ST-52143	FULL ARMPAD WATERFALL GEL - BLACK
	1	ST-03816	PROFILED ARMPAD - BLACK
10	2	ST-02624	PLASTIC CAP Ø7/8
11	2	ST-02695	COMPRESSION SPRING Ø1/4X0.596X0.023
12	1	ST-03801	LINEAR WAVE SPRING 0.012" X 0.375" X 1.5"
13	2	ST-50064	BUTTON HEAD CAP SCREW SS M5X0.8X35
14	2	ST-50114	BUTTON HEAD CAP SCREW SS M6X1.0X14
15	2	ST-50121	BUTTON HEAD CAP SCREW SS M6X1.0X40
16	2	ST-50284	LOCK NUT ZI M6X1.0
17	1	ST-50369	HEXAGONAL NUT ZI M6X1.0
18	2	ST-52892	FLAT HEAD CAP SCREW PHILLIPS M3X0.5X5

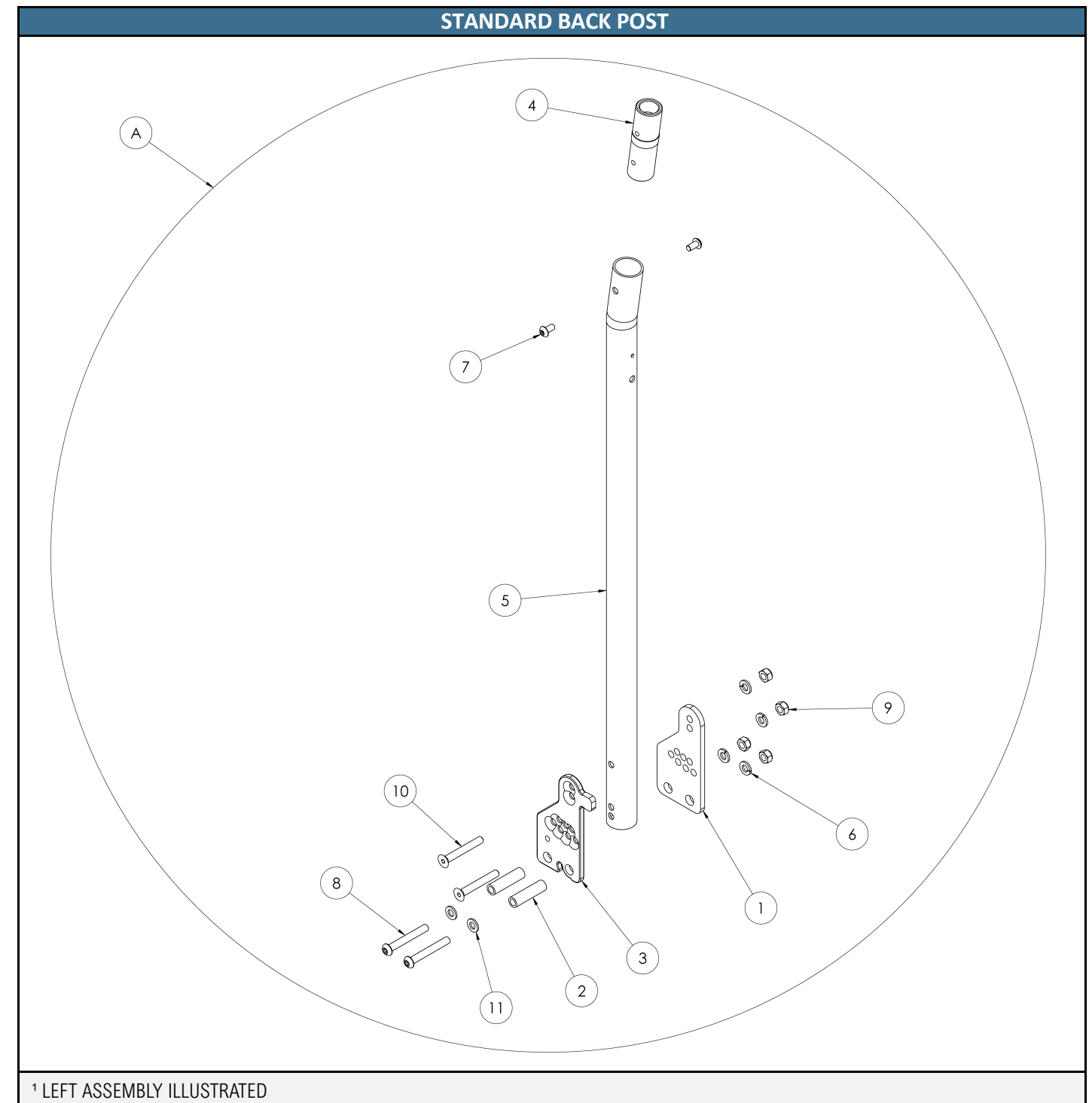


1 LEFT ASSEMBLY ILLUSTRATED

### STANDARD BACK POST

NO.	QTY	DRAWING NO.	DESCRIPTION
A	1	09-00047-L	LEFT STRAIGHT BACK POST SUPPORT-22"
	1	09-00047-R	RIGHT STRAIGHT BACK POST SUPPORT-22"

NO.	QTY	DRAWING NO.	DESCRIPTION
1	1	PH-00902	ANCHOR PLATE
2	2	PH-00912	SLEEVE Ø 3/8 X 1 3/8"
3	1	PH-03173	RIGHT ANCHOR ROBUST PLATE
	1	PH-03174	LEFT ANCHOR ROBUST PLATE
4	1	PH-04983	CANE ADAPTOR 1"
5	1	PH-05412	BACK POST NEOX EXPRESS 22"
6	4	ST-01640	LOCK WASHER ZI Ø1/4
7	2	ST-50057	BUTTON HEAD CAP SCREW SS M5X0.8X10
8	2	ST-50122	BUTTON HEAD CAP SCREW SS M6X1.0X45
9	4	ST-50284	LOCK NUT ZI M6X1.0
10	2	ST-50552	FLAT HEAD CAP SCREWS SS M6X1.0X45
11	2	ST-51066	FLAT WASHER SS M6

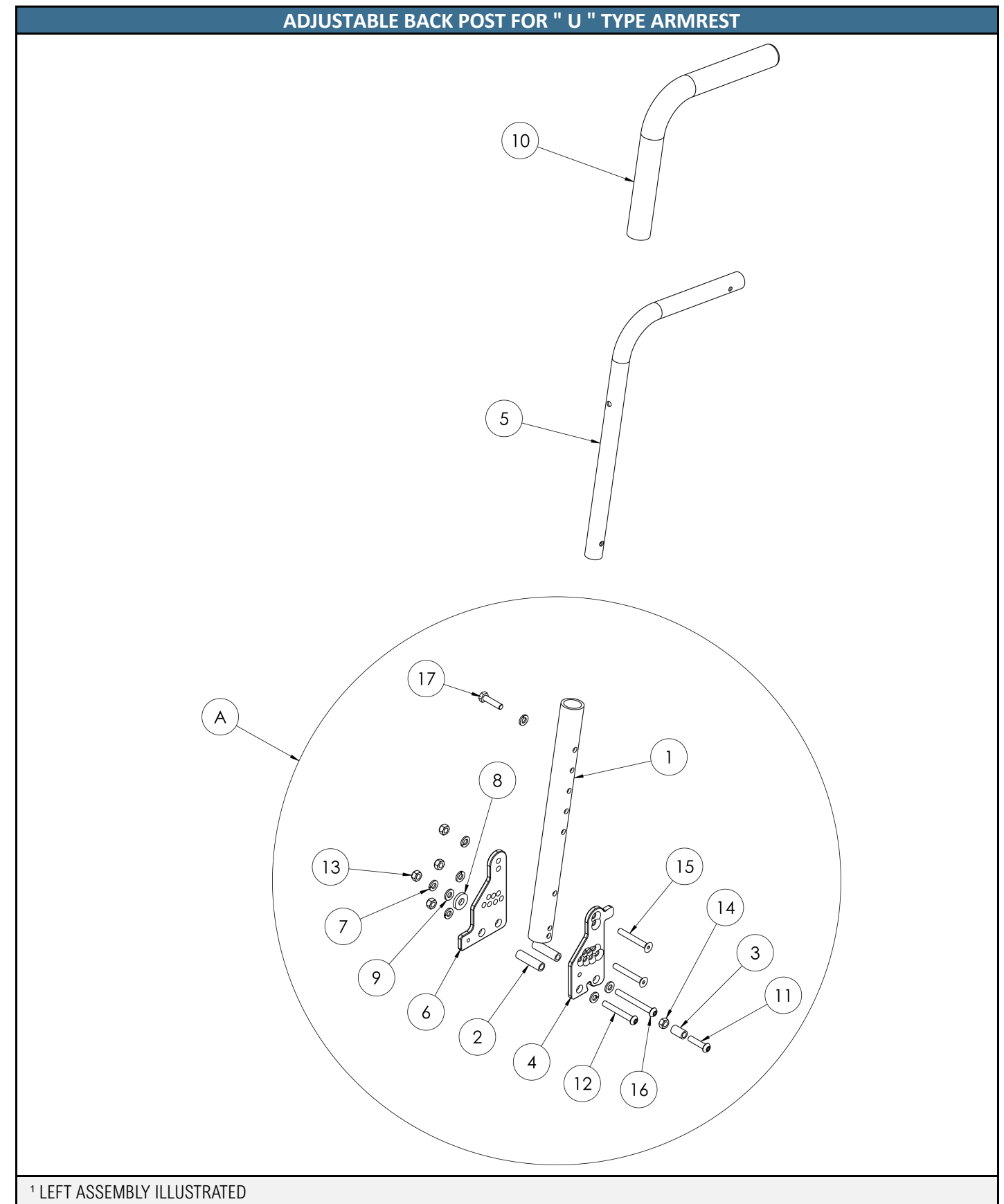


<sup>1</sup> LEFT ASSEMBLY ILLUSTRATED

**ADJUSTABLE BACK POST FOR " U " TYPE ARMREST**

NO.	QTY	DRAWING NO.	DESCRIPTION
A	1	09-00048-L	RIGHT HEIGHT AND ANGLE ADJUSTABLE BACK POST FOR "U" ARMREST
	1	09-00048-R	LEFT HEIGHT AND ANGLE ADJUSTABLE BACK POST FOR "U" ARMREST

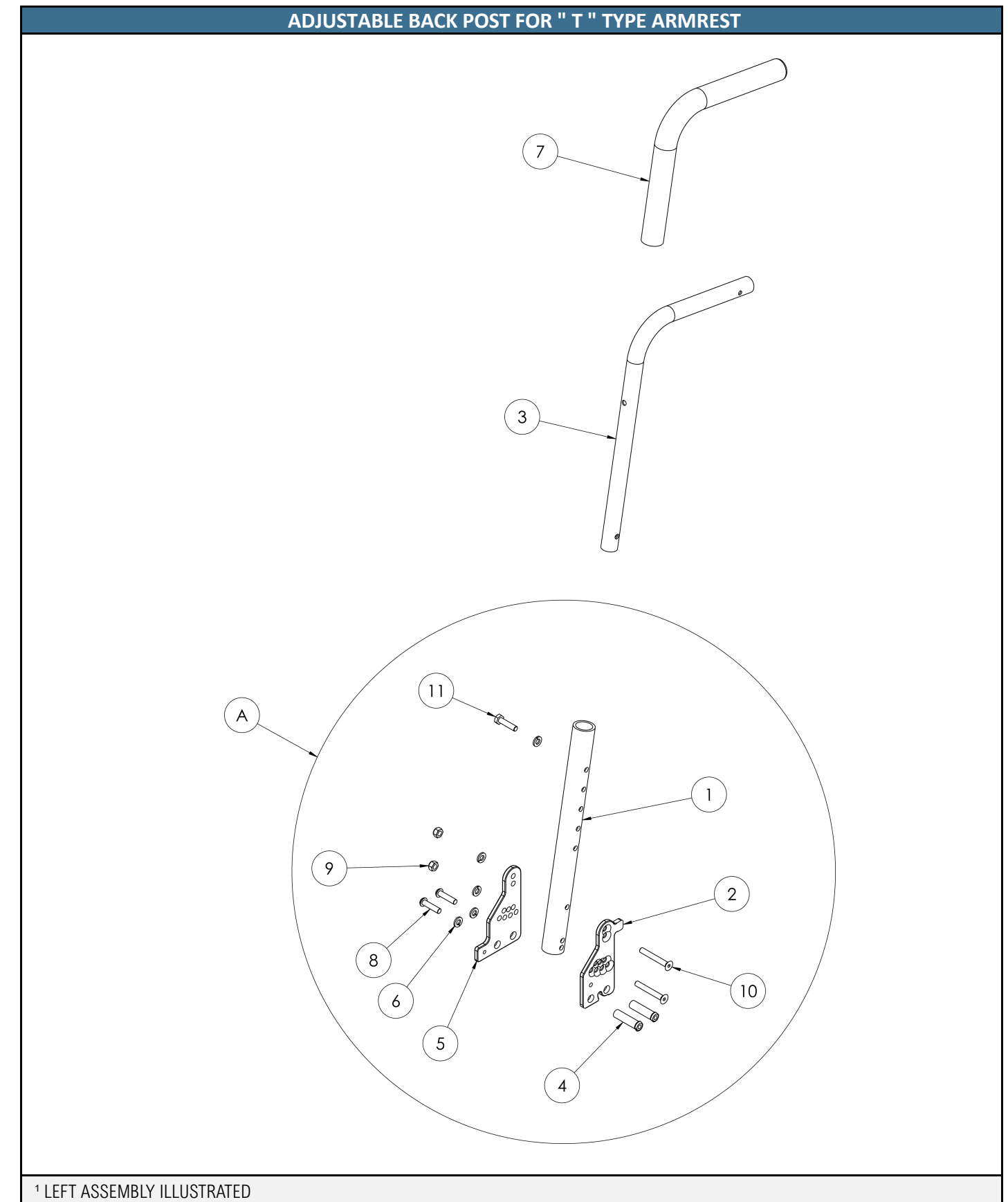
NO.	QTY	DRAWING NO.	DESCRIPTION
1	1	PH-00904	STEM CANE'S RECEPTACLE TUBE
2	2	PH-00912	SLEEVE Ø 3/8 X 1 3/8"
3	1	PH-01608A	RING
4	1	PH-03173	RIGHT ANCHOR ROBUST PLATE
	1	PH-03174	LEFT ACHOR ROBUST PLATE
5	1	PH-03402	90° NEOX ADJUSTABLE CANE 3/4" 16-20"
	1	PH-03404	90° NEOX 3/4" ADJUSTABLE CANE 21-25"
6	1	PH-05529	INSIDE BACK POST ANCHOR PLATE
7	6	ST-01640	LOCK WASHER ZI Ø1/4
8	1	ST-02494	PLASTIC FLAT WASHER Ø0.3125
9	2	ST-02575	PLASTIC FLAT WASHER Ø1/4
10	1	ST-03686	BLACK SOFT TEXTURE VINYL GRIPS Ø3/4X12
11	1	ST-50117	BUTTON HEAD CAP SCREW SS M6X1.0X20
12	1	ST-50118	BUTTON HEAD CAP SCREW SS M6X1.0X25
13	1	ST-50122	BUTTON HEAD CAP SCREW SS M6X1.0X45
14	4	ST-50284	LOCK NUT ZI M6X1.0
15	1	ST-50552	FLAT HEAD CAP SCREWS SS M6X1.0X45
16	2	ST-50552	FLAT HEAD CAP SCREWS SS M6X1.0X45
17	1	ST-51880	BUTTON HEAD CAP SCREW SS M6X1.0X55



**ADJUSTABLE BACK POST FOR " T " TYPE ARMREST**

NO.	QTY	DRAWING NO.	DESCRIPTION
A	1	09-00045-L	RIGHT HEIGHT AND ANGLE ADJUSTABLE BACK POST FOR "T" ARMREST
	1	09-00045-R	LEFT HEIGHT AND ANGLE ADJUSTABLE BACK POST FOR "T" ARMREST

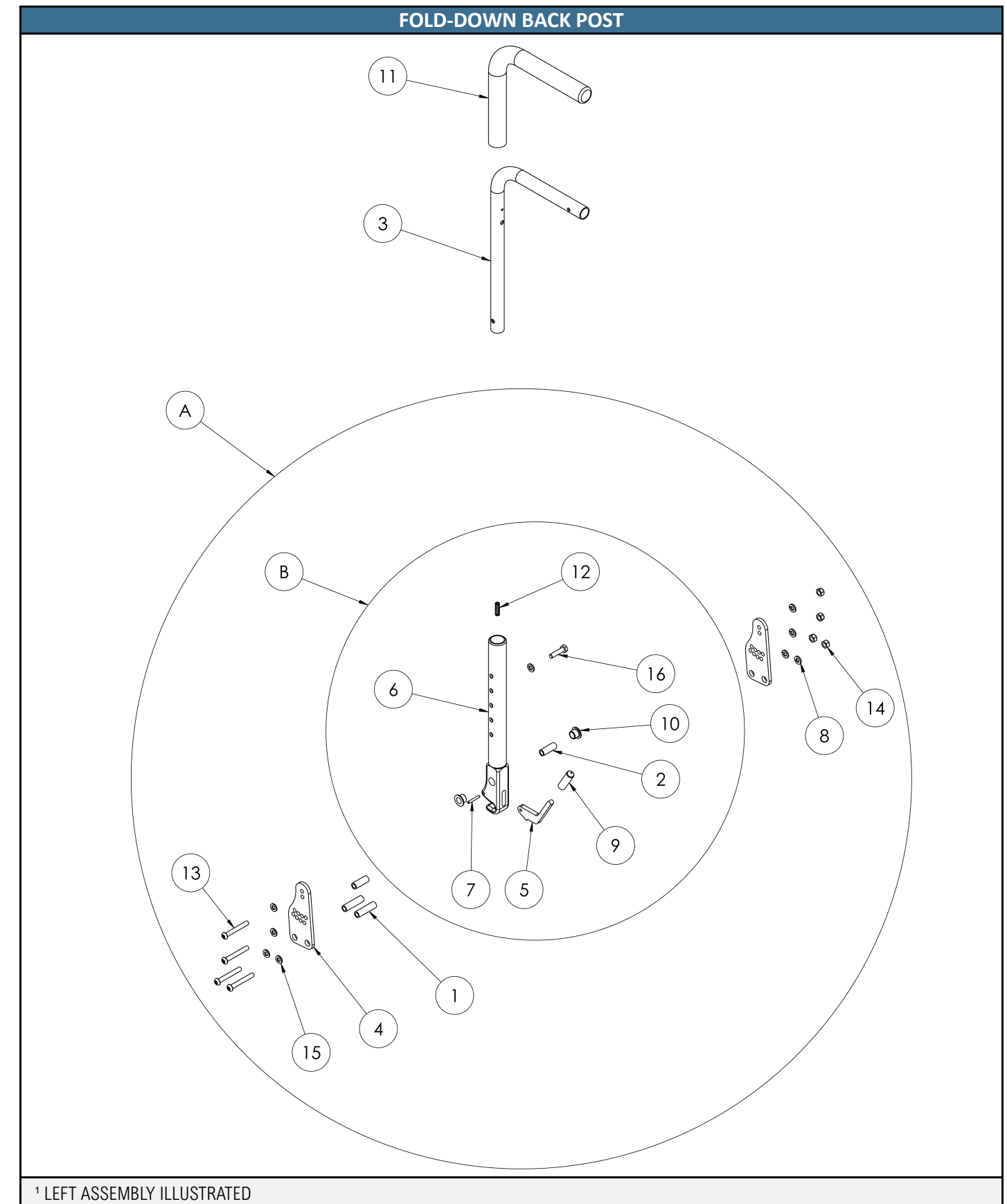
NO.	QTY	DRAWING NO.	DESCRIPTION
1	1	PH-00904	STEM CANE'S RECEPTACLE TUBE
2	1	PH-03174	LEFT ACHOR ROBUST PLATE
	1	PH-03174	LEFT ACHOR ROBUST PLATE
3	1	PH-03402	90° NEOX ADJUSTABLE CANE 3/4" 16-20"
	1	PH-03404	90° NEOX 3/4" ADJUSTABLE CANE 21-25"
4	2	PH-05528	THREADED SHOULDER SLEEVE Ø 3/8 X 1 3/8"
5	1	PH-05529	INSIDE BACK POST ANCHOR PLATE
6	5	ST-01640	LOCK WASHER ZI Ø1/4
7	1	ST-03686	BLACK SOFT TEXTURE VINYL GRIPS Ø3/4X12
8	2	ST-50118	BUTTON HEAD CAP SCREW SS M6X1.0X25
9	2	ST-50284	LOCK NUT ZI M6X1.0
10	2	ST-50552	FLAT HEAD CAP SCREWS SS M6X1.0X45
11	1	ST-51958	HEXAGONAL HEAD CAP SCREW SS M6X10X25



**FOLD-DOWN BACK POST**

NO.	QTY	DRAWING NO.	DESCRIPTION
A	1	09-00041	FOLDING POST ASSEMBLY
B	1	PH-04600	FOLDING POST MECHANISM ASSEMBLY

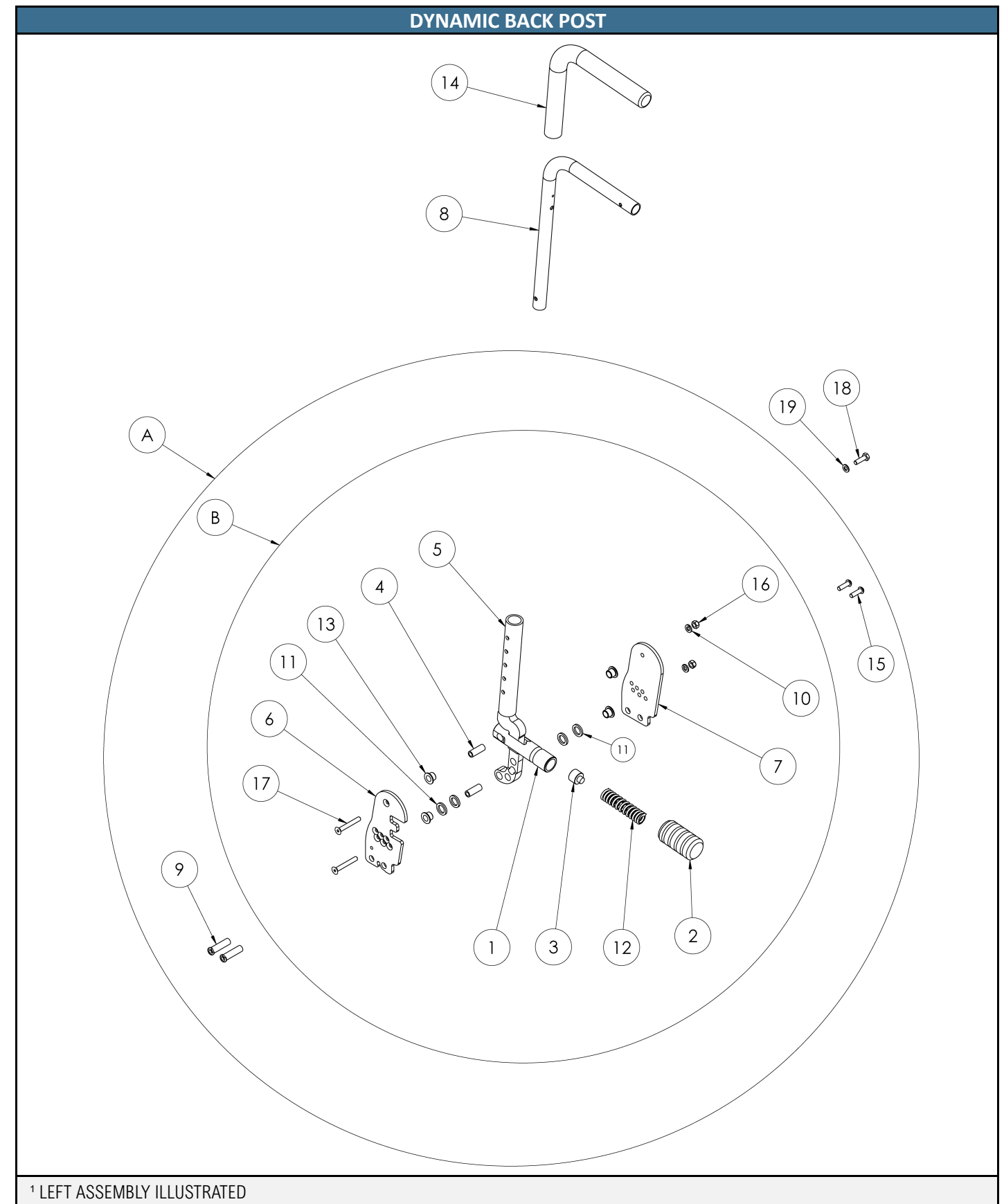
NO.	QTY	DRAWING NO.	DESCRIPTION
1	2	PH-00912	SLEEVE Ø 3/8 X 1 3/8"
2	2	PH-02078E	BACKREST DYNAMIC BUSHING
3	1	PH-03402	90° NEOX ADJUSTABLE CANE 3/4" 16-20"
	1	PH-03404	90° NEOX 3/4" ADJUSTABLE CANE 21-25"
4	2	PH-04602	FOLDING POST BRACKET
5	1	PH-04634	FOLDING POST HOOK
6	1	PH-04637	FOLDING POST BASE
7	1	ST-01210	DOWEL PIN SS Ø1/8X7/8
8	5	ST-01640	LOCK WASHER ZI Ø1/4
9	1	ST-02703	ROUND GRIP Ø0.312X1-1/2 - BLACK HIGH GLOSS FINISH
10	2	ST-03165	IGLIDE FLANGE BEARING Ø3/8
11	1	ST-03686	BLACK SOFT TEXTURE VINYL GRIPS Ø3/4X12
12	1	ST-03726	COMPRESSION SPRINGS Ø0.24X0.813X0.042
13	4	ST-50122	BUTTON HEAD CAP SCREW SS M6X1.0X45
14	4	ST-50284	LOCK NUT ZI M6X1.0
15	4	ST-51066	FLAT WASHER SS M6
16	1	ST-51958	HEXAGONAL HEAD CAP SCREW SS M6X10X25



**DYNAMIC BACK POST**

NO.	QTY	DRAWING NO.	DESCRIPTION
A	1	09-00046-L	LEFT BACK POST SUPPORT DYNAMIC
	1	09-00046-R	RIGHT BACK POST SUPPORT DYNAMIC
B	1	PH-02173	BACKREST DYNAMIC LEFT
	1	PH-02173DR	BACKREST DYNAMIC RIGHT

NO.	QTY	DRAWING NO.	DESCRIPTION
1	1	PH-02070A	TUBE
2	1	PH-02078C	HANDLE
3	1	PH-02078D	BUTTON
4	2	PH-02078E	BACKREST DYNAMIC BUSHING
5	1	PH-02078DR	RIGHT DYNAMIC BACK ARM
	1	PH-02078GA	LEFT DYNAMIC BACK ARM
6	1	PH-02078A	RIGHT DYNAMIC STRONG PLATE
	1	PH-02078H	LEFT DYNAMIC STRONG PLATE
7	1	PH-02078W	INSIDE DYNAMIC BACK PLATE
8	1	PH-03402	90° NEOX ADJUSTABLE CANE 3/4" 16-20"
	1	PH-03404	90° NEOX 3/4" ADJUSTABLE CANE 21-25"
9	2	PH-05528	THREADED SHOULDER SLEEVE Ø 3/8 X 1 3/8"
10	2	ST-01640	LOCK WASHER ZI Ø1/4
11	4	ST-03071	FLAT WASHER NYLON Ø1/2
12	1	ST-03127	COMPRESSION SPRING Ø3/4X3X0.125
13	4	ST-03165	IGLIDE FLANGE BEARING Ø3/8
14	1	ST-03686	BLACK SOFT TEXTURE VINYL GRIPS Ø3/4X12
15	2	ST-50117	BUTTON HEAD CAP SCREW SS M6X1.0X20
16	2	ST-50284	LOCK NUT ZI M6X1.0
17	2	ST-50552	FLAT HEAD CAP SCREWS SS M6X1.0X45
18	1	ST-50919	HEXAGONAL HEAD CAP SCREW SS M6X1.0X20
19	1	ST-51066	FLAT WASHER SS M6



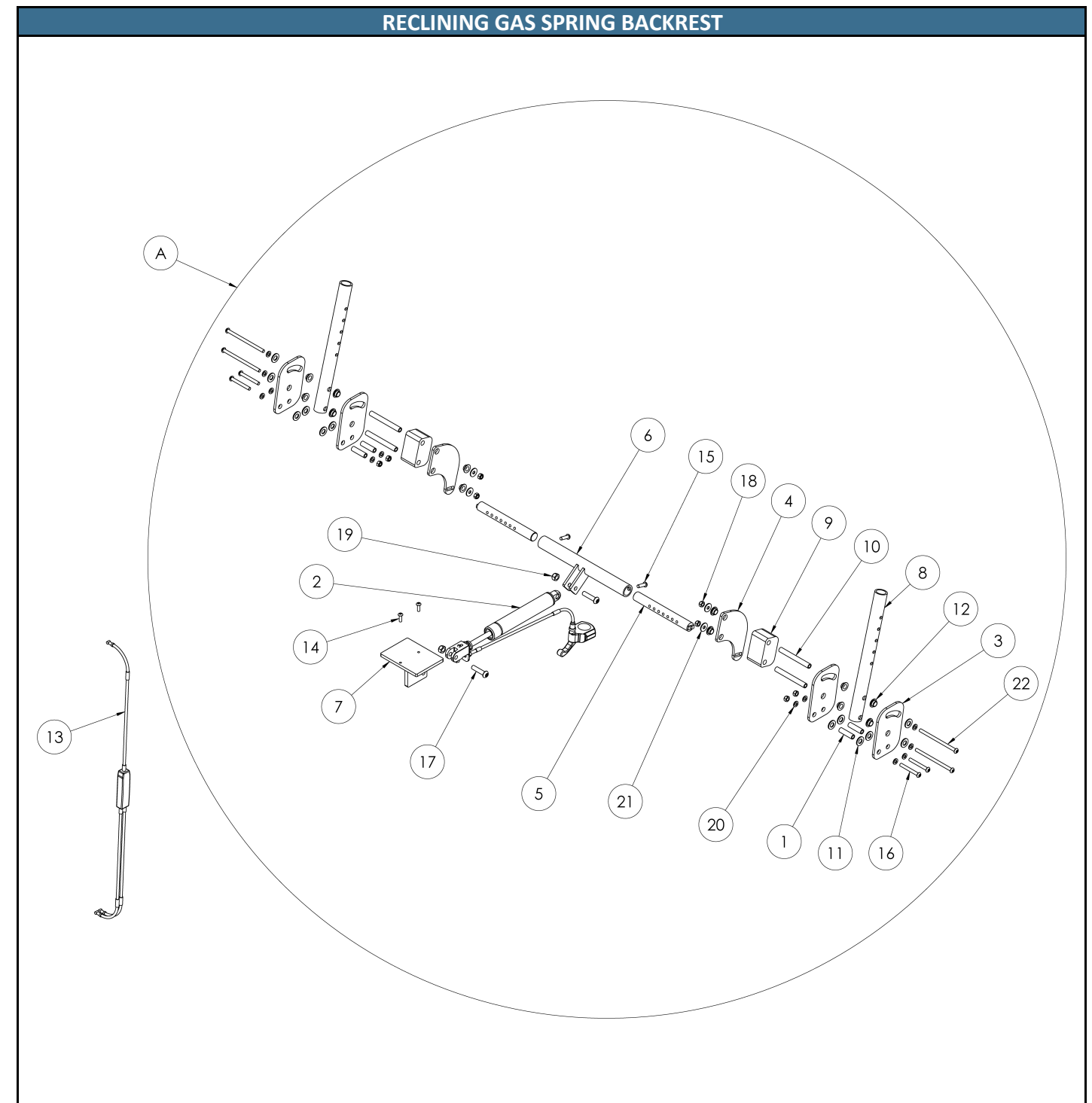
1 LEFT ASSEMBLY ILLUSTRATED



**RECLINING GAS SPRING BACKREST**

NO.	QTY	DRAWING NO.	DESCRIPTION
A	1	09-00044	RECLINING GAS SPRING BACKREST

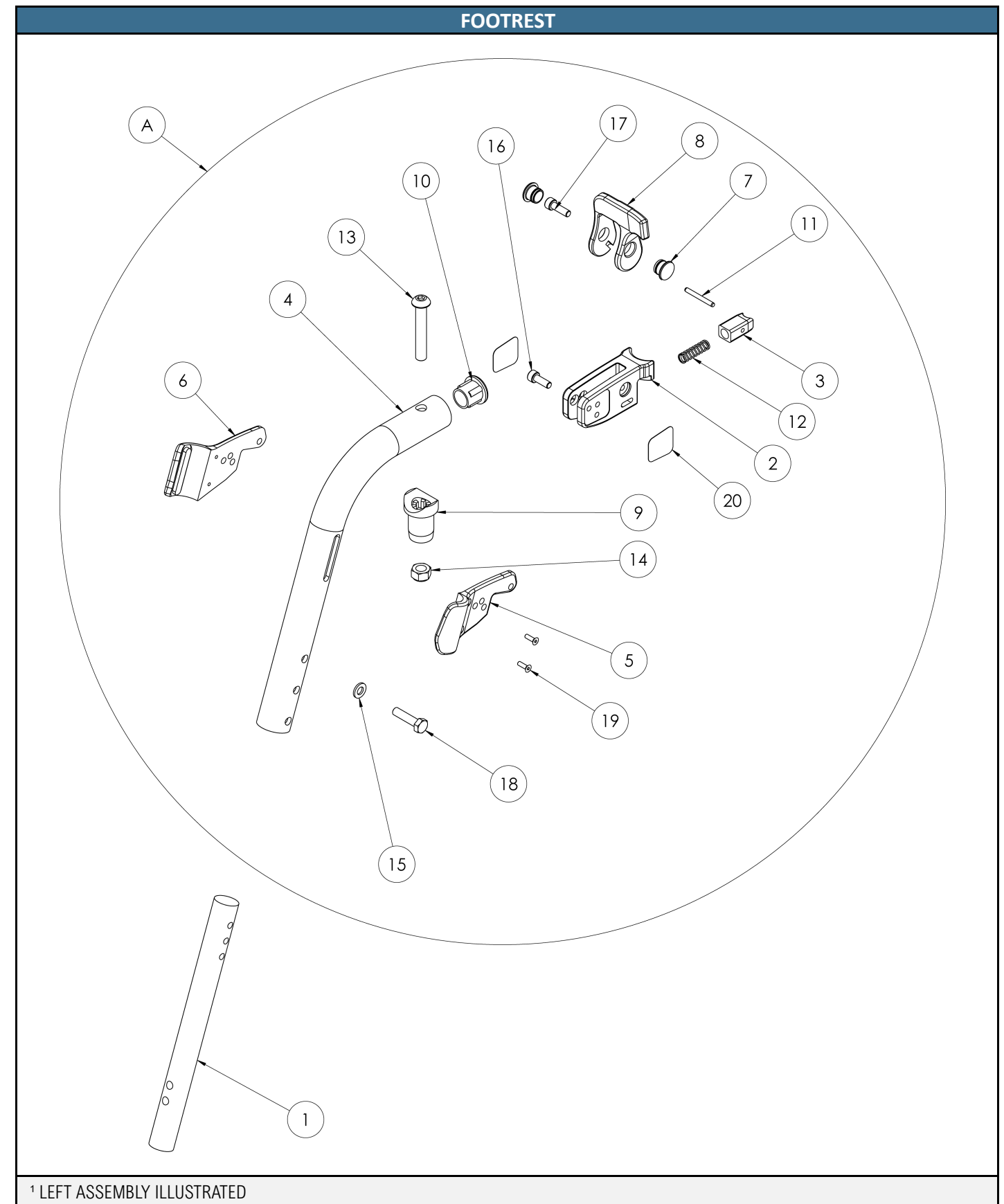
NO.	QTY	DRAWING NO.	DESCRIPTION
1	4	PH-00912	SLEEVE Ø 3/8 X 1 3/8"
2	1	PH-05252	BACKREST CYLINDER
3	4	PH-05253	RECLINING GAS SPRING BACKREST ANCHOR
4	2	PH-05254	RECLINING GAS SPRING BACKREST PIVOT PLATE
5	2	PH-05255	ADJUSTING SHAFT RECLINING GAS SPRING BACKREST
6	1	PH-05258	UPPER ANCHORING RECLINING GAS SPRING BACKREST
7	1	PH-05259	CYLINDER ANCHOR
8	2	PH-05402	STEM CANE'S RECEPTACLE TUBE
9	2	PH-05847	BLOCK FOR RECLINING BACKREST
10	4	PH-05860	SLEEVE Ø3/8" X 3.200"
11	12	ST-03687	NYLON FLAT WASHER Ø0.390
12	12	ST-03765	SLEEVE BEARING WITH FLANGE 3/8X1/4
13	1	ST-03873	COMPLETE SET OF 3 CABLES CONNECTED BY SPLITTER
14	2	ST-50059	BUTTON HEAD CAP SCREW SS M5X0.8X16
15	2	ST-50117	BUTTON HEAD CAP SCREW SS M6X1.0X20
16	4	ST-50123	BUTTON HEAD CAP SCREW SS M6X1.0X50
17	2	ST-50170	BUTTON HEAD CAP SCREW SS M8X1.25X35
18	8	ST-50284	LOCK NUT ZI M6X1.0
19	2	ST-50285	LOCK NUT ZI M8X1.25
20	12	ST-51066	FLAT WASHER SS M6
21	4	ST-51150	WIDE FLAT WASHER SS M6
22	4	ST-52910	BUTTON HEAD CAP SCREW SS M6X1.0X100



**FOOTREST**

NO.	QTY	DRAWING NO.	DESCRIPTION
A	1	PH-05648-L-NOIR_LUSTRE	LEFT FOOTREST 60° - GLOSSY BLACK
	1	PH-05648-R-NOIR_LUSTRE	RIGHT FOOTREST 60° - GLOSSY BLACK
	1	PH-05649-L-NOIR_LUSTRE	LEFT FOOTREST 70° - GLOSSY BLACK
	1	PH-05649-R-NOIR_LUSTRE	RIGHT FOOTREST 70° - GLOSSY BLACK
	1	PH-05650-L-NOIR_LUSTRE	LEFT FOOTREST 90° - GLOSSY BLACK
	1	PH-05650-R-NOIR_LUSTRE	RIGHT FOOTREST 90° - GLOSSY BLACK

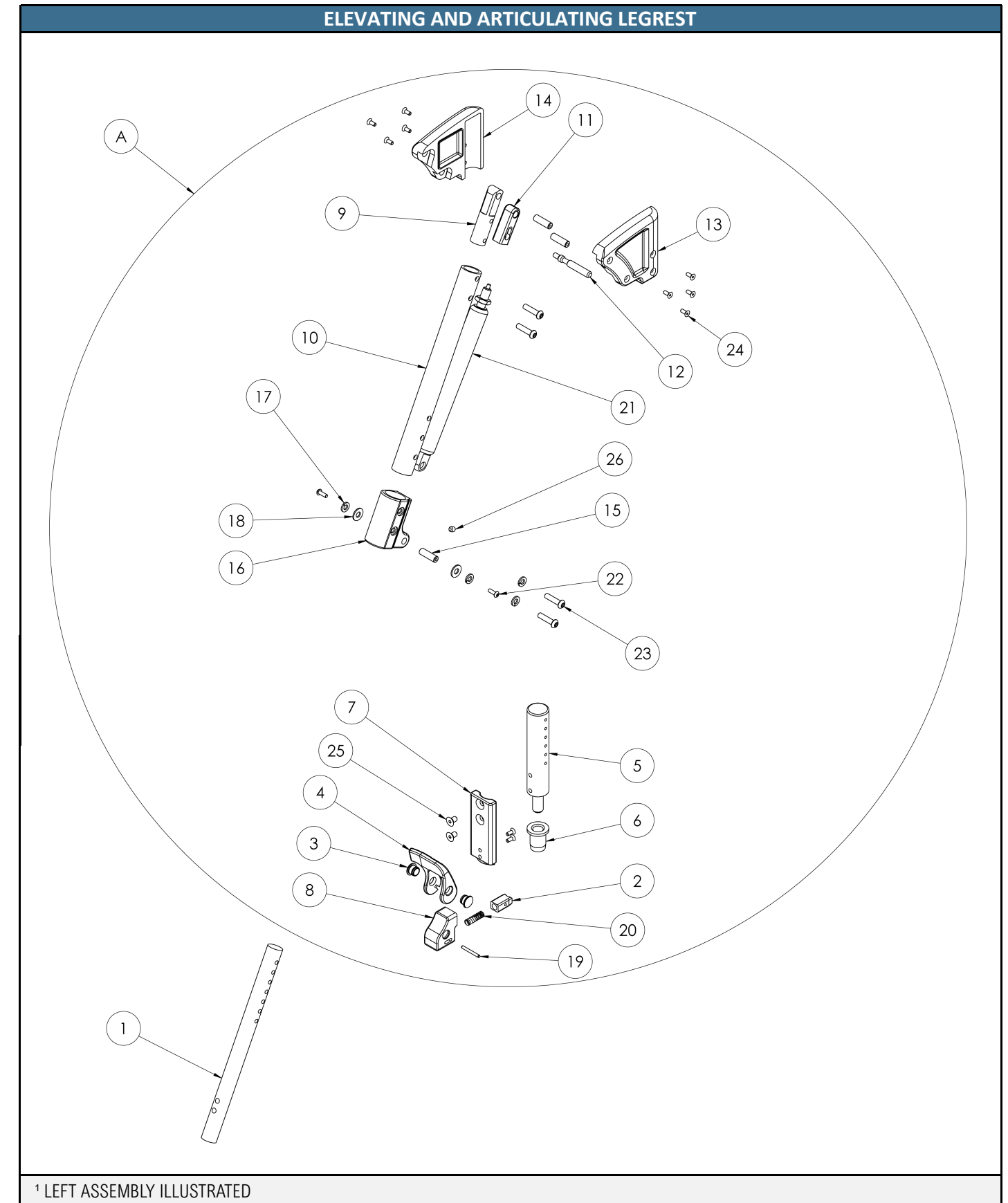
NO.	QTY	DRAWING NO.	DESCRIPTION
1	1	PH-00765	FOOTREST EXTENSION ROD 5.625"
	1	PH-05275	FOOTREST EXTENDED ROD 7.875"
	1	PH-00763	FOOTREST EXTENSION ROD 9.875"
	1	PH-02160	FOOTREST EXTENSION ROD 14"
2	1	PH-05460	FOOTREST FIXATION BLOCK
3	1	PH-05461	FOOTREST PLUNGER
4	1	PH-05462	FOOTREST TUBING 60°
	1	PH-05463	FOOTREST TUBING 70°
	1	PH-05464	FOOTREST TUBING 90°
5	1	PH-05465-L	FOOTREST LEFT TELESCOPIC ARM
6	1	PH-05465-R	FOOTREST RIGHT TELESCOPIC ARM
7	2	PH-05466	FOOTREST LEVER PIVOT
8	1	PH-05469-L	FOOTREST LEFT LEVER
	1	PH-05469-R	FOOTREST RIGHT LEVER
9	1	ST-02498	PLASTIC PIVOT
10	1	ST-02570	PLASTIC CAP Ø7/8" / 18 GA. TUBE
11	1	ST-03790	DOWEL PIN SS Ø1/8X1-1/8
12	1	ST-03791	COMPRESSION SPRING Ø0.3X1X0.035
13	1	ST-50173	BUTTON HEAD CAP SCREW SS M8X1.25X50
14	1	ST-50285	LOCK NUT ZI M8X1.25
15	1	ST-51066	FLAT WASHER SS M6
16	1	ST-51405	SOCKET HEAD CAP SCREW SS M5X0.8X14
17	1	ST-51406	SOCKET HEAD CAP SCREW SS M5X0.8X16
18	1	ST-51958	HEXAGONAL HEAD CAP SCREW SS M6X10X25
19	2	ST-52885	FLAT HEAD CAP SCREW PHILLIPS M3X0.5X10
20	2	1QUFOU228	FOOTREST LABEL



**ELEVATING AND ARTICULATING LEGREST**

NO.	QTY	DRAWING NO.	DESCRIPTION
A	1	PH-05540-L	LEFT ELEVATING AND COMPENSATING LEGREST LOCK SYSTEM
	1	PH-05540-R	RIGHT ELEVATING AND COMPENSATING LEGREST LOCK SYSTEM

NO.	QTY	DRAWING NO.	DESCRIPTION
1	1	PH-00765	FOOTREST EXTENSION ROD 5.625"
	1	PH-05275	FOOTREST EXTENDED ROD 7.875"
	1	PH-00763	FOOTREST EXTENSION ROD 9.875"
2	1	PH-05461	FOOTREST PLUNGER
3	2	PH-05466	FOOTREST LEVER PIVOT
4	1	PH-05469-L	FOOTREST LEFT LEVER
	1	PH-05469-R	FOOTREST RIGHT LEVER
5	1	PH-05535	ELEVATING LEGREST PIVOT
6	1	PH-05536	ELEVATING LEGREST PIVOT CONNECTOR
7	1	PH-05537	FIXATION PLATE OF BLOCK AND PIVOT
8	1	PH-05539	LEGREST FIXATION BLOCK
9	1	PH-05541	ADJUSTABLE LEGREST TUVE PIVOT
10	1	PH-05542	ADJUSTABLE LEGREST TUBE
11	1	PH-05543	CYLINDER ROD END
12	1	PH-05544	CYLINDER LEVER
13	1	PH-05545-L	LEFT ELEVATING LEGREST AND CYLINDER HANGER BRACKET
14	1	PH-05545-R	RIGHT ELEVATING LEGREST AND CYLINDER HANGER BRACKET
15	3	PH-05546	THREADED SLEEVE
16	1	PH-05547	TUBE AND CYLINDER ATTACHMENT BLOCK
17	4	ST-01640	LOCK WASHER ZI Ø1/4
18	2	ST-01719	FLAT WASHER SS Ø1/4
19	1	ST-03790	DOWEL PIN SS Ø1/8X1-1/8
20	1	ST-03791	COMPRESSION SPRING Ø0.3X1X0.035
21	1	ST-03792	BLOCKING CYLINDER BANSBACH K0A1PV2-060-266—002
22	2	ST-50035	BUTTON HEAD CAP SCREW SS M4X0.7X12
23	4	ST-50118	BUTTON HEAD CAP SCREW SS M6X1.0X25
24	10	ST-50413	FLAT HEAD CAP SCREW BO M4X0.7X10
25	2	ST-50546	FLAT HEAD CAP SCREW SS M6X1.0X16
26	1	ST-52131	SET SCREW CUP POINT SS M6X1.0X6

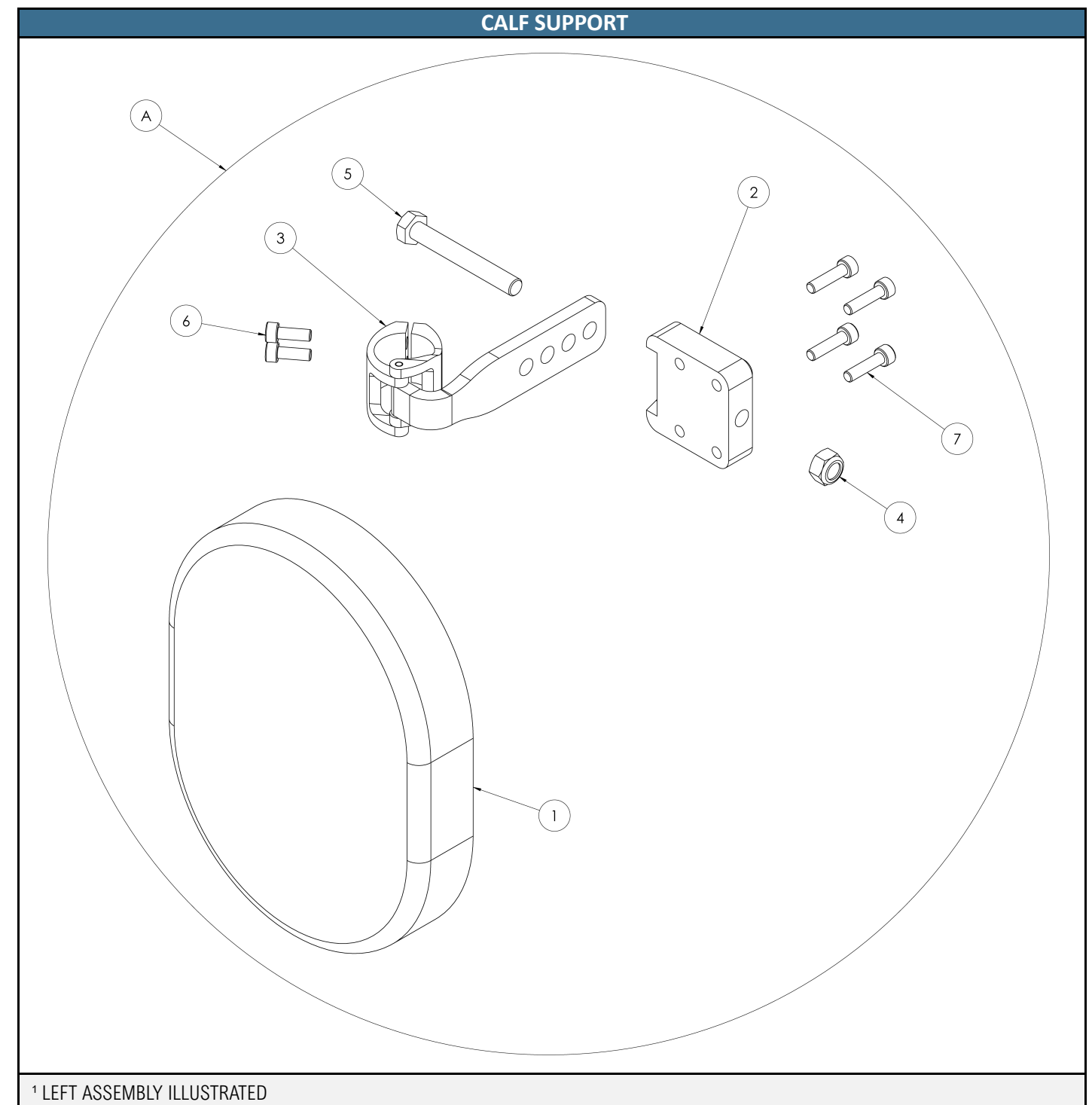


<sup>1</sup> LEFT ASSEMBLY ILLUSTRATED

## CALF SUPPORT

NO.	QTY	DRAWING NO.	DESCRIPTION
A	1	NX18	CALF SUPPORT STANDARD
	1	NX20	CALF SUPPORT PADDED STANDARD

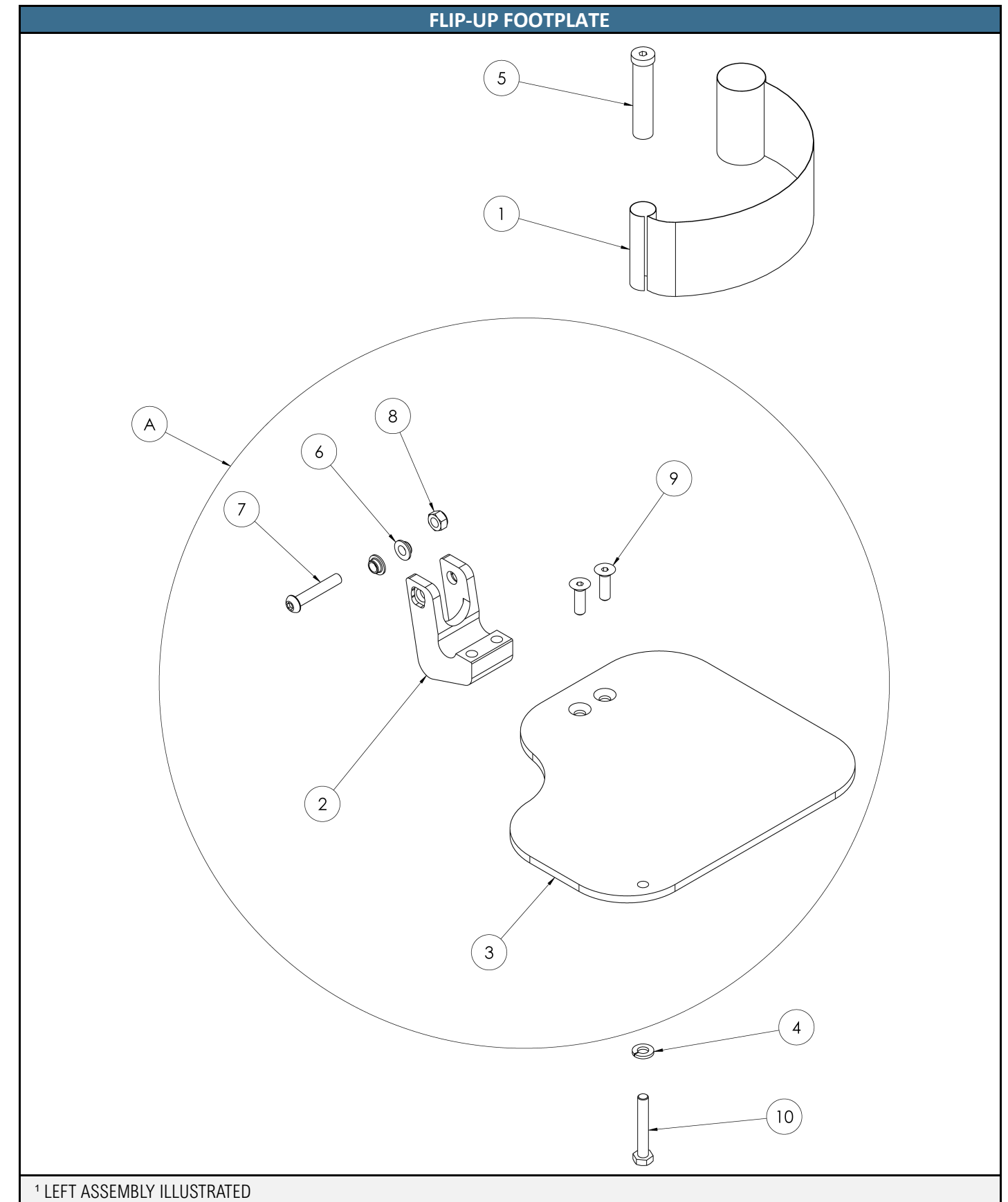
NO.	QTY	DRAWING NO.	DESCRIPTION
1	1	MI7464	PROFIED CUSHION ADJUSTABLE CALF SUPPORT WITH COVER
	1	MI7465	FLAT CUSHION ADJUSTABLE CALF SUPPORT WITH COVER
2	1	PH-00793	PIVOT BLOCK
3	1	PH-02161	CALF SUPPORT CLIP
4	1	ST-50285	LOCK NUT ZI M8X1.25
5	1	ST-50957	HEXAGONAL HEAD CAP SCREW SS M8X1.25X60
6	2	ST-51405	SOCKET HEAD CAP SCREW SS M5X0.8X14
7	4	ST-51408	SOCKET HEAD CAP SCREW SS M5X0.8X20



**FLIP-UP FOOTPLATE**

NO.	QTY	DRAWING NO.	DESCRIPTION
A	1	PH-05057L	LEFT FOLDING FOOTPLATE 6" X 8"
	1	PH-05057R	RIGHT FOLDING FOOTPLATE 6" X 8"
	1	PH-05268L	LEFT FOLDING FOOTPLATE 7" X 8"
	1	PH-05268R	RIGHT FOLDING FOOTPLATE 7" X 8"
	1	PH-05662-L	LEFT OVERSIZE FOLDING FOOTPLATE 6" X 9"
	1	PH-05662-R	RIGHT OVERSIZE FOLDING FOOTPLATE 6" X 9"
	1	PH-05663-L	LEFT OVERSIZE FOLDING FOOTPLATE 6" X 10"
	1	PH-05663-R	RIGHT OVERSIZE FOLDING FOOTPLATE 6" X 10"
	1	PH-05664-L	LEFT OVERSIZE FOLDING FOOTPLATE 7" X 9"
	1	PH-05664-R	RIGHT OVERSIZE FOLDING FOOTPLATE 7" X 9"
	1	PH-05665-L	LEFT OVERSIZE FOLDING FOOTPLATE 7" X 10"
	1	PH-05665-R	RIGHT OVERSIZE FOLDING FOOTPLATE 7" X 10"

NO.	QTY	DRAWING NO.	DESCRIPTION
1	1	PH-00632	HEEL LOOP
2	1	PH-05055	FOOTPLATE BRACKET
3	1	PH-05054-L	LEFT STANDARD FOOTPLATE 6" X 8"
	1	PH-05054-R	RIGHT STANDARD FOOTPLATE 6" X 8"
	1	PH-05266-L	LEFT STANDARD FOOTPLATE 7" X 8"
	1	PH-05266-R	RIGHT STANDARD FOOTPLATE 7" X 8"
	1	PH-05658-L	LEFT OVERSIZE FOOTPLATE 6" X 9"
	1	PH-05658-R	RIGHT OVERSIZE FOOTPLATE 6" X 10"
	1	PH-05659-L	LEFT OVERSIZE FOOTPLATE 6" X 10"
	1	PH-05659-R	RIGHT OVERSIZE FOOTPLATE 7" X 9"
	1	PH-05660-L	LEFT OVERSIZE FOOTPLATE 7" X 9"
	1	PH-05660-R	RIGHT OVERSIZE FOOTPLATE 7" X 9"
1	PH-05661-L	LEFT OVERSIZE FOOTPLATE 7" X 10"	
1	PH-05661-R	RIGHT OVERSIZE FOOTPLATE 7" X 10"	
4	1	ST-01640	LOCK WASHER ZI Ø1/4
5	1	ST-02539	HEEL SUPPORT STUD
6	2	ST-03748	SLEEVE BEARING WITH FLANGE M6
7	1	ST-50120	BUTTON HEAD CAP SCREW SS M6X1.0X35
8	1	ST-50284	LOCK NUT ZI M6X1.0
9	2	ST-50547	FLAT HEAD CAP SCREW SS M6X1.0X20
10	1	ST-50922	HEXAGONAL HEAD CAP SCREW SS M6X1.0X40



<sup>1</sup> LEFT ASSEMBLY ILLUSTRATED

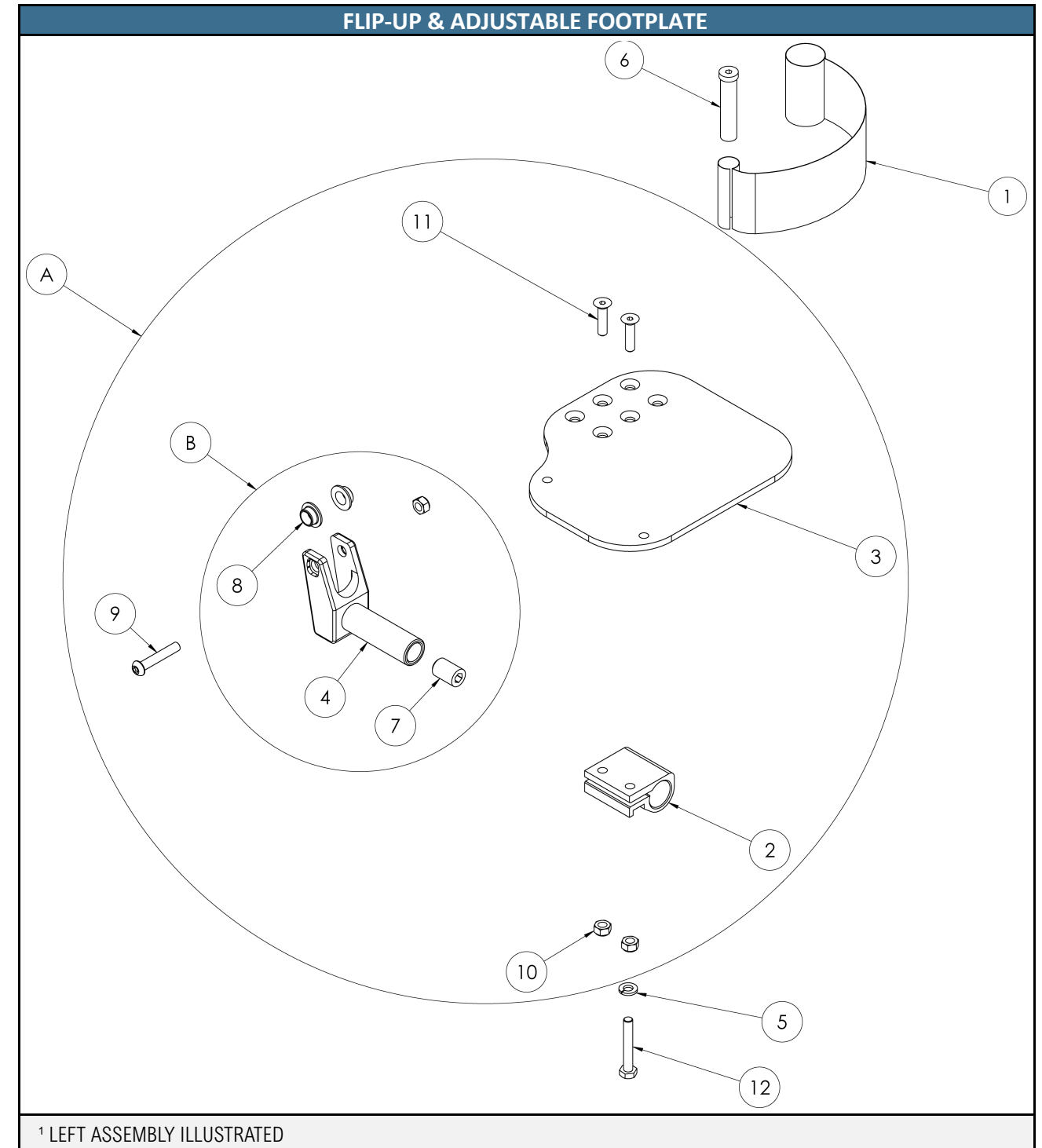
**FLIP-UP & ADJUSTABLE FOOTPLATE**

NO.	QTY	DRAWING NO.	DESCRIPTION
A	1	11-00011	RIGHT ANGLE AND DEPTH ADJUSTABLE FOOTREST PLATE 6" X 6 3/4"
	1	11-00012	LEFT ANGLE & DEPTH ADJUSTABLE FOOTREST PLATE 6" X 6 3/4"
	1	11-00045-L	LEFT ANGLE AND DEPTH ADJUSTABLE FOOTREST PLATE 5" X 6 3/4"
	1	11-00045-R	RIGHT ANGLE AND DEPTH ADJUSTABLE FOOTREST PLATE 5" X 6 3/4"
	1	11-00046-L	LEFT OVERSIZED ANGLE AND DEPTH ADJUSTABLE FOOTREST PLATE 5" X 9"
	1	11-00046-R	RIGHT OVERSIZED ANGLE AND DEPTH ADJUSTABLE FOOTREST PLATE 5" X 9"
	1	11-00047-L	LEFT OVERSIZED ANGLE AND DEPTH ADJUSTABLE FOOTREST PLATE 5" X 10"
	1	11-00047-R	RIGHT OVERSIZED ANGLE AND DEPTH ADJUSTABLE FOOTREST PLATE 5" X 10"
	1	11-00048-L	LEFT OVERSIZED ANGLE AND DEPTH ADJUSTABLE FOOTREST PLATE 6" X 9"
	1	11-00048-R	RIGHT OVERSIZED ANGLE AND DEPTH ADJUSTABLE FOOTREST PLATE 6" X 9"
	1	11-00049-L	LEFT OVERSIZED ANGLE AND DEPTH ADJUSTABLE FOOTREST PLATE 6" X 10"
	1	11-00049-R	RIGHT OVERSIZED ANGLE AND DEPTH ADJUSTABLE FOOTREST PLATE 6" X 10"
	1	11-00050-L	LEFT OVERSIZED ANGLE AND DEPTH ADJUSTABLE FOOTREST PLATE 7" X 9"
	1	11-00050-R	RIGHT OVERSIZED ANGLE AND DEPTH ADJUSTABLE FOOTREST PLATE 7" X 9"
	1	11-00029	RIGHT OVERSIZED ANGLE AND DEPTH ADJUSTABLE FOOTREST PLATE 7" X 10"
	1	11-00030	LEFT OVERSIZED ANGLE AND DEPTH ADJUSTABLE FOOTREST PLATE 7" X 10"
	1	11-00052-L	LEFT OVERSIZED ANGLE AND DEPTH ADJUSTABLE FOOTREST PLATE 8" X 9"
	1	11-00052-R	RIGHT OVERSIZED ANGLE AND DEPTH ADJUSTABLE FOOTREST PLATE 8" X 9"
	1	11-00051-L	LEFT OVERSIZED ANGLE AND DEPTH ADJUSTABLE FOOTREST PLATE 8" X 10"
	1	11-00051-R	RIGHT OVERSIZED ANGLE AND DEPTH ADJUSTABLE FOOTREST PLATE 8" X 10"
B	1	PH-05173	KNUCKLE AMBIDEXTROUS ASSEMBLY

NO.	QTY	DRAWING NO.	DESCRIPTION
1	1	PH-00632	HEEL LOOP
2	1	PH-03660	FOOTREST PIVOT BLOCK
3	1	PH-03811DR	RIGHT STANDARD FOOTPLATE 5" X 6 3/4"
	1	PH-03811GA	LEFT STANDARD FOOTPLATE 5" X 6 3/4"
	1	PH-04134DR	RIGHT OVERSIZE FOOTPLATE 5" X 9"
	1	PH-04134GA	LEFT OVERSIZE FOOTPLATE 5" X 9"
	1	PH-04135DR	RIGHT OVERSIZE FOOTPLATE 5" X 10"
	1	PH-04135GA	LEFT OVERSIZE FOOTPLATE 5" X 10"
	1	PH-03688DR	RIGHT STANDARD FOOTPLATE 6" X 6 3/4"
	1	PH-03688GA	LEFT STANDARD FOOTPLATE 6" X 6 3/4"
	1	PH-03689DR	RIGHT OVERSIZE FOOTPLATE 6" X 9"
	1	PH-03689GA	LEFT OVERSIZE FOOTPLATE 6" X 9"
	1	PH-03690DR	RIGHT OVERSIZE FOOTPLATE 6" X 10"
	1	PH-03690GA	LEFT OVERSIZE FOOTPLATE 6" X 10"
	1	PH-03691DR	RIGHT OVERSIZE FOOTPLATE 7" X 9"
	1	PH-03691GA	LEFT OVERSIZE FOOTPLATE 7" X 9"
	1	PH-03692DR	RIGHT OVERSIZE FOOTPLATE 7" X 10"
	1	PH-03692GA	LEFT OVERSIZE FOOTPLATE 7" X 10"
	1	PH-03693DR	RIGHT OVERSIZE FOOTPLATE 8" X 9"
	1	PH-03693GA	LEFT OVERSIZE FOOTPLATE 8" X 9"
	1	PH-03694DR	RIGHT OVERSIZE FOOTPLATE 8" X 10"
	1	PH-03694GA	LEFT OVERSIZE FOOTPLATE 8" X 10"
4	1	PH-05196	FOOTREST JOINT
5	1	ST-01640	LOCK WASHER ZI Ø1/4

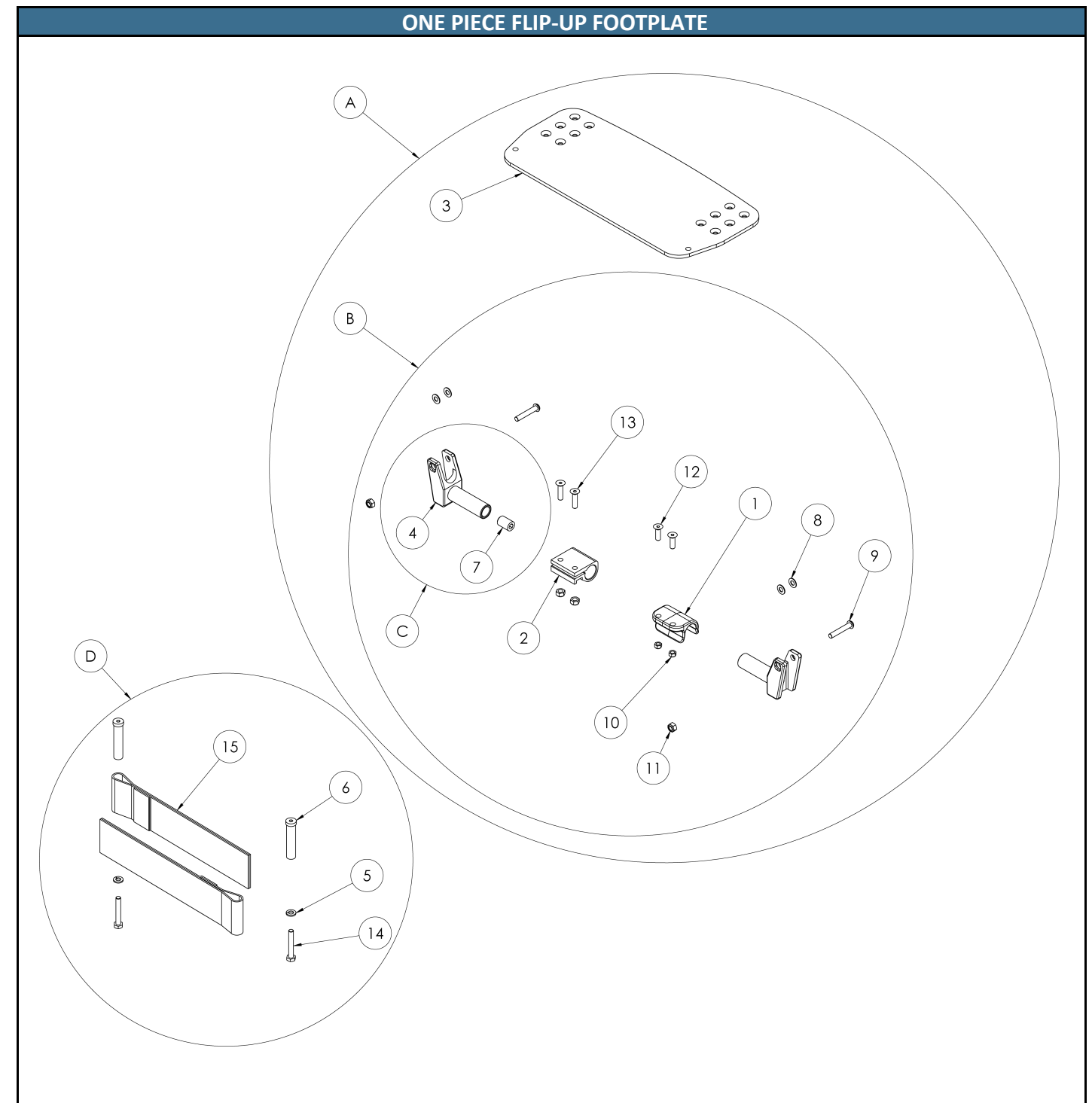
**FLIP-UP & ADJUSTABLE FOOTPLATE**

NO.	QTY	DRAWING NO.	DESCRIPTION
6	1	ST-02539	HEEL SUPPORT STUD
7	1	ST-02656	SET SCREW NYLON Ø1/2-13 X 3/4
8	2	ST-03765	SLEEVE BEARING WITH FLANGE 3/8X1/4
9	1	ST-50120	BUTTON HEAD CAP SCREW SS M6X1.0X35
10	3	ST-50284	LOCK NUT ZI M6X1.0
11	2	ST-50548	FLAT HEAD CAP SCREW SS M6X1.0X25
12	1	ST-50922	HEXAGONAL HEAD CAP SCREW SS M6X1.0X40



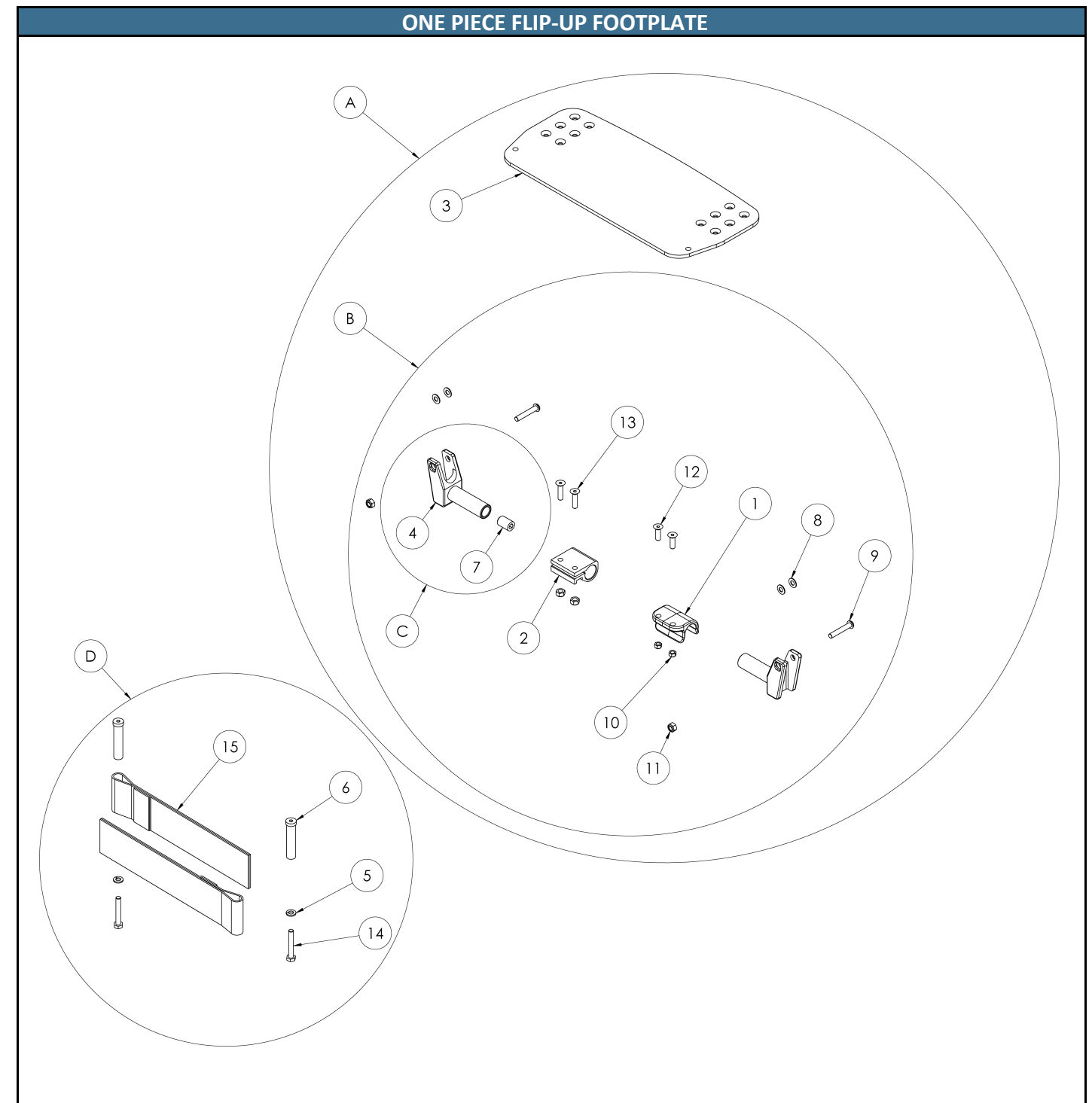
**ONE PIECE FLIP-UP FOOTPLATE**

NO.	QTY	DRAWING NO.	DESCRIPTION
A	1	PH-FW06-14	14" X 6" ONE PIECE FOOTPLATE
	1	PH-FW06-15	15" X 6" ONE PIECE FOOTPLATE
	1	PH-FW06-16	16" X 6" ONE PIECE FOOTPLATE
	1	PH-FW06-17	17" X 6" ONE PIECE FOOTPLATE
	1	PH-FW06-18	18" X 6" ONE PIECE FOOTPLATE
	1	PH-FW06-19	19" X 6" ONE PIECE FOOTPLATE
	1	PH-FW06-20	20" X 6" ONE PIECE FOOTPLATE
	1	PH-FW06-21	21" X 6" ONE PIECE FOOTPLATE
	1	PH-FW06-22	22" X 6" ONE PIECE FOOTPLATE
	1	PH-FW06-23	23" X 6" ONE PIECE FOOTPLATE
	1	PH-FW06-24	24" X 6" ONE PIECE FOOTPLATE
	1	PH-FW06-25	25" X 6" ONE PIECE FOOTPLATE
	1	PH-FW06-26	26" X 6" ONE PIECE FOOTPLATE
	1	PH-FW08-14	14" X 8" ONE PIECE FOOTPLATE
	1	PH-FW08-15	15" X 8" ONE PIECE FOOTPLATE
	1	PH-FW08-16	16" X 8" ONE PIECE FOOTPLATE
	1	PH-FW08-17	17" X 8" ONE PIECE FOOTPLATE
	1	PH-FW08-18	18" X 8" ONE PIECE FOOTPLATE
	1	PH-FW08-19	19" X 8" ONE PIECE FOOTPLATE
	1	PH-FW08-20	20" X 8" ONE PIECE FOOTPLATE
	1	PH-FW08-21	21" X 8" ONE PIECE FOOTPLATE
	1	PH-FW08-22	22" X 8" ONE PIECE FOOTPLATE
	1	PH-FW08-23	23" X 8" ONE PIECE FOOTPLATE
	1	PH-FW08-24	24" X 8" ONE PIECE FOOTPLATE
	1	PH-FW08-25	25" X 8" ONE PIECE FOOTPLATE
	1	PH-FW08-26	26" X 8" ONE PIECE FOOTPLATE
	1	PH-FW10-14	14" X 10" ONE PIECE FOOTPLATE
	1	PH-FW10-15	15" X 10" ONE PIECE FOOTPLATE
	1	PH-FW10-16	16" X 10" ONE PIECE FOOTPLATE
	1	PH-FW10-17	17" X 10" ONE PIECE FOOTPLATE
	1	PH-FW10-18	18" X 10" ONE PIECE FOOTPLATE
	1	PH-FW10-19	19" X 10" ONE PIECE FOOTPLATE
	1	PH-FW10-20	20" X 10" ONE PIECE FOOTPLATE
	1	PH-FW10-21	21" X 10" ONE PIECE FOOTPLATE
	1	PH-FW10-22	22" X 10" ONE PIECE FOOTPLATE
	1	PH-FW10-23	23" X 10" ONE PIECE FOOTPLATE
	1	PH-FW10-24	24" X 10" ONE PIECE FOOTPLATE
	1	PH-FW10-25	25" X 10" ONE PIECE FOOTPLATE
	1	PH-FW10-26	26" X 10" ONE PIECE FOOTPLATE
B	1	11-00044	FULL WIDTH FOOTPLATE'S SUPPORT NEOX
C	2	PH-05173	KNUCKLE AMBIDEXTROUS ASSEMBLY
D	1	11-00040	HEELSTRAP FOR FULL WIDTH FOOTPLATE 10" TO 13"
	1	11-00041	HEELSTRAP FOR FULL WIDTH FOOTPLATE 14" TO 17"
	1	11-00042	HEELSTRAP FOR FULL WIDTH FOOTPLATE 18" TO 21"
	1	11-00043	HEELSTRAP FOR FULL WIDTH FOOTPLATE 22" TO 26"



**ONE PIECE FLIP-UP FOOTPLATE**

NO.	QTY	DRAWING NO.	DESCRIPTION
1	1	PH-02505	RIGHT BLOCK
2	1	PH-03660	FOOTREST PIVOT BLOCK
3	1	PH-05132-C10	FOOTPLATE FULL WIDTH 10" AND 11" DEPTH 6"
	1	PH-05132-C12	FOOTPLATE FULL WIDTH 12" AND 13" DEPTH 6"
	1	PH-05132-C14	FOOTPLATE FULL WIDTH 14" AND 15" DEPTH 6"
	1	PH-05132-C16	FOOTPLATE FULL WIDTH 16" AND 17" DEPTH 6"
	1	PH-05132-C18	FOOTPLATE FULL WIDTH 18" AND 19" DEPTH 6"
	1	PH-05132-C20	FOOTPLATE FULL WIDTH 20" AND 21" DEPTH 6"
	1	PH-05132-C22	FOOTPLATE FULL WIDTH 22" AND 23" DEPTH 6"
	1	PH-05132-C24	FOOTPLATE FULL WIDTH 24" AND 25" DEPTH 6"
	1	PH-05132-C26	FOOTPLATE FULL WIDTH 26" AND 27" DEPTH 6"
	1	PH-05133-C10	FOOTPLATE FULL WIDTH 10" AND 11" DEPTH 8"
	1	PH-05133-C12	FOOTPLATE FULL WIDTH 12" AND 13" DEPTH 8"
	1	PH-05133-C14	FOOTPLATE FULL WIDTH 14" AND 15" DEPTH 8"
	1	PH-05133-C16	FOOTPLATE FULL WIDTH 16" AND 17" DEPTH 8"
	1	PH-05133-C18	FOOTPLATE FULL WIDTH 18" AND 19" DEPTH 8"
	1	PH-05133-C20	FOOTPLATE FULL WIDTH 20" AND 21" DEPTH 8"
	1	PH-05133-C22	FOOTPLATE FULL WIDTH 22" AND 23" DEPTH 8"
	1	PH-05133-C24	FOOTPLATE FULL WIDTH 24" AND 25" DEPTH 8"
	1	PH-05133-C26	FOOTPLATE FULL WIDTH 26" AND 27" DEPTH 8"
	1	PH-05145-C10	FOOTPLATE FULL WIDTH 10" AND 11" DEPTH 10"
	1	PH-05145-C12	FOOTPLATE FULL WIDTH 12" AND 13" DEPTH 10"
	1	PH-05145-C14	FOOTPLATE FULL WIDTH 14" AND 15" DEPTH 10"
	1	PH-05145-C16	FOOTPLATE FULL WIDTH 16" AND 17" DEPTH 10"
	1	PH-05145-C18	FOOTPLATE FULL WIDTH 18" AND 19" DEPTH 10"
	1	PH-05145-C20	FOOTPLATE FULL WIDTH 20" AND 21" DEPTH 10"
	1	PH-05145-C22	FOOTPLATE FULL WIDTH 22" AND 23" DEPTH 10"
	1	PH-05145-C24	FOOTPLATE FULL WIDTH 24" AND 25" DEPTH 10"
1	PH-05145-C26	FOOTPLATE FULL WIDTH 26" AND 27" DEPTH 10"	
4	2	PH-05196	FOOTREST JOINT
5	2	ST-01640	LOCK WASHER ZI Ø1/4
6	2	ST-02539	HEEL SUPPORT STUD
7	2	ST-02656	SET SCREW NYLON Ø1/2-13 X 3/4
8	4	ST-03020	PLASTIC FLAT WASHER Ø1/4
9	2	ST-50120	BUTTON HEAD CAP SCREW SS M6X1.0X35
10	2	ST-50283	LOCK NUT ZI M5X0.8
11	4	ST-50284	LOCK NUT ZI M6X1.0
12	2	ST-50547	FLAT HEAD CAP SCREW SS M6X1.0X20
13	2	ST-50548	FLAT HEAD CAP SCREW SS M6X1.0X25
14	2	ST-50922	HEXAGONAL HEAD CAP SCREW SS M6X1.0X40
15	1	TI-00200	WEBBING FOR FULL WIDTH FOOTPLATE 10" TO 13"
	1	TI-00201	WEBBING FOR FULL WIDTH FOOTPLATE 14" TO 17"
	1	TI-00202	WEBBING FOR FULL WIDTH FOOTPLATE 18" TO 21"
	1	TI-00203	WEBBING FOR FULL WIDTH FOOTPLATE 22" TO 26"

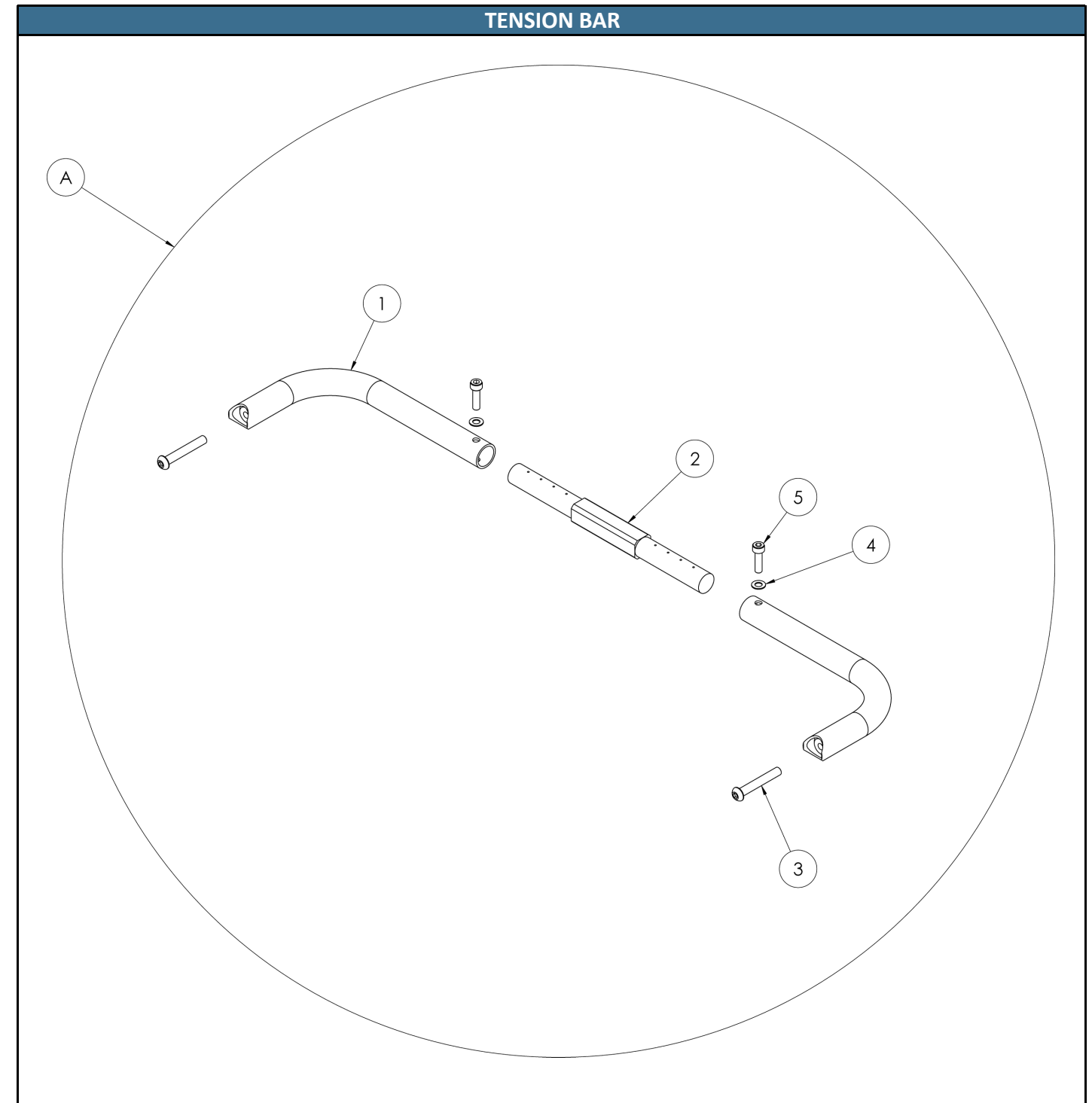




**TENSION BAR**

NO.	QTY	DRAWING NO.	DESCRIPTION
A	1	21-00002	TENSION BAR SHORT 13" TO 16"
	1	21-00003	TENSION BAR MEDIUM 16" TO 19"
	1	21-00004	TENSION BAR LONG 18" TO 21"
	1	21-00005	TENSION BAR LONG 22" TO 26"
	1	21-00015	SHORT TENSION BAR EXTENDED 13" TO 16"
	1	21-00016	MEDIUM TENSION BAR EXTENDED 16" TO 19"
	1	21-00017	LONG TENSION BAR EXTENDED 18" TO 21"
	1	21-00018	LONG TENSION BAR EXTENDED 22" TO 26"

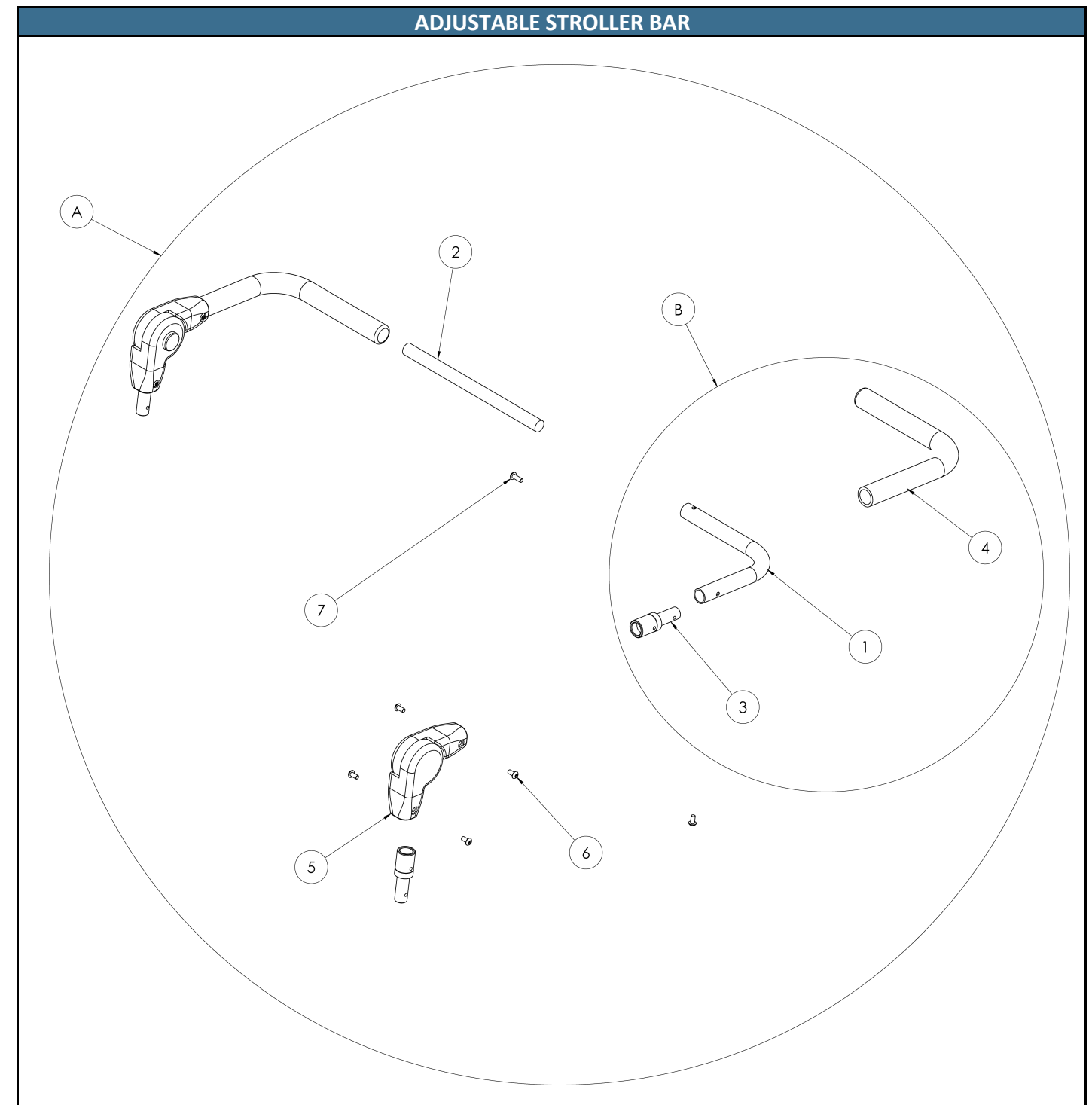
NO.	QTY	DRAWING NO.	DESCRIPTION
1	2	PH-02353	TENSION BAR END SHORT
	2	PH-01246	TENSION BAR END MEDIUM
	2	PH-03631	TENSION BAR END LONG
	2	PH-03633	TENSION BAR END HD
	2	PH-05637	TENSION BAR END EXTENDED SHORT
	2	PH-05638	TENSION BAR END EXTENDED MEDIUM
	2	PH-05639	TENSION BAR END EXTENDED LONG
	2	PH-05640	TENSION BAR END EXTENDED HD
2	1	PH-05149	HEADREST ADJUSTMENT ROD 13" TO 21"
	1	PH-03634	ADJUSTMENT HEADREST ROD (HD)
3	2	ST-50121	BUTTON HEAD CAP SCREW SS M6X1.0X40
4	2	ST-51065	FLAT WASHER SS M5
5	2	ST-51407	SOCKET HEAD CAP SCREW SS M5X0.8X18



**ADJUSTABLE STROLLER BAR**

NO.	QTY	DRAWING NO.	DESCRIPTION
A	1	13-00016	ANGLE AJUSTEMENT STROLLER BAR SMALL 14" TO 17"
	1	13-00018	ANGLE AJUSTMENT STROLLER BAR MEDIUM 18" TO 20"
	1	13-00017	ANGLE AJUSTMENT STROLLER BAR LARGE 20" TO 26"
B	1	PH-05295	PRE-ASSEMBLY STROLLER BAR HANDLE 14" TO 17"
	1	PH-05296	PRE-ASSEMBLY STROLLER BAR HANDLE 18" TO 26"

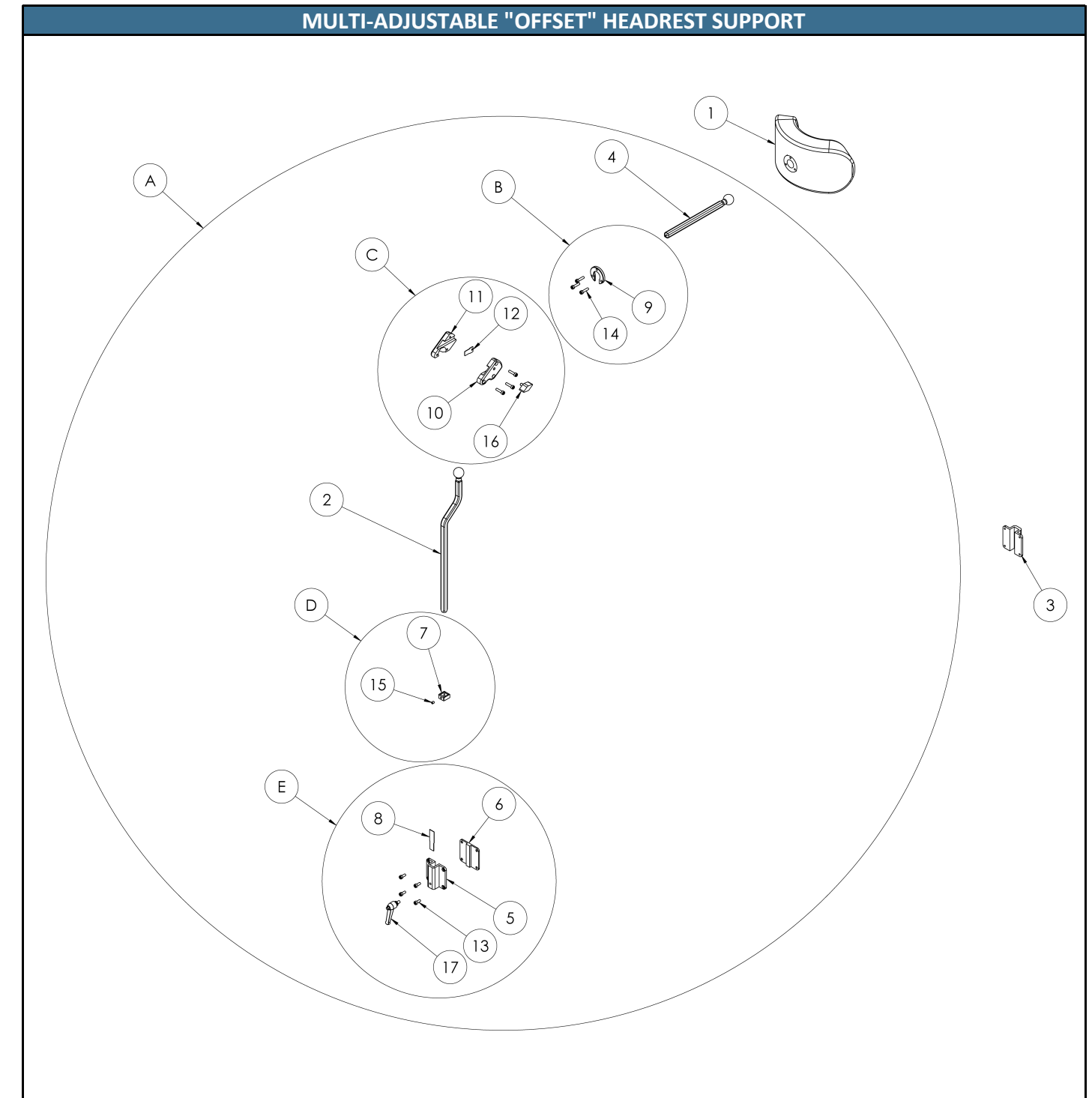
NO.	QTY	DRAWING NO.	DESCRIPTION
1	2	PH-02473	STROLLER BAR HANDLE 14" TO 17"
	2	PH-02481	STROLLER BAR HANDLE 18"- 20"
2	1	PH-02474	JUNCTION ROD 14" TO 20"
	1	PH-03951	JUNCTION ROD 21" TO 26"
3	4	PH-04982	CANE ADAPTOR 3/4"
4	2	ST-03686	BLACK SOFT TEXTURE VINYL GRIPS Ø3/4X12
5	2	ST-03740	PUSHER BUTTON ANGLE ADJUSTMENT
6	10	ST-50057	BUTTON HEAD CAP SCREW SS M5X0.8X10
7	2	ST-51997	BUTTON HEAD CAP SCREW SS M5X0.8X14



**MULTI-ADJUSTABLE "OFFSET" HEADREST SUPPORT**

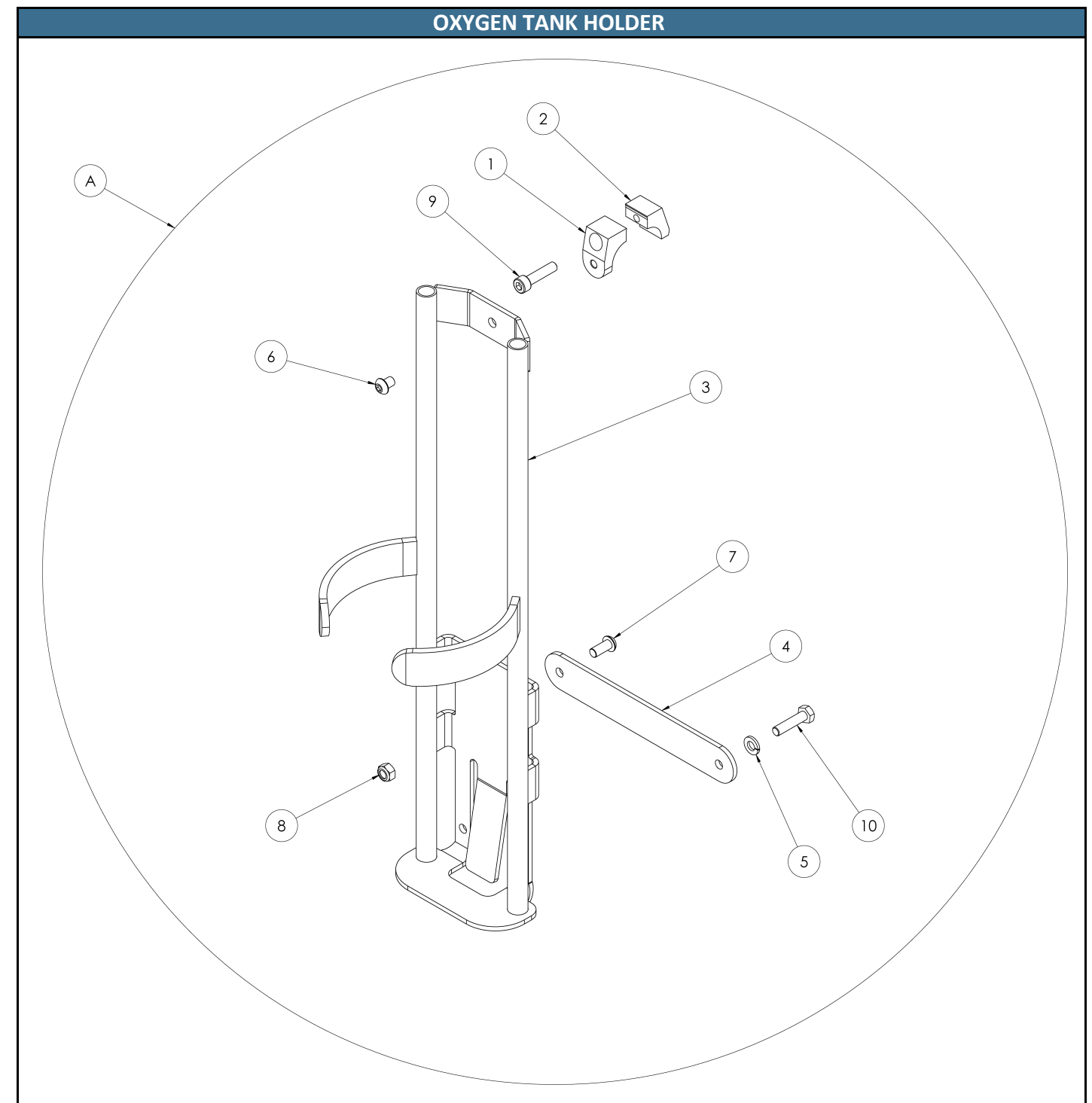
NO.	QTY	DRAWING NO.	DESCRIPTION
A	1	AT5120	MULTI-ADJUSTABLE OFFSET HEADREST SUPPORT
B	1	AT5210	HEADREST ANCHORING RING
C	1	AT5205	MULTI-ADJUSTABLE HEADREST SUPPORT MECHANISM
D	1	AT5230	LOCKING RING FOR HEADREST SUPPORT
E	1	AT5160	HEADREST SUPPORT FIXTURE MULTIADJUSTABLE

NO.	QTY	DRAWING NO.	DESCRIPTION
1	1	AT5000	SINGLE HEADREST #1 - 7" X 4"
	1	AT5005	SINGLE HEADREST #2 - 8" X 5"
	1	AT5010	SINGLE HEADREST #3 - 9" X 6"
	1	AT5715	SINGLE HEADREST #4 - 12" X 7"
	1	AT5720	SINGLE HEADREST #5 - 14" X 7"
2	1	AT5121	HEADREST ROD SUPPORT
3	1	AT5175	ANCHOR ADAPTER
4	1	AT5240	HEADREST SUPPORT STEM ROD
5	1	PH-00156	FIXATION ADAPTOR
6	1	PH-00157	FIXATION LOCK PLATE
7	1	PH-00159	LOCK 1/2"
8	1	PH-00160-LZ	SHIM LZ
9	1	PH-00197	HEADREST ANCHORING RING
10	1	PH-02849	HEADREST BRACKET (UNTHREADED SIDE)
11	1	PH-02850	HEADREST BRACKET (THREADED SIDE)
12	4	PH-03057-LZ	FRICTION PLATE LZ
13	3	ST-51404	SOCKET HEAD CAP SCREW SS M5X0.8X12
14	6	ST-51408	SOCKET HEAD CAP SCREW SS M5X0.8X20
15	1	ST-51707	SET SCREW CUP POINT SS M5X0.8X6
16	1	ST-52134	ELESA HANDLE M6X1.0X10
17	1	VR9938	RATCHET ADJUSTMENT HANDLE M6X1.0X10



## OXYGEN TANK HOLDER

NO.	QTY	DRAWING NO.	DESCRIPTION
1	1	PH-00592	BELT HOLDER 1" MALE
2	1	PH-00593	BELT HOLDER Ø1" FEMALE
3	1	PH-04855	NEOX AND DYNAMIC BOTTLE SUPPORT
4	1	PH-04856	SUPPORT ARM
5	1	ST-01640	LOCK WASHER ZI Ø1/4
6	1	ST-50111	BUTTON HEAD CAP SCREW SS M6X1.0X8
7	1	ST-50114	BUTTON HEAD CAP SCREW SS M6X1.0X14
8	1	ST-50284	LOCK NUT ZI M6X1.0
9	1	ST-51483	SOCKET SCREW SS M6X1.0X25
10	1	ST-51958	HEXAGONAL HEAD CAP SCREW SS M6X10X25





## BACKREST

DRAWING NO.	DESCRIPTION
D4250-1919	STANDARD ADJUSTABLE TENSION BACKREST 19" X 19" (48 CM X 48 CM)
D4250-1920	STANDARD ADJUSTABLE TENSION BACKREST 19" X 20" (48 CM X 50 CM)
D4250-1921	STANDARD ADJUSTABLE TENSION BACKREST 19" X 21" (48 CM X 54 CM)
D4250-1922	STANDARD ADJUSTABLE TENSION BACKREST 19" X 22" (48 CM X 56 CM)
D4250-1923	STANDARD ADJUSTABLE TENSION BACKREST 19" X 23" (48 CM X 58 CM)
D4250-1924	STANDARD ADJUSTABLE TENSION BACKREST 19" X 24" (48 CM X 60 CM)
D4250-2012	STANDARD ADJUSTABLE TENSION BACKREST 20" X 12" (50 CM X 30 CM)
D4250-2013	STANDARD ADJUSTABLE TENSION BACKREST 20" X 13" (50 CM X 32 CM)
D4250-2014	STANDARD ADJUSTABLE TENSION BACKREST 20" X 14" (50 CM X 36 CM)
D4250-2015	STANDARD ADJUSTABLE TENSION BACKREST 20" X 15" (50 CM X 38 CM)
D4250-2016	STANDARD ADJUSTABLE TENSION BACKREST 20" X 16" (50 CM X 40 CM)
D4250-2017	STANDARD ADJUSTABLE TENSION BACKREST 20" X 17" (50 CM X 44 CM)
D4250-2018	STANDARD ADJUSTABLE TENSION BACKREST 20" X 18" (50 CM X 46 CM)
D4250-2019	STANDARD ADJUSTABLE TENSION BACKREST 20" X 19" (50 CM X 48 CM)
D4250-2020	STANDARD ADJUSTABLE TENSION BACKREST 20" X 20" (50 CM X 50 CM)
D4250-2021	STANDARD ADJUSTABLE TENSION BACKREST 20" X 21" (50 CM X 54 CM)
D4250-2022	STANDARD ADJUSTABLE TENSION BACKREST 20" X 22" (50 CM X 56 CM)
D4250-2023	STANDARD ADJUSTABLE TENSION BACKREST 20" X 23" (50 CM X 58 CM)
D4250-2024	STANDARD ADJUSTABLE TENSION BACKREST 20" X 24" (50 CM X 60 CM)
D4250-2112	STANDARD ADJUSTABLE TENSION BACKREST 21" X 12" (53 CM X 30 CM)
D4250-2113	STANDARD ADJUSTABLE TENSION BACKREST 21" X 13" (53 CM X 32 CM)
D4250-2114	STANDARD ADJUSTABLE TENSION BACKREST 21" X 14" (53 CM X 36 CM)
D4250-2115	STANDARD ADJUSTABLE TENSION BACKREST 21" X 15" (53 CM X 38 CM)
D4250-2116	STANDARD ADJUSTABLE TENSION BACKREST 21" X 16" (53 CM X 40 CM)
D4250-2117	STANDARD ADJUSTABLE TENSION BACKREST 21" X 17" (53 CM X 44 CM)
D4250-2118	STANDARD ADJUSTABLE TENSION BACKREST 21" X 18" (53 CM X 46 CM)
D4250-2119	STANDARD ADJUSTABLE TENSION BACKREST 21" X 19" (53 CM X 48 CM)
D4250-2120	STANDARD ADJUSTABLE TENSION BACKREST 21" X 20" (53 CM X 50 CM)
D4250-2121	STANDARD ADJUSTABLE TENSION BACKREST 21" X 21" (53 CM X 54 CM)
D4250-2122	STANDARD ADJUSTABLE TENSION BACKREST 21" X 22" (53 CM X 56 CM)
D4250-2123	STANDARD ADJUSTABLE TENSION BACKREST 21" X 23" (53 CM X 58 CM)
D4250-2124	STANDARD ADJUSTABLE TENSION BACKREST 21" X 24" (53 CM X 60 CM)
D4250-2212	STANDARD ADJUSTABLE TENSION BACKREST 22" X 12" (55 CM X 30 CM)
D4250-2213	STANDARD ADJUSTABLE TENSION BACKREST 22" X 13" (55 CM X 32 CM)
D4250-2214	STANDARD ADJUSTABLE TENSION BACKREST 22" X 14" (55 CM X 36 CM)
D4250-2215	STANDARD ADJUSTABLE TENSION BACKREST 22" X 15" (55 CM X 38 CM)
D4250-2216	STANDARD ADJUSTABLE TENSION BACKREST 22" X 16" (55 CM X 40 CM)
D4250-2217	STANDARD ADJUSTABLE TENSION BACKREST 22" X 17" (55 CM X 44 CM)
D4250-2218	STANDARD ADJUSTABLE TENSION BACKREST 22" X 18" (55 CM X 46 CM)
D4250-2219	STANDARD ADJUSTABLE TENSION BACKREST 22" X 19" (55 CM X 48 CM)
D4250-2220	STANDARD ADJUSTABLE TENSION BACKREST 22" X 20" (55 CM X 50 CM)
D4250-2221	STANDARD ADJUSTABLE TENSION BACKREST 22" X 21" (55 CM X 54 CM)
D4250-2222	STANDARD ADJUSTABLE TENSION BACKREST 22" X 22" (55 CM X 56 CM)
D4250-2223	STANDARD ADJUSTABLE TENSION BACKREST 22" X 23" (55 CM X 58 CM)
D4250-2224	STANDARD ADJUSTABLE TENSION BACKREST 22" X 24" (55 CM X 60 CM)
D4250-2312	STANDARD ADJUSTABLE TENSION BACKREST 23" X 12" (58 CM X 30 CM)
D4250-2313	STANDARD ADJUSTABLE TENSION BACKREST 23" X 13" (58 CM X 32 CM)
D4250-2314	STANDARD ADJUSTABLE TENSION BACKREST 23" X 14" (58 CM X 36 CM)
D4250-2315	STANDARD ADJUSTABLE TENSION BACKREST 23" X 15" (58 CM X 38 CM)
D4250-2316	STANDARD ADJUSTABLE TENSION BACKREST 23" X 16" (58 CM X 40 CM)

## BACKREST

DRAWING NO.	DESCRIPTION
D4250-2317	STANDARD ADJUSTABLE TENSION BACKREST 23" X 17" (58 CM X 44 CM)
D4250-2318	STANDARD ADJUSTABLE TENSION BACKREST 23" X 18" (58 CM X 46 CM)
D4250-2319	STANDARD ADJUSTABLE TENSION BACKREST 23" X 19" (58 CM X 48 CM)
D4250-2320	STANDARD ADJUSTABLE TENSION BACKREST 23" X 20" (58 CM X 50 CM)
D4250-2321	STANDARD ADJUSTABLE TENSION BACKREST 23" X 21" (58 CM X 54 CM)
D4250-2322	STANDARD ADJUSTABLE TENSION BACKREST 23" X 22" (58 CM X 56 CM)
D4250-2323	STANDARD ADJUSTABLE TENSION BACKREST 23" X 23" (58 CM X 58 CM)
D4250-2324	STANDARD ADJUSTABLE TENSION BACKREST 23" X 24" (58 CM X 60 CM)
D4250-2412	STANDARD ADJUSTABLE TENSION BACKREST 24" X 12" (60 CM X 30 CM)
D4250-2413	STANDARD ADJUSTABLE TENSION BACKREST 24" X 13" (60 CM X 32 CM)
D4250-2414	STANDARD ADJUSTABLE TENSION BACKREST 24" X 14" (60 CM X 36 CM)
D4250-2415	STANDARD ADJUSTABLE TENSION BACKREST 24" X 15" (60 CM X 38 CM)
D4250-2416	STANDARD ADJUSTABLE TENSION BACKREST 24" X 16" (60 CM X 40 CM)
D4250-2417	STANDARD ADJUSTABLE TENSION BACKREST 24" X 17" (60 CM X 44 CM)
D4250-2418	STANDARD ADJUSTABLE TENSION BACKREST 24" X 18" (60 CM X 46 CM)
D4250-2419	STANDARD ADJUSTABLE TENSION BACKREST 24" X 19" (60 CM X 48 CM)
D4250-2420	STANDARD ADJUSTABLE TENSION BACKREST 24" X 20" (60 CM X 50 CM)
D4250-2421	STANDARD ADJUSTABLE TENSION BACKREST 24" X 21" (60 CM X 54 CM)
D4250-2422	STANDARD ADJUSTABLE TENSION BACKREST 24" X 22" (60 CM X 56 CM)
D4250-2423	STANDARD ADJUSTABLE TENSION BACKREST 24" X 23" (60 CM X 58 CM)
D4250-2424	STANDARD ADJUSTABLE TENSION BACKREST 24" X 24" (60 CM X 60 CM)

**PADDED CALF STRAP**

DRAWING NO.	DESCRIPTION
MI7120-07X4	KIT -SINGLE PADDING CALF STRAP 7" X 4"
MI7120-08X4	KIT -SINGLE PADDING CALF STRAP 8" X 4"
MI7120-09X4	KIT -SINGLE PADDING CALF STRAP 9" X 4"
MI7120-10X4	KIT -SINGLE PADDING CALF STRAP 10" X 4"
MI7120-11X4	KIT -SINGLE PADDING CALF STRAP 11" X 4"
MI7120-12X4	KIT -SINGLE PADDING CALF STRAP 12" X 4"
MI7120-13X4	KIT -SINGLE PADDING CALF STRAP 13" X 4"
MI7120-14X4	KIT -SINGLE PADDING CALF STRAP 14" X 4"
MI7120-15X4	KIT -SINGLE PADDING CALF STRAP 15" X 4"
MI7120-16X4	KIT -SINGLE PADDING CALF STRAP 16" X 4"
MI7120-17X4	KIT -SINGLE PADDING CALF STRAP 17" X 4"
MI7120-18X4	KIT -SINGLE PADDING CALF STRAP 18" X 4"
MI7120-19X4	KIT -SINGLE PADDING CALF STRAP 19" X 4"
MI7120-20X4	KIT -SINGLE PADDING CALF STRAP 20" X 4"
MI7120-21X4	KIT -SINGLE PADDING CALF STRAP 21" X 4"
MI7120-22X4	KIT -SINGLE PADDING CALF STRAP 22" X 4"
MI7120-23X4	KIT -SINGLE PADDING CALF STRAP 23" X 4"
MI7120-26X4	KIT -SINGLE PADDING CALF STRAP 26" X 4"
MI7125-10X8	KIT -DOUBLE PADDING CALF STRAP 10" X 8"
MI7125-11X8	KIT -DOUBLE PADDING CALF STRAP 11" X 8"
MI7125-12X8	KIT -DOUBLE PADDING CALF STRAP 12" X 8"
MI7125-13X8	KIT -DOUBLE PADDING CALF STRAP 13" X 8"
MI7125-14X8	KIT -DOUBLE PADDING CALF STRAP 14" X 8"
MI7125-15X8	KIT -DOUBLE PADDING CALF STRAP 15" X 8"
MI7125-16X8	KIT -DOUBLE PADDING CALF STRAP 16" X 8"
MI7125-17X8	KIT -DOUBLE PADDING CALF STRAP 17" X 8"
MI7125-18X8	KIT -DOUBLE PADDING CALF STRAP 18" X 8"
MI7125-19X8	KIT -DOUBLE PADDING CALF STRAP 19" X 8"
MI7125-20X8	KIT -DOUBLE PADDING CALF STRAP 20" X 8"
MI7125-21X8	KIT -DOUBLE PADDING CALF STRAP 21" X 8"
MI7125-22X8	KIT -DOUBLE PADDING CALF STRAP 22" X 8"
MI7125-23X8	KIT -DOUBLE PADDING CALF STRAP 23" X 8"
MI7125-24X8	KIT -DOUBLE PADDING CALF STRAP 24" X 8"
MI7125-26X8	KIT -DOUBLE PADDING CALF STRAP 26" X 8"

**OTHER OPTIONS**

DRAWING NO.	DESCRIPTION
FO-00321	RED AND WHITE REFLECTIVE TAPE
SC7725	POSITIONING BELT



# PHYSIPRO

[www.physipro.com](http://www.physipro.com)

## Canada



LES ÉQUIPEMENTS  
ADAPTÉS PHYSIPRO INC.

370, 10<sup>th</sup> Avenue South  
Sherbrooke (Québec)  
J1G 2R7 Canada

T. 1 800 668-2252  
F. 819 565-3337  
[order@physipro.com](mailto:order@physipro.com)

## Europe



Importer :  
SASU PHYSIPRO IMPORT

Village des entrepreneurs  
461, Saint-Léonard Street  
49000 Angers - France

T. 02 41 69 38 01  
F. 02.41.69.43.32  
[contact@physipro.fr](mailto:contact@physipro.fr)