

XL 
XL RF


PHYSIPRO

Parts Catalog



Physipro is a leading provider of high quality seating and mobility products.

TABLE OF CONTENTS

XL5 – SIMPLE CROSS-BRACE.....	3
XL RF (HEAVY DUTY) – DOUBLE CROSS-BRACE	5
REAR FRAME.....	7
XL5 – FRONT FRAME.....	8
XL RF (HEAVY DUTY) – FRONT FRAME	9
XL5 – HEMI FRONT FRAME.....	10
XL RF (HEAVY DUTY) – HEMI FRONT FRAME.....	11
STANDARD CASTER.....	12
PROPULSION WHEEL.....	13
SPOKE-GUARD	15
ONE-ARM DRIVE MECHANISM.....	16
ONE-ARM WHEEL LOCK.....	18
ANTI-ROLLBACK WHEEL LOCK	19
WHEEL LOCK.....	20
ANTI-TIP	21
" L " TYPE ARMREST	22
CLOTHING GUARD.....	23
" U " TYPE ARMREST.....	24
" T " TYPE ARMREST	26
ADJUSTABLE BACK POST FOR " U " TYPE ARMREST.....	27
ADJUSTABLE BACK POST FOR " T " TYPE ARMREST.....	28
FOLD-DOWN BACK POST	29
DYNAMIC BACK POST	30
FOOTREST.....	31
ELEVATING AND ARTICULATING LEGREST	32
CALF SUPPORT.....	33
FLIP-UP FOOTPLATE	34
FLIP-UP & ADJUSTABLE FOOTPLATE	35
ONE PIECE FLIP-UP FOOTPLATE.....	37
ADJUSTABLE STROLLER BAR	39
FOLDING TENSION BAR.....	40
FOLDING TENSION BAR WITH HEADREST MOUNTING FIXTURE	41
MULTI-ADJUSTABLE " OFFSET " HEADREST SUPPORT.....	42
CANE HOLDER	43
SEAT CUSHION.....	44
SLING BACKREST	48
SLING SEAT.....	51
PADDED CALF STRAP	54
OTHER OPTIONS.....	54

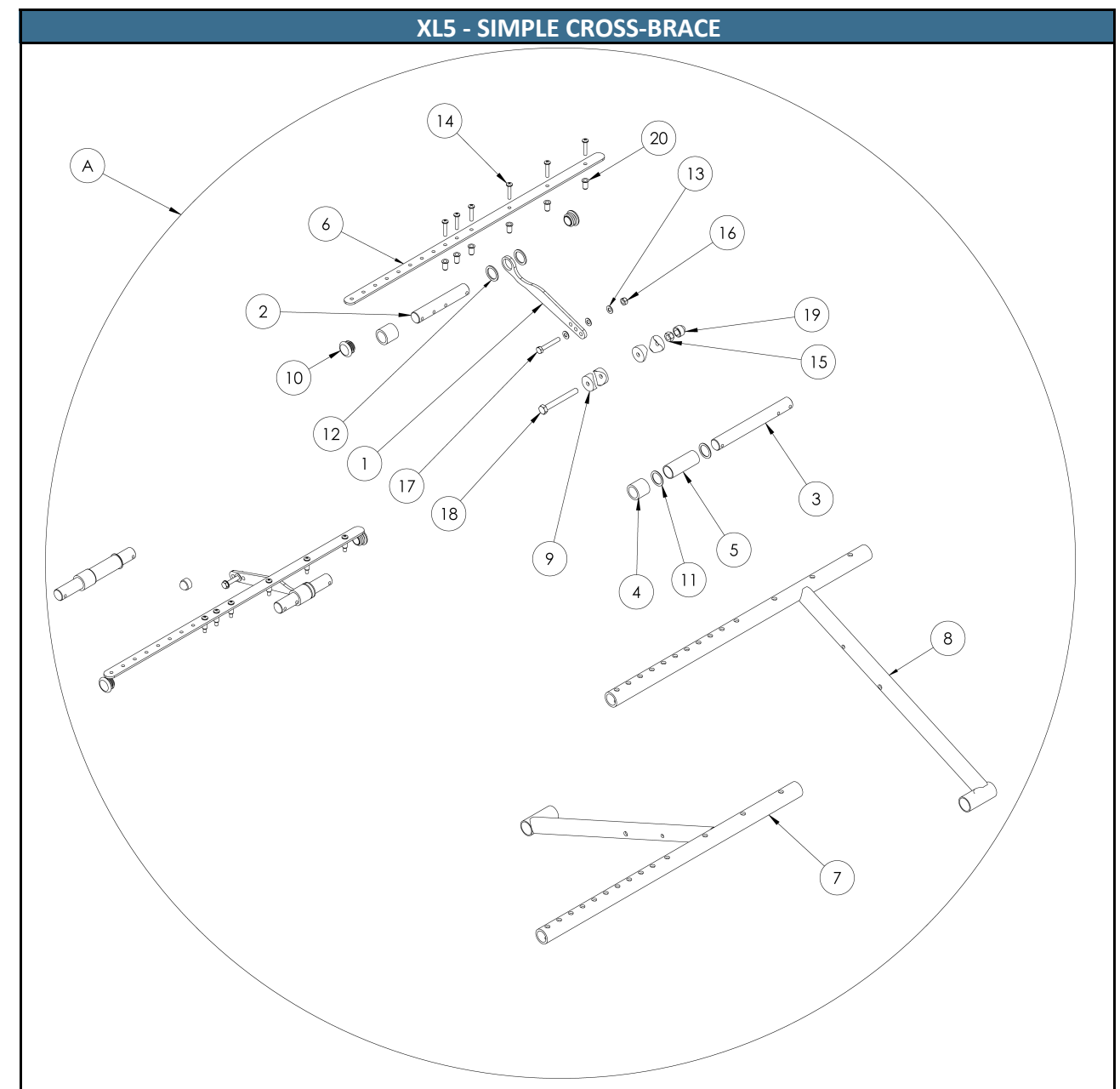
XL5 - SIMPLE CROSS-BRACE

NO.	QTY	DRAWING NO.	DESCRIPTION
A	1	CUNI-12-S	UNIVERSAL SIMPLE CROSS-BRACE ASSEMBLY - 12" WIDTH
	1	CUNI-13-S	UNIVERSAL SIMPLE CROSS-BRACE ASSEMBLY - 13" WIDTH
	1	CUNI-14-S	UNIVERSAL SIMPLE CROSS-BRACE ASSEMBLY - 14" WIDTH
	1	CUNI-15-S	UNIVERSAL SIMPLE CROSS-BRACE ASSEMBLY - 15" WIDTH
	1	CUNI-16-S	UNIVERSAL SIMPLE CROSS-BRACE ASSEMBLY - 16" WIDTH
	1	CUNI-17-S	UNIVERSAL SIMPLE CROSS-BRACE ASSEMBLY - 17" WIDTH
	1	CUNI-18-S	UNIVERSAL SIMPLE CROSS-BRACE ASSEMBLY - 18" WIDTH
	1	CUNI-19-S	UNIVERSAL SIMPLE CROSS-BRACE ASSEMBLY - 19" WIDTH
	1	CUNI-20-S	UNIVERSAL SIMPLE CROSS-BRACE ASSEMBLY - 20" WIDTH
	1	CUNI-21-S	UNIVERSAL SIMPLE CROSS-BRACE ASSEMBLY - 21" WIDTH
	1	CUNI-22-S	UNIVERSAL SIMPLE CROSS-BRACE ASSEMBLY - 22" WIDTH
	1	CUNI-12-CIS	UNIVERSAL CI SIMPLE CROSS-BRACE ASSEMBLY - 12" WIDTH
	1	CUNI-13-CIS	UNIVERSAL CI SIMPLE CROSS-BRACE ASSEMBLY - 13" WIDTH
	1	CUNI-14-CIS	UNIVERSAL CI SIMPLE CROSS-BRACE ASSEMBLY - 14" WIDTH
	1	CUNI-15-CIS	UNIVERSAL CI SIMPLE CROSS-BRACE ASSEMBLY - 15" WIDTH
	1	CUNI-16-CIS	UNIVERSAL CI SIMPLE CROSS-BRACE ASSEMBLY - 16" WIDTH
	1	CUNI-17-CIS	UNIVERSAL CI SIMPLE CROSS-BRACE ASSEMBLY - 17" WIDTH
	1	CUNI-18-CIS	UNIVERSAL CI SIMPLE CROSS-BRACE ASSEMBLY - 18" WIDTH
	1	CUNI-19-CIS	UNIVERSAL CI SIMPLE CROSS-BRACE ASSEMBLY - 19" WIDTH
	1	CUNI-20-CIS	UNIVERSAL CI SIMPLE CROSS-BRACE ASSEMBLY - 20" WIDTH
	1	CUNI-21-CIS	UNIVERSAL CI SIMPLE CROSS-BRACE ASSEMBLY - 21" WIDTH
	1	CUNI-22-CIS	UNIVERSAL CI SIMPLE CROSS-BRACE ASSEMBLY - 22" WIDTH

NO.	QTY	DRAWING NO.	DESCRIPTION
1	2	PH-00948	CROSS BAR ARM X-SMALL - 11" TO 14"
	2	PH-00949	CROSS BAR ARM SMALL - 15" TO 17"
	2	PH-00950	CROSS BAR ARM MEDIUM - 18" TO 20"
	2	PH-00951	CROSS BAR ARM LARGE - 21" TO 22"
	2	PH-03032	CROSS-BRACE ARM CI X-SM - 12" TO 14"
	2	PH-03033	CROSS-BRACE ARM CI SMALL - 15" TO 17"
	2	PH-03034	CROSS-BRACE ARM CI MEDIUM - 18" TO 20"
	2	PH-03035	CROSS-BRACE ARM CI LARGE - 21" AND 22"
2	2	PH-00954	JUNCTION ROD 1,2 ET 3
	2	PH-00956	JUNCTION ROD 4 & 5
3	2	PH-00954	JUNCTION ROD 1,2 ET 3
	2	PH-00956	JUNCTION ROD 4 & 5
	2	PH-00958	JUNCTION ROD 6 & 7
4	4	PH-00959**	SPACER 1/4
	4	PH-00961**	SPACER 15/16 CROSS-BRACE ROB
	4	PH-00979**	SPACER 1-1/4
	4	PH-05757**	CROSS-BRACE SPACER 2"
	4	PH-05758**	CROSS-BRACE SPACER 3"
5	2	PH-00964	BUSHING PIVOT STD
6	2	PH-05684	UNIVERSAL RAIL
7	1	PH-05708-L	UNIVERSAL SIMPLE LEFT CROSS-BRACE 12"
	1	PH-05709-L	UNIVERSAL SIMPLE LEFT CROSS-BRACE 13"
	1	PH-05710-L	UNIVERSAL SIMPLE LEFT CROSS-BRACE 14"
	1	PH-05711-L	UNIVERSAL SIMPLE LEFT CROSS-BRACE 15"

XL5 - SIMPLE CROSS-BRACE

NO.	QTY	DRAWING NO.	DESCRIPTION
7	1	PH-05712-L	UNIVERSAL SIMPLE LEFT CROSS-BRACE 16"
	1	PH-05713-L	UNIVERSAL SIMPLE LEFT CROSS-BRACE 17"
	1	PH-05714-L	UNIVERSAL SIMPLE LEFT CROSS-BRACE 18"
	1	PH-05715-L	UNIVERSAL SIMPLE LEFT CROSS-BRACE 19"
	1	PH-05716-L	UNIVERSAL SIMPLE LEFT CROSS-BRACE 20"
	1	PH-05717-L	UNIVERSAL SIMPLE LEFT CROSS-BRACE 21"
	1	PH-05718-L	UNIVERSAL SIMPLE LEFT CROSS-BRACE 22"
	1	PH-05728-L	UNIVERSAL SIMPLE CI LEFT CROSS-BRACE 12"
	1	PH-05729-L	UNIVERSAL SIMPLE CI LEFT CROSS-BRACE 13"
	1	PH-05730-L	UNIVERSAL SIMPLE CI LEFT CROSS-BRACE 14"
	1	PH-05731-L	UNIVERSAL SIMPLE CI LEFT CROSS-BRACE 15"

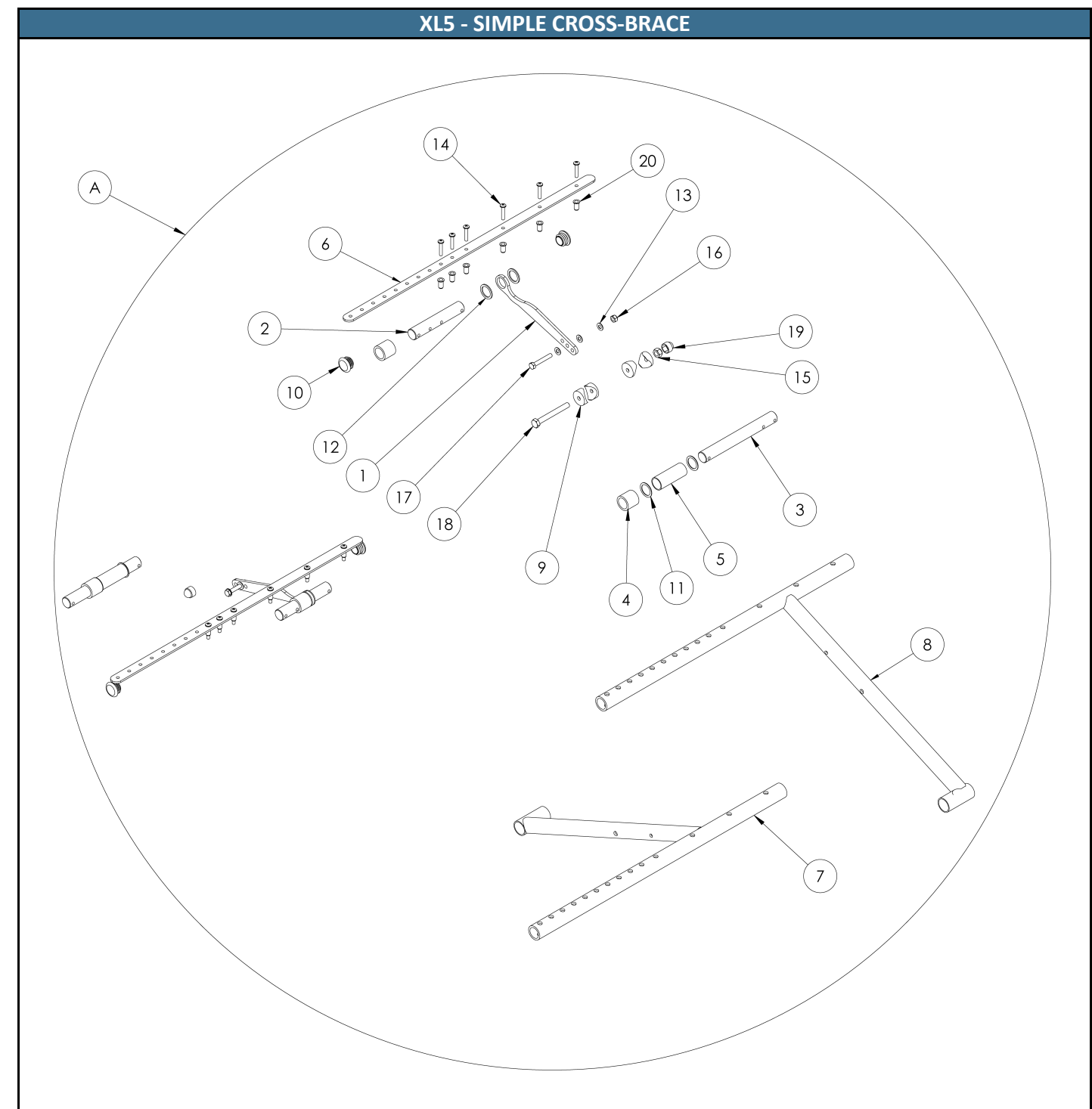


XL5 - SIMPLE CROSS-BRACE

NO.	QTY	DRAWING NO.	DESCRIPTION
7	1	PH-05732-L	UNIVERSAL SIMPLE CI LEFT CROSS-BRACE 16"
	1	PH-05733-L	UNIVERSAL SIMPLE CI LEFT CROSS-BRACE 17"
	1	PH-05734-L	UNIVERSAL SIMPLE CI LEFT CROSS-BRACE 18"
	1	PH-05735-L	UNIVERSAL SIMPLE CI LEFT CROSS-BRACE 19"
	1	PH-05736-L	UNIVERSAL SIMPLE CI LEFT CROSS-BRACE 20"
	1	PH-05737-L	UNIVERSAL SIMPLE CI LEFT CROSS-BRACE 21"
	1	PH-05738-L	UNIVERSAL SIMPLE CI LEFT CROSS-BRACE 22"
8	1	PH-05708-R	UNIVERSAL SIMPLE RIGHT CROSS-BRACE 12"
	1	PH-05709-R	UNIVERSAL SIMPLE RIGHT CROSS-BRACE 13"
	1	PH-05710-R	UNIVERSAL SIMPLE RIGHT CROSS-BRACE 14"
	1	PH-05711-R	UNIVERSAL SIMPLE RIGHT CROSS-BRACE 15"
	1	PH-05712-R	UNIVERSAL SIMPLE RIGHT CROSS-BRACE 16"
	1	PH-05713-R	UNIVERSAL SIMPLE RIGHT CROSS-BRACE 17"
	1	PH-05714-R	UNIVERSAL SIMPLE RIGHT CROSS-BRACE 18"
	1	PH-05715-R	UNIVERSAL SIMPLE RIGHT CROSS-BRACE 19"
	1	PH-05716-R	UNIVERSAL SIMPLE RIGHT CROSS-BRACE 20"
	1	PH-05717-R	UNIVERSAL SIMPLE RIGHT CROSS-BRACE 21"
	1	PH-05718-R	UNIVERSAL SIMPLE RIGHT CROSS-BRACE 22"
	1	PH-05728-R	UNIVERSAL SIMPLE CI RIGHT CROSS-BRACE 12"
	1	PH-05729-R	UNIVERSAL SIMPLE CI RIGHT CROSS-BRACE 13"
	1	PH-05730-R	UNIVERSAL SIMPLE CI RIGHT CROSS-BRACE 14"
	1	PH-05731-R	UNIVERSAL SIMPLE CI RIGHT CROSS-BRACE 15"
	1	PH-05732-R	UNIVERSAL SIMPLE CI RIGHT CROSS-BRACE 16"
	1	PH-05733-R	UNIVERSAL SIMPLE CI RIGHT CROSS-BRACE 17"
	1	PH-05734-R	UNIVERSAL SIMPLE CI RIGHT CROSS-BRACE 18"
	1	PH-05735-R	UNIVERSAL SIMPLE CI RIGHT CROSS-BRACE 19"
	1	PH-05736-R	UNIVERSAL SIMPLE CI RIGHT CROSS-BRACE 20"
	1	PH-05737-R	UNIVERSAL SIMPLE CI RIGHT CROSS-BRACE 21"
	1	PH-05738-R	UNIVERSAL SIMPLE CI RIGHT CROSS-BRACE 22"
9	4	ST-02533	SADDLE Ø1"
10	4	ST-02625	PLASTIC CAP Ø1
11	4	ST-02672	FIBER FLAT WASHER Ø1XØ3/4X1/32
12	4	ST-02920	FIBRE WASHER FLAT Ø3/4XØ1X1/16
13	6	ST-03020	PLASTIC FLAT WASHER Ø1/4
14	12*	ST-03144*	BUTTON HEAD PHILIPS ZI #10-32X1
15	1	ST-50279	LOCK NUT SS M8X1.25
16	2	ST-50284	LOCK NUT ZI M6X1.0
17	2	ST-50922	HEXAGONAL HEAD CAP SCREW SS M6X1.0X40
18	1	ST-50960	HEXAGONAL HEAD CAP SCREW SS M8X1.25X75
19	1	ST-51916	DECORATIVE M8 SCREW COVER CAP
20	12*	ST-52874*	RIVET NUT ZI M5X0.8X33

* THE QUANTITY VARIES ACCORDING TO THE DEPTH

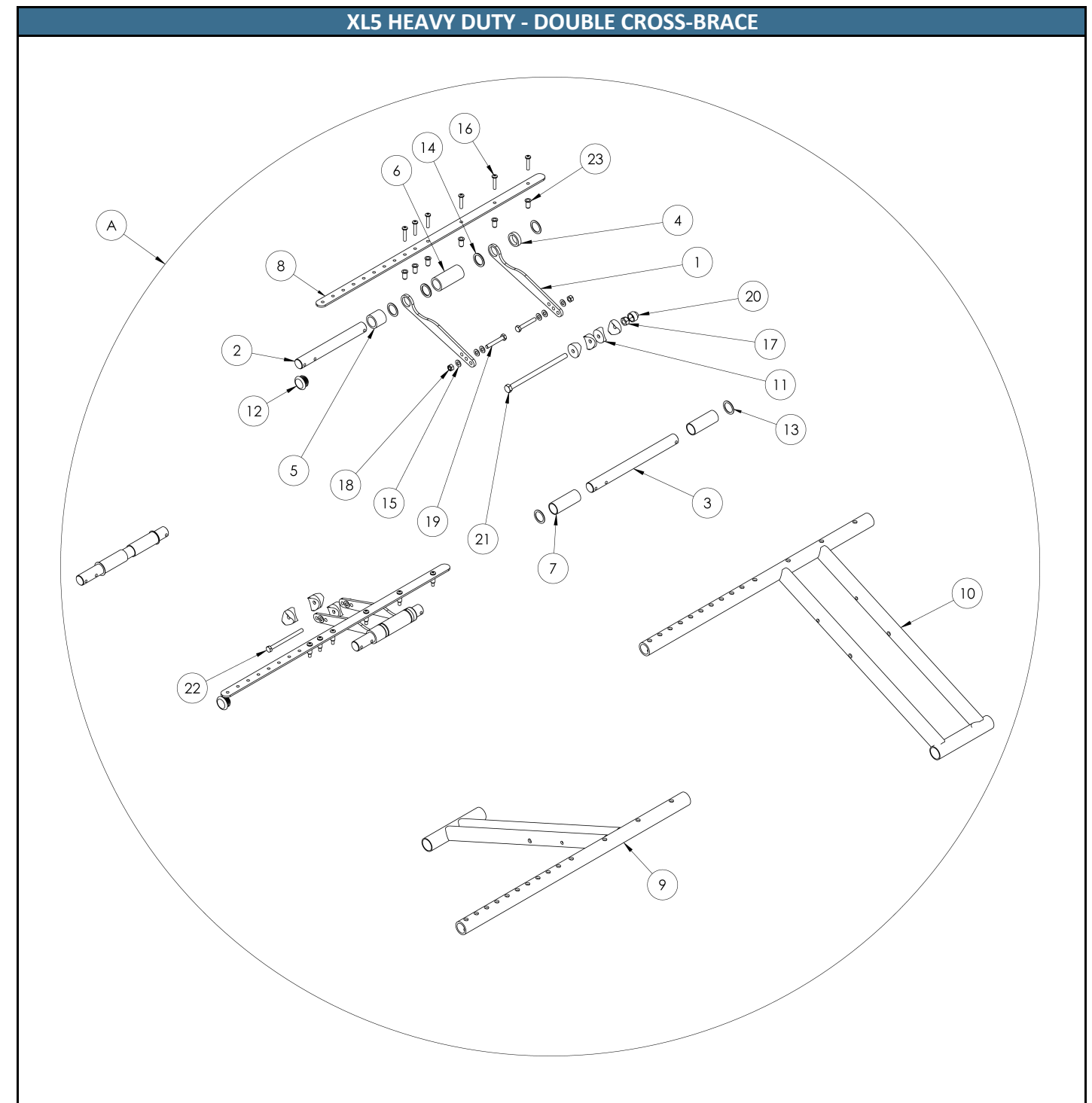
** THE QUANTITY AND THE ITEM NUMBER VARY ACCORDING TO THE DEPTH



XL RF (HEAVY DUTY) - DOUBLE CROSS-BRACE

NO.	QTY	DRAWING NO.	DESCRIPTION
A	1	CUNI-16-D	UNIVERSAL DOUBLE CROSS-BRACE ASSEMBLY - 16" WIDTH
	1	CUNI-17-D	UNIVERSAL DOUBLE CROSS-BRACE ASSEMBLY - 17" WIDTH
	1	CUNI-18-D	UNIVERSAL DOUBLE CROSS-BRACE ASSEMBLY - 18" WIDTH
	1	CUNI-19-D	UNIVERSAL DOUBLE CROSS-BRACE ASSEMBLY - 19" WIDTH
	1	CUNI-20-D	UNIVERSAL DOUBLE CROSS-BRACE ASSEMBLY - 20" WIDTH
	1	CUNI-21-D	UNIVERSAL DOUBLE CROSS-BRACE ASSEMBLY - 21" WIDTH
	1	CUNI-22-D	UNIVERSAL DOUBLE CROSS-BRACE ASSEMBLY - 22" WIDTH
	1	CUNI-23-D	UNIVERSAL DOUBLE CROSS-BRACE ASSEMBLY - 23" WIDTH
	1	CUNI-24-D	UNIVERSAL DOUBLE CROSS-BRACE ASSEMBLY - 24" WIDTH
	1	CUNI-16-CID	UNIVERSAL CI DOUBLE CROSS-BRACE ASSEMBLY - 16" WIDTH
	1	CUNI-17-CID	UNIVERSAL CI DOUBLE CROSS-BRACE ASSEMBLY - 17" WIDTH
	1	CUNI-18-CID	UNIVERSAL CI DOUBLE CROSS-BRACE ASSEMBLY - 18" WIDTH
	1	CUNI-19-CID	UNIVERSAL CI DOUBLE CROSS-BRACE ASSEMBLY - 19" WIDTH
	1	CUNI-20-CID	UNIVERSAL CI DOUBLE CROSS-BRACE ASSEMBLY - 20" WIDTH
	1	CUNI-21-CID	UNIVERSAL CI DOUBLE CROSS-BRACE ASSEMBLY - 21" WIDTH
	1	CUNI-22-CID	UNIVERSAL CI DOUBLE CROSS-BRACE ASSEMBLY - 22" WIDTH
	1	CUNI-23-CID	UNIVERSAL CI DOUBLE CROSS-BRACE ASSEMBLY - 23" WIDTH
	1	CUNI-24-CID	UNIVERSAL CI DOUBLE CROSS-BRACE ASSEMBLY - 24" WIDTH

NO.	QTY	DRAWING NO.	DESCRIPTION
1	4	PH-00949	CROSS BAR ARM SMALL - 15" TO 17"
	4	PH-00950	CROSS BAR ARM MEDIUM - 18" TO 20"
	4	PH-00951	CROSS BAR ARM LARGE - 21" TO 22"
	4	PH-03428	CROSS-BRACE FIX PLATE
	4	PH-03033	CROSS-BRACE ARM CI SMALL - 15" TO 17"
	4	PH-03034	CROSS-BRACE ARM CI MEDIUM - 18" TO 20"
	4	PH-03035	CROSS-BRACE ARM CI LARGE - 21" AND 22"
	4	PH-04949	DOUBLE CROSS-BRACE CI ARM - 23" AND 24"
2	2	PH-00956	JUNCTION ROD 4 & 5
3	2	PH-00958	JUNCTION ROD 6 & 7
4	2	PH-00959	SPACER 1/4
	2	PH-00959**	SPACER 1/4
	2	PH-00961**	SPACER 15/16 CROSS-BRACE ROB
5	2	PH-00979**	SPACER 1-1/4
	2	PH-05757**	CROSS-BRACE SPACER 2"
	2	PH-05758**	CROSS-BRACE SPACER 3"
6	2	PH-00963	SPACER 2-3/16 CROSS-BRACE DOUBLE SMALL
7	4	PH-00964	BUSHING PIVOT STD
8	2	PH-05684	UNIVERSAL RAIL
	1	PH-05719-L	UNIVERSAL DOUBLE LEFT CROSS-BRACE 16"
	1	PH-05720-L	UNIVERSAL DOUBLE LEFT CROSS-BRACE 17"
	1	PH-05721-L	UNIVERSAL DOUBLE LEFT CROSS-BRACE 18"
	1	PH-05722-L	UNIVERSAL DOUBLE LEFT CROSS-BRACE 19"
	1	PH-05723-L	UNIVERSAL DOUBLE LEFT CROSS-BRACE 20"
	1	PH-05724-L	UNIVERSAL DOUBLE LEFT CROSS-BRACE 21"
	1	PH-05725-L	UNIVERSAL DOUBLE LEFT CROSS-BRACE 22"
	1	PH-05726-L	UNIVERSAL DOUBLE LEFT CROSS-BRACE 23"
	1	PH-05727-L	UNIVERSAL DOUBLE LEFT CROSS-BRACE 24"

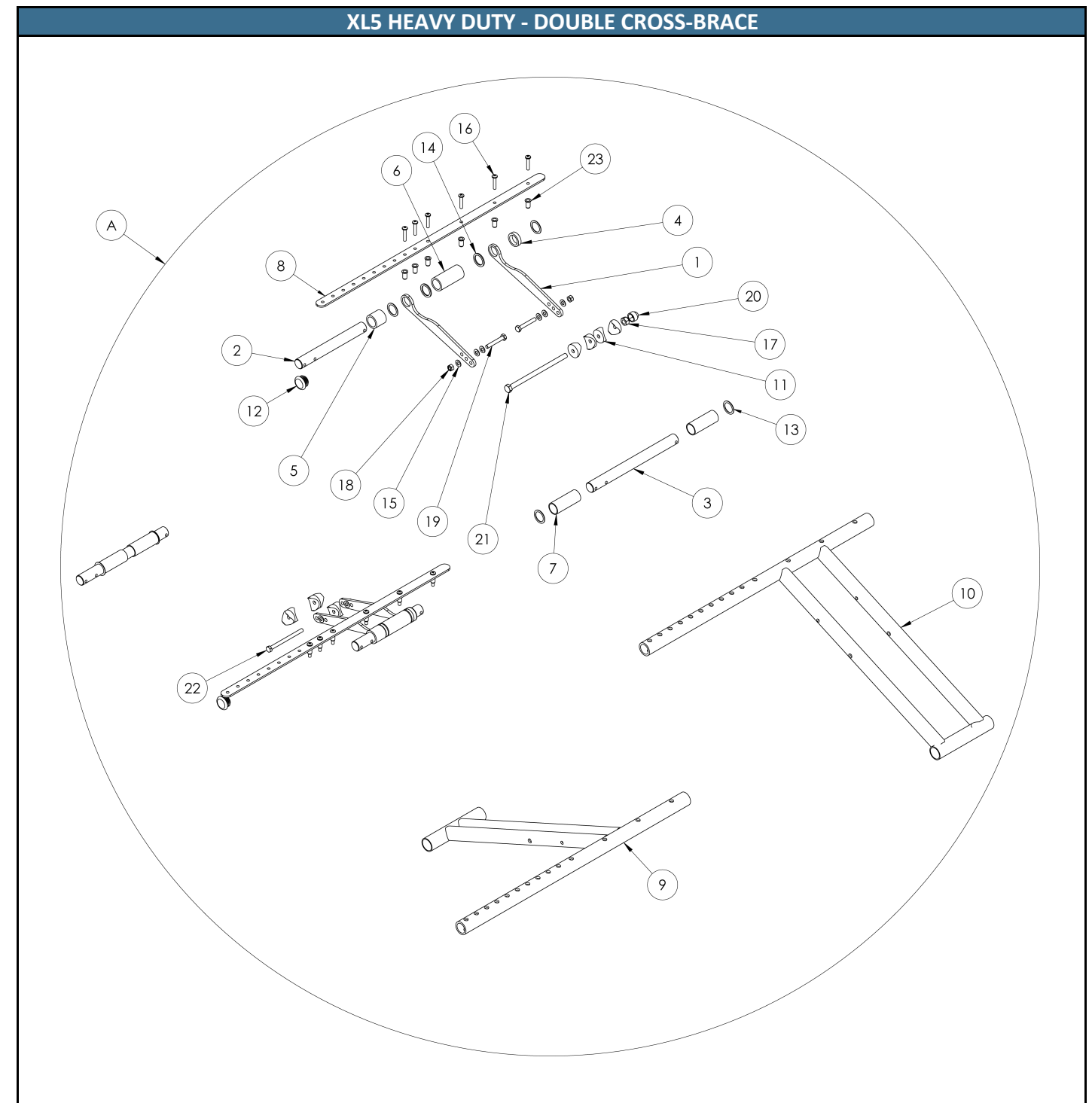


XL RF (HEAVY DUTY) - DOUBLE CROSS-BRACE

NO.	QTY	DRAWING NO.	DESCRIPTION
9	1	PH-05739-L	UNIVERSAL DOUBLE CI LEFT CROSS-BRACE 16"
	1	PH-05741-L	UNIVERSAL DOUBLE CI LEFT CROSS-BRACE 18"
	1	PH-05740-L	UNIVERSAL DOUBLE CI LEFT CROSS-BRACE 17"
	1	PH-05741-L	UNIVERSAL DOUBLE CI LEFT CROSS-BRACE 18"
	1	PH-05742-L	UNIVERSAL DOUBLE CI LEFT CROSS-BRACE 19"
	1	PH-05743-L	UNIVERSAL DOUBLE CI LEFT CROSS-BRACE 20"
	1	PH-05744-L	UNIVERSAL DOUBLE CI LEFT CROSS-BRACE 21"
	1	PH-05745-L	UNIVERSAL DOUBLE CI LEFT CROSS-BRACE 22"
	1	PH-05746-L	UNIVERSAL DOUBLE CI LEFT CROSS-BRACE 23"
	1	PH-05747-L	UNIVERSAL DOUBLE CI LEFT CROSS-BRACE 24"
10	1	PH-05719-R	UNIVERSAL DOUBLE RIGHT CROSS-BRACE 16"
	1	PH-05720-R	UNIVERSAL DOUBLE RIGHT CROSS-BRACE 17"
	1	PH-05721-R	UNIVERSAL DOUBLE RIGHT CROSS-BRACE 18"
	1	PH-05722-L	UNIVERSAL DOUBLE LEFT CROSS-BRACE 19"
	1	PH-05723-R	UNIVERSAL DOUBLE RIGHT CROSS-BRACE 20"
	1	PH-05724-R	UNIVERSAL DOUBLE RIGHT CROSS-BRACE 21"
	1	PH-05725-R	UNIVERSAL DOUBLE RIGHT CROSS-BRACE 22"
	1	PH-05726-R	UNIVERSAL DOUBLE RIGHT CROSS-BRACE 23"
	1	PH-05727-R	UNIVERSAL DOUBLE RIGHT CROSS-BRACE 24"
	1	PH-05739-R	UNIVERSAL DOUBLE CI RIGHT CROSS-BRACE 16"
	1	PH-05740-R	UNIVERSAL DOUBLE CI RIGHT CROSS-BRACE 17"
	1	PH-05741-R	UNIVERSAL DOUBLE CI RIGHT CROSS-BRACE 18"
	1	PH-05742-R	UNIVERSAL DOUBLE CI RIGHT CROSS-BRACE 19"
	1	PH-05743-R	UNIVERSAL DOUBLE CI RIGHT CROSS-BRACE 20"
1	PH-05744-R	UNIVERSAL DOUBLE CI RIGHT CROSS-BRACE 21"	
1	PH-05745-R	UNIVERSAL DOUBLE CI RIGHT CROSS-BRACE 22"	
1	PH-05746-R	UNIVERSAL DOUBLE CI RIGHT CROSS-BRACE 23"	
1	PH-05747-R	UNIVERSAL DOUBLE CI RIGHT CROSS-BRACE 24"	
11	10	ST-02533	SADDLE Ø1"
12	2	ST-02625	PLASTIC CAP Ø1
13	8	ST-02672	FIBER FLAT WASHER Ø1XØ3/4X1/32
14	4	ST-02920	FIBRE WASHER FLAT Ø3/4XØ1X1/16
15	10	ST-03020	PLASTIC FLAT WASHER Ø1/4
16	12	ST-03144*	BUTTON HEAD PHILIPS ZI #10-32X1
17	1	ST-50279	LOCK NUT SS M8X1.25
18	3	ST-50284	LOCK NUT ZI M6X1.0
19	2	ST-50922	HEXAGONAL HEAD CAP SCREW SS M6X1.0X40
20	1	ST-51916	DECORATIVE M8 SCREW COVER CAP
21	1	ST-52793	HEXAGONAL HEAD CAP SCREW SS M8X1.25X140
22	1	ST-52819	HEXAGONAL HEAD CAP SCREW ZI M6X1.0X80
23	12	ST-52874*	RIVET NUT ZI M5X0.8X33

* THE QUANTITY VARIES ACCORDING TO THE DEPTH

** THE QUANTITY AND THE ITEM NUMBER VARY ACCORDING TO THE DEPTH



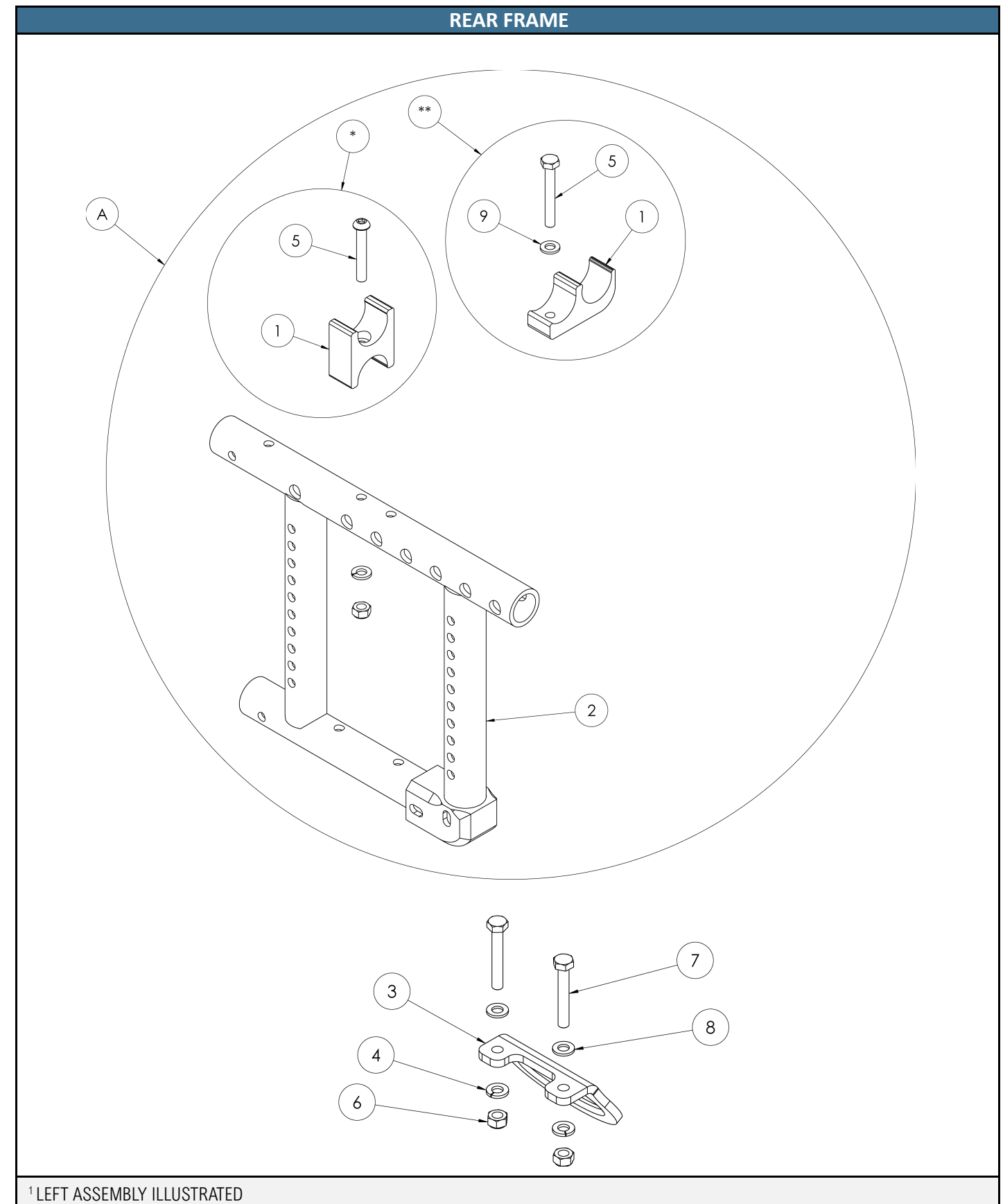
REAR FRAME

NO.	QTY	DRAWING NO.	DESCRIPTION
A	1	02-00001	LEFT REAR FRAME
	1	02-00004	RIGHT REAR FRAME

NO.	QTY	DRAWING NO.	DESCRIPTION
1	1	PH-00969*	CROSS-BRACE SPACER
	1	PH-01860**	CROSS-BRACE HOLDER
2	1	PH-02249	REAR FRAME WELDING ASSEMBLY
3	1	PH-05441	ANCHORING FOR TRANSPORT
4	3	ST-01640	LOCK WASHER ZI Ø1/4
5	1	ST-50121*	BUTTON HEAD CAP SCREW SS M6X1.0X40
	1	ST-50923**	HEXAGONAL HEAD CAP SCREW SS M6X1.0X45
6	3	ST-50284	LOCK NUT ZI M6X1.0
7	2	ST-50922	HEXAGONAL HEAD CAP SCREW SS M6X1.0X40
8	2	ST-51066	FLAT WASHER SS M6
9	1	ST-51066**	FLAT WASHER SS M6

* PIECE USED FOR HEIGHTS OF 13" AND +

** PIECE USED FOR HEIGHTS OF 11 1/2" TO 12 1/2"



¹ LEFT ASSEMBLY ILLUSTRATED

XL5 - FRONT FRAME

NO.	QTY	DRAWING NO.	DESCRIPTION
A	1	PH-05468-L	LEFT X-SMALL XL FRONT FRAME
	1	PH-05468-R	RIGHT X-SMALL XL FRONT FRAME
	1	PH-05480-L	LEFT SMALL XL FRONT FRAME
	1	PH-05480-R	RIGHT SMALL XL FRONT FRAME
	1	PH-05518-L	LEFT MEDIUM XL FRONT FRAME
	1	PH-05518-R	RIGHT MEDIUM XL FRONT FRAME
	1	PH-05527-L	LEFT LARGE XL FRONT FRAME
	1	PH-05527-R	RIGHT LARGE XL FRONT FRAME

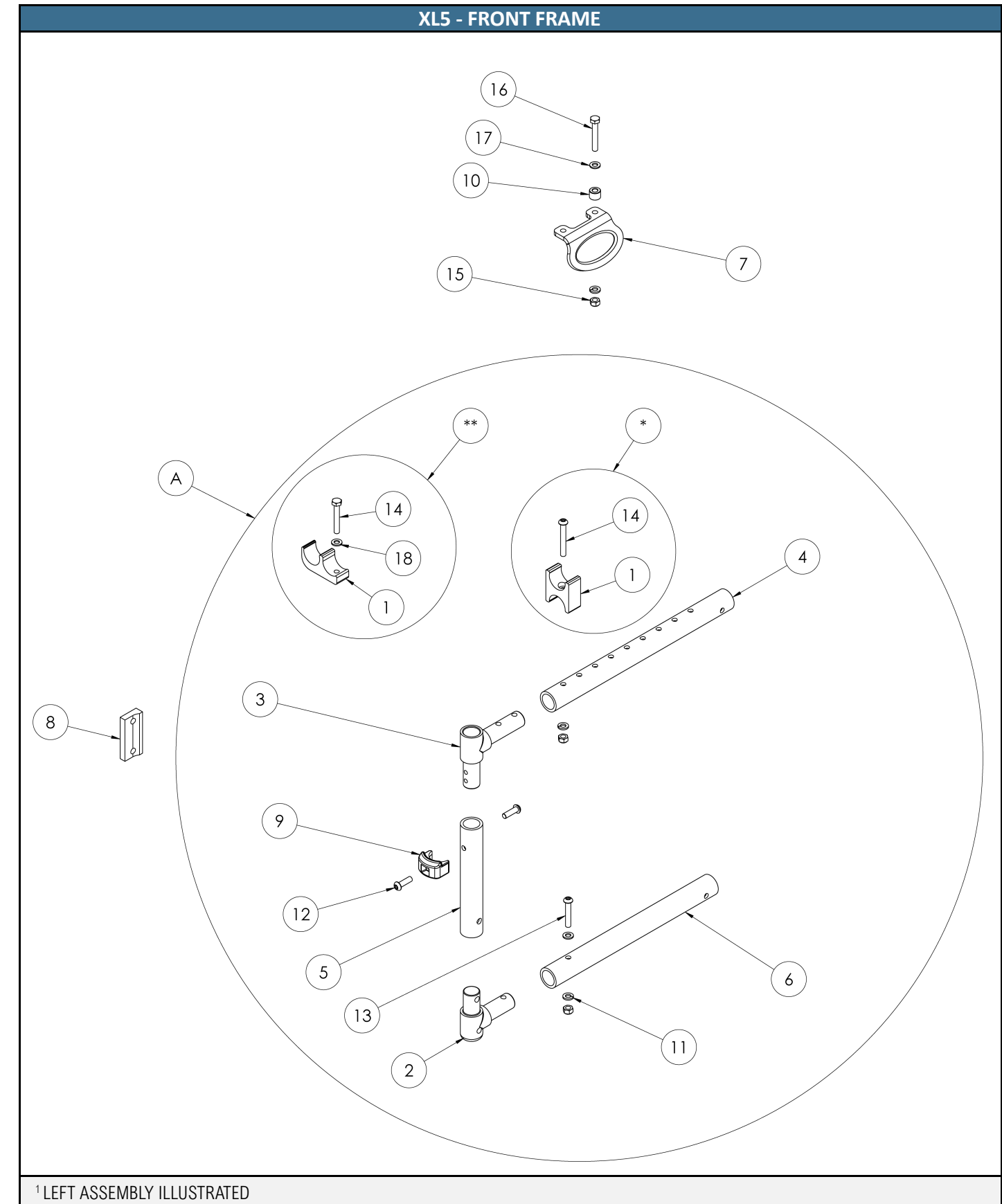
NO.	QTY	DRAWING NO.	DESCRIPTION
1	1	PH-00969*	CROSS-BRACE SPACER
	1	PH-01860**	CROSS-BRACE HOLDER
2	1	PH-05432	LOWER JUNCTION OF THE FRONT FRAME XL
3	1	PH-05433	UPPER JUNCTION OF THE FRONT FRAME XL
4	1	PH-05434-CXS	X-SMALL UPPER FRONT FRAME TUBE XL
	1	PH-05434-CS	SMALL UPPER FRONT FRAME TUBE XL
	1	PH-05434-CM	MEDIUM UPPER FRONT FRAME TUBE XL
	1	PH-05434-CL	LONG UPPER FRONT FRAME TUBE XL
5	1	PH-05435	FRONT FRAME TUBE XL
6	1	PH-05436-CXS	X-SMALL LOWER FRONT FRAME TUBE XL
	1	PH-05436-CS	SMALL LOWER FRONT FRAME TUBE XL
	1	PH-05436-CM	MEDIUM LOWER FRONT FRAME TUBE XL
	1	PH-05436-CL	LONG LOWER FRONT FRAME TUBE XL
7	1	PH-05441	ANCHORING FOR TRANSPORT
8	1	PH-05459	WEDGE FOR FRONT FORK
9	1	PH-05569	TUBE FIXATION WITH PLASTIC INSERT ASSEMBLY
10	1	PH-05846***	TRANSPORT ANCHOR SPACER 3/8"
11	3	ST-01640	LOCK WASHER ZI Ø1/4
12	2	ST-50117	BUTTON HEAD CAP SCREW SS M6X1.0X20
13	1	ST-50120	BUTTON HEAD CAP SCREW SS M6X1.0X35
14	1	ST-50122*	BUTTON HEAD CAP SCREW SS M6X1.0X45
	1	ST-51880****	BUTTON HEAD CAP SCREW SS M6X1.0X55
	1	ST-50922**	HEXAGONAL HEAD CAP SCREW SS M6X1.0X40
	1	ST-50924****	HEXAGONAL HEAD CAP SCREW SS M6X1.0X50
15	3	ST-50284	LOCK NUT ZI M6X1.0
16	1	ST-50922****	HEXAGONAL HEAD CAP SCREW SS M6X1.0X40
	1	ST-50924****	HEXAGONAL HEAD CAP SCREW SS M6X1.0X50
17	2	ST-51066	FLAT WASHER SS M6
18	1	ST-51066**	FLAT WASHER SS M6

* PART USED FOR HEIGHTS 13" AND +

** PART USED FOR HEIGHTS 11 1/2" TO 12 1/2"

***THE NUMBER OF PIECES CAN VARY FROM 0, 1 OR 2 DEPENDING ON THE DEPTH OF THE CHAIR AND THE ANCHORAGE OF THE ARMREST CHOSEN

**** THE LENGTH OF THE PART VARIES IF THE PH-05846 IS USED OR NOT



1 LEFT ASSEMBLY ILLUSTRATED

XL RF (HEAVY DUTY) - FRONT FRAME

NO.	QTY	DRAWING NO.	DESCRIPTION
A	1	PH-05570-L	LEFT X-SMALL XL RF FRONT FRAME
	1	PH-05570-R	RIGHT X-SMALL XL RF FRONT FRAME
	1	PH-05571-L	LEFT SMALL XL RF FRONT FRAME
	1	PH-05571-R	RIGHT SMALL XL RF FRONT FRAME
	1	PH-05572-L	LEFT MEDIUM XL RF FRONT FRAME
	1	PH-05572-R	RIGHT MEDIUM XL RF FRONT FRAME
	1	PH-05573-L	LEFT LARGE XL RF FRONT FRAME
	1	PH-05573-R	RIGHT LARGE XL RF FRONT FRAME

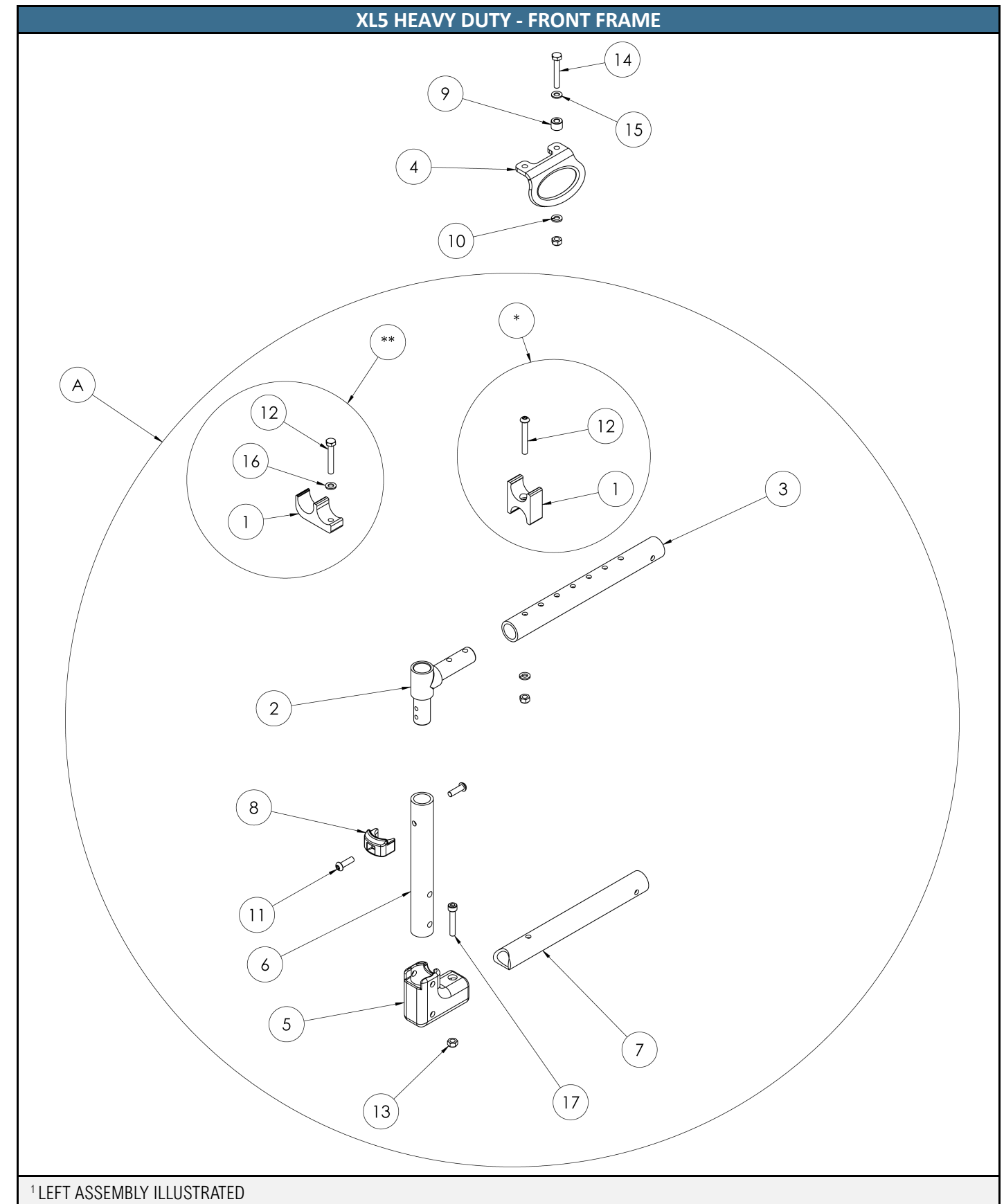
NO.	QTY	DRAWING NO.	DESCRIPTION
1	1	PH-00969*	CROSS-BRACE SPACER
	1	PH-01860**	CROSS-BRACE HOLDER
2	1	PH-05433	UPPER JUNCTION OF THE FRONT FRAME XL
3	1	PH-05434-CXS	X-SMALL UPPER FRONT FRAME TUBE XL
	1	PH-05434-CS	SMALL UPPER FRONT FRAME TUBE XL
	1	PH-05434-CM	MEDIUM UPPER FRONT FRAME TUBE XL
	1	PH-05434-CL	LONG UPPER FRONT FRAME TUBE XL
4	1	PH-05441	ANCHORING FOR TRANSPORT
5	1	PH-05556	LOWER JUNCTION OF THE FRONT FRAME XL RF
6	1	PH-05557	FRONT FRAME TUBE XL RF
7	1	PH-05558-CXS	X-SMALL LOWER FRONT FRAME TUBE XL RF
	1	PH-05558-CS	SMALL LOWER FRONT FRAME TUBE XL RF
	1	PH-05558-CM	MEDIUM LOWER FRONT FRAME TUBE XL RF
	1	PH-05558-CL	LARGE LOWER FRONT FRAME TUBE XL RF
8	1	PH-05569	TUBE FIXATION WITH PLASTIC INSERT ASSEMBLY
9	1	PH-05846***	TRANSPORT ANCHOR SPACER 3/8"
10	2	ST-01640	LOCK WASHER ZI Ø1/4
11	2	ST-50117	BUTTON HEAD CAP SCREW SS M6X1.0X20
12	1	ST-50122*	BUTTON HEAD CAP SCREW SS M6X1.0X45
	1	ST-51880****	BUTTON HEAD CAP SCREW SS M6X1.0X55
	1	ST-50922**	HEXAGONAL HEAD CAP SCREW SS M6X1.0X40
	1	ST-50924****	HEXAGONAL HEAD CAP SCREW SS M6X1.0X50
13	3	ST-50284	LOCK NUT ZI M6X1.0
14	1	ST-50922****	HEXAGONAL HEAD CAP SCREW SS M6X1.0X40
	1	ST-50924****	HEXAGONAL HEAD CAP SCREW SS M6X1.0X50
15	1	ST-51066	FLAT WASHER SS M6
16	1	ST-51066**	FLAT WASHER SS M6
17	1	ST-51485	SOCKET SCREW SS M6X1.0X35

* PART USED FOR HEIGHTS 13" AND +

** PART USED FOR HEIGHTS 11 1/2" TO 12 1/2"

***THE NUMBER OF PIECES CAN VARY FROM 0, 1 OR 2 DEPENDING ON THE DEPTH OF THE CHAIR AND THE ANCHORAGE OF THE ARMREST CHOSEN

**** THE LENGTH OF THE PART VARIES IF THE PH-05846 IS USED OR NOT



¹ LEFT ASSEMBLY ILLUSTRATED

XL5 - HEMI FRONT FRAME

NO.	QTY	DRAWING NO.	DESCRIPTION
A	1	PH-05786	X-MINI FRONT FRAME HEMI XL
	1	PH-05787	MINI FRONT FRAME HEMI XL
	1	PH-05788	SMALL FRONT FRAME HEMI XL
	1	PH-05789	MEDIUM FRONT FRAME HEMI XL
	1	PH-05790	LARGE FRONT FRAME HEMI XL

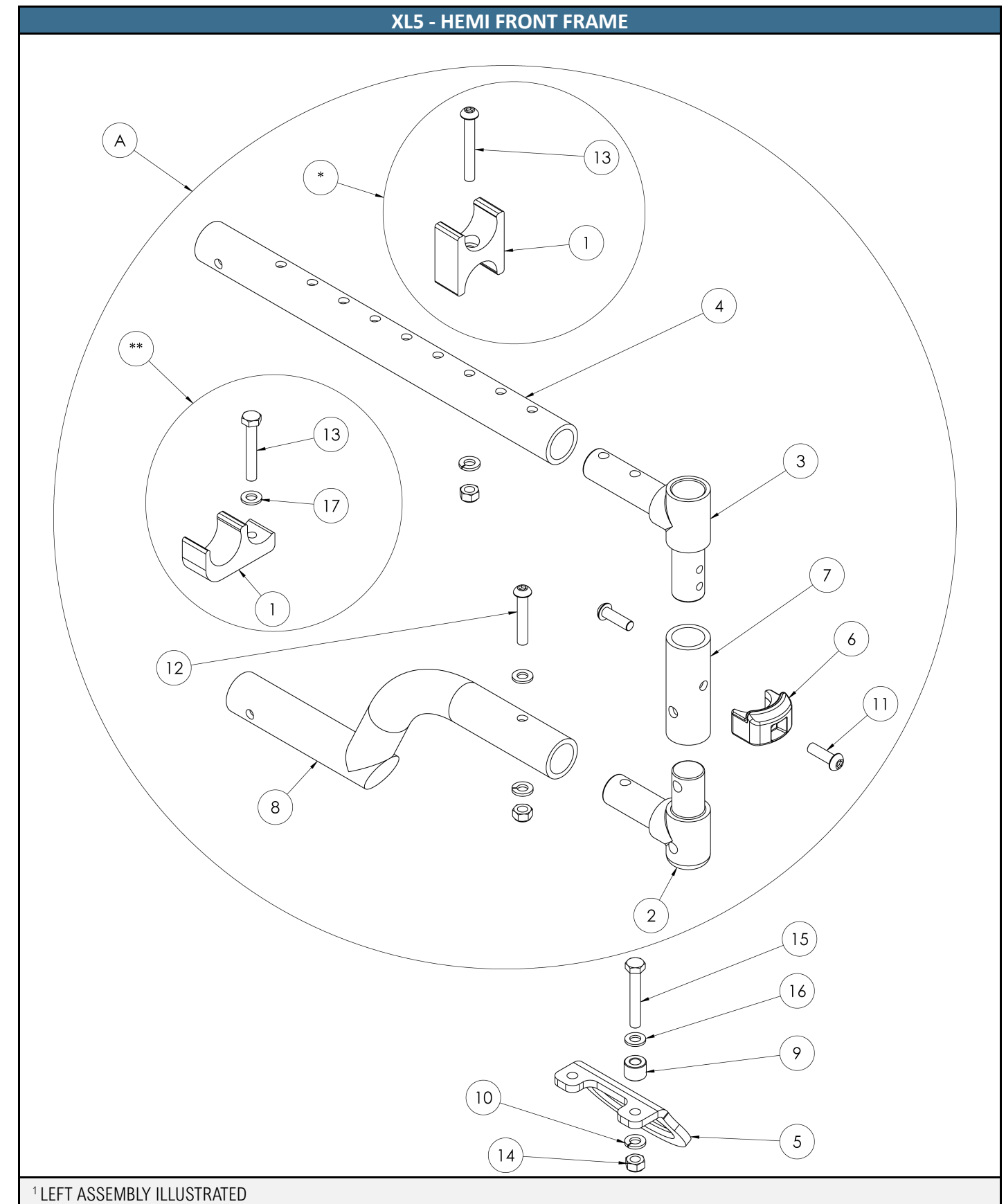
NO.	QTY	DRAWING NO.	DESCRIPTION
1	1	PH-00969*	CROSS-BRACE SPACER
	1	PH-01860**	CROSS-BRACE HOLDER
2	1	PH-05432	LOWER JUNCTION OF THE FRONT FRAME XL
3	1	PH-05433	UPPER JUNCTION OF THE FRONT FRAME XL
4	1	PH-05434-CXS	X-SMALL UPPER FRONT FRAME TUBE XL
	1	PH-05434-CS	SMALL UPPER FRONT FRAME TUBE XL
	1	PH-05434-CM	MEDIUM UPPER FRONT FRAME TUBE XL
	1	PH-05434-CL	LONG UPPER FRONT FRAME TUBE XL
5	1	PH-05441	ANCHORING FOR TRANSPORT
6	1	PH-05569	TUBE FIXATION WITH PLASTIC INSERT ASSEMBLY
7	1	PH-05749	HEMI FRONT FRAME TUBE XL STANDARD
8	1	PH-05776	X-MINI FRONT FRAME HEMI BOTTOM PART WELDED XL
	1	PH-05777	CHÂSSIS AVANT HEMI MINI PARTIE DU BAS SOUDÉE XL
	1	PH-05778	SMALL FRONT FRAME HEMI BOTTOM PART WELDED XL
	1	PH-05779	MEDIUM FRONT FRAME HEMI BOTTOM PART WELDED XL
	1	PH-05780	LARGE FRONT FRAME HEMI BOTTOM PART WELDED XL
9	1	PH-05846***	TRANSPORT ANCHOR SPACER 3/8"
10	3	ST-01640	LOCK WASHER ZI Ø1/4
11	2	ST-50117	BUTTON HEAD CAP SCREW SS M6X1.0X20
12	1	ST-50120	BUTTON HEAD CAP SCREW SS M6X1.0X35
13	1	ST-50122*	BUTTON HEAD CAP SCREW SS M6X1.0X45
	1	ST-51880****	BUTTON HEAD CAP SCREW SS M6X1.0X55
	1	ST-50922**	HEXAGONAL HEAD CAP SCREW SS M6X1.0X40
	1	ST-50924****	HEXAGONAL HEAD CAP SCREW SS M6X1.0X50
	14	3	ST-50284
15	1	ST-50922****	HEXAGONAL HEAD CAP SCREW SS M6X1.0X40
	1	ST-50924****	HEXAGONAL HEAD CAP SCREW SS M6X1.0X50
16	1	ST-51066	FLAT WASHER SS M6
17	1	ST-51066**	FLAT WASHER SS M6

* PART USED FOR HEIGHTS 13" AND +

** PART USED FOR HEIGHTS 11 1/2" TO 12 1/2"

***THE NUMBER OF PIECES CAN VARY FROM 0, 1 OR 2 DEPENDING ON THE DEPTH OF THE CHAIR AND THE ANCHORAGE OF THE ARMREST CHOSEN

**** THE LENGTH OF THE PART VARIES IF THE PH-05846 IS USED OR NOT



XL RF (HEAVY DUTY) - HEMI FRONT FRAME

NO.	QTY	DRAWING NO.	DESCRIPTION
A	1	PH-05791	X-MINI FRONT FRAME HEMI XL RF
	1	PH-05792	MINI FRONT FRAME HEMI XL RF
	1	PH-05793	SMALL FRONT FRAME HEMI XL RF
	1	PH-05794	MEDIUM FRONT FRAME HEMI XL RF
	1	PH-05795	LARGE FRONT FRAME HEMI XL RF

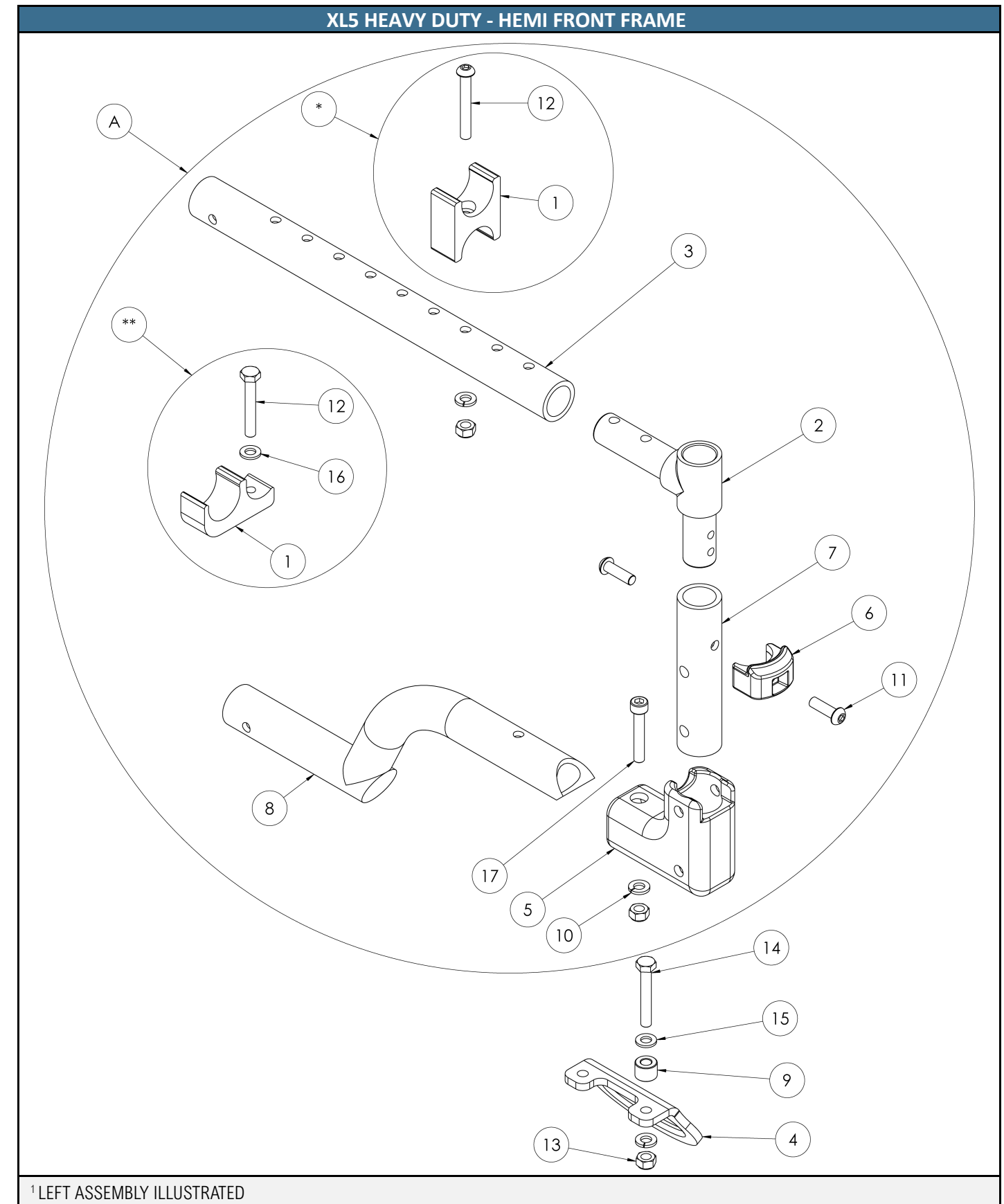
NO.	QTY	DRAWING NO.	DESCRIPTION
1	1	PH-00969*	CROSS-BRACE SPACER
	1	PH-01860**	CROSS-BRACE HOLDER
2	1	PH-05433	UPPER JUNCTION OF THE FRONT FRAME XL
3	1	PH-05434-CXS	X-SMALL UPPER FRONT FRAME TUBE XL
	1	PH-05434-CS	SMALL UPPER FRONT FRAME TUBE XL
	1	PH-05434-CM	MEDIUM UPPER FRONT FRAME TUBE XL
	1	PH-05434-CL	LONG UPPER FRONT FRAME TUBE XL
4	1	PH-05441	ANCHORING FOR TRANSPORT
5	1	PH-05556	LOWER JUNCTION OF THE FRONT FRAME XL RF
6	1	PH-05569	TUBE FIXATION WITH PLASTIC INSERT ASSEMBLY
7	1	PH-05750	HEMI FRONT FRAME TUBE XL RF
8	1	PH-05781	X-MINI FRONT FRAME HEMI BOTTOM PART WELDED XL RF
	1	PH-05782	MINI FRONT FRAME HEMI BOTTOM PART WELDED XL RF
	1	PH-05783	SMALL FRONT FRAME HEMI BOTTOM PART WELDED XL RF
	1	PH-05784	MEDIUM FRONT FRAME HEMI BOTTOM PART WELDED XL RF
	1	PH-05785	LARGE FRONT FRAME HEMI BOTTOM PART WELDED XL RF
9	1	PH-05846***	TRANSPORT ANCHOR SPACER 3/8"
10	3	ST-01640	LOCK WASHER ZI Ø1/4
11	2	ST-50117	BUTTON HEAD CAP SCREW SS M6X1.0X20
	1	ST-50122*	BUTTON HEAD CAP SCREW SS M6X1.0X45
	1	ST-51880****	BUTTON HEAD CAP SCREW SS M6X1.0X55
	1	ST-50922**	HEXAGONAL HEAD CAP SCREW SS M6X1.0X40
	1	ST-50924****	HEXAGONAL HEAD CAP SCREW SS M6X1.0X50
13	3	ST-50284	LOCK NUT ZI M6X1.0
14	1	ST-50922****	HEXAGONAL HEAD CAP SCREW SS M6X1.0X40
	1	ST-50924****	HEXAGONAL HEAD CAP SCREW SS M6X1.0X50
15	1	ST-51066	FLAT WASHER SS M6
16	1	ST-51066**	FLAT WASHER SS M6
17	1	ST-51485	SOCKET SCREW SS M6X1.0X35

* PART USED FOR HEIGHTS 13" AND +

** PART USED FOR HEIGHTS 11 1/2" TO 12 1/2"

***THE NUMBER OF PIECES CAN VARY FROM 0, 1 OR 2 DEPENDING ON THE DEPTH OF THE CHAIR AND THE ANCHORAGE OF THE ARMREST CHOSEN

**** THE LENGTH OF THE PART VARIES IF THE PH-05846 IS USED OR NOT



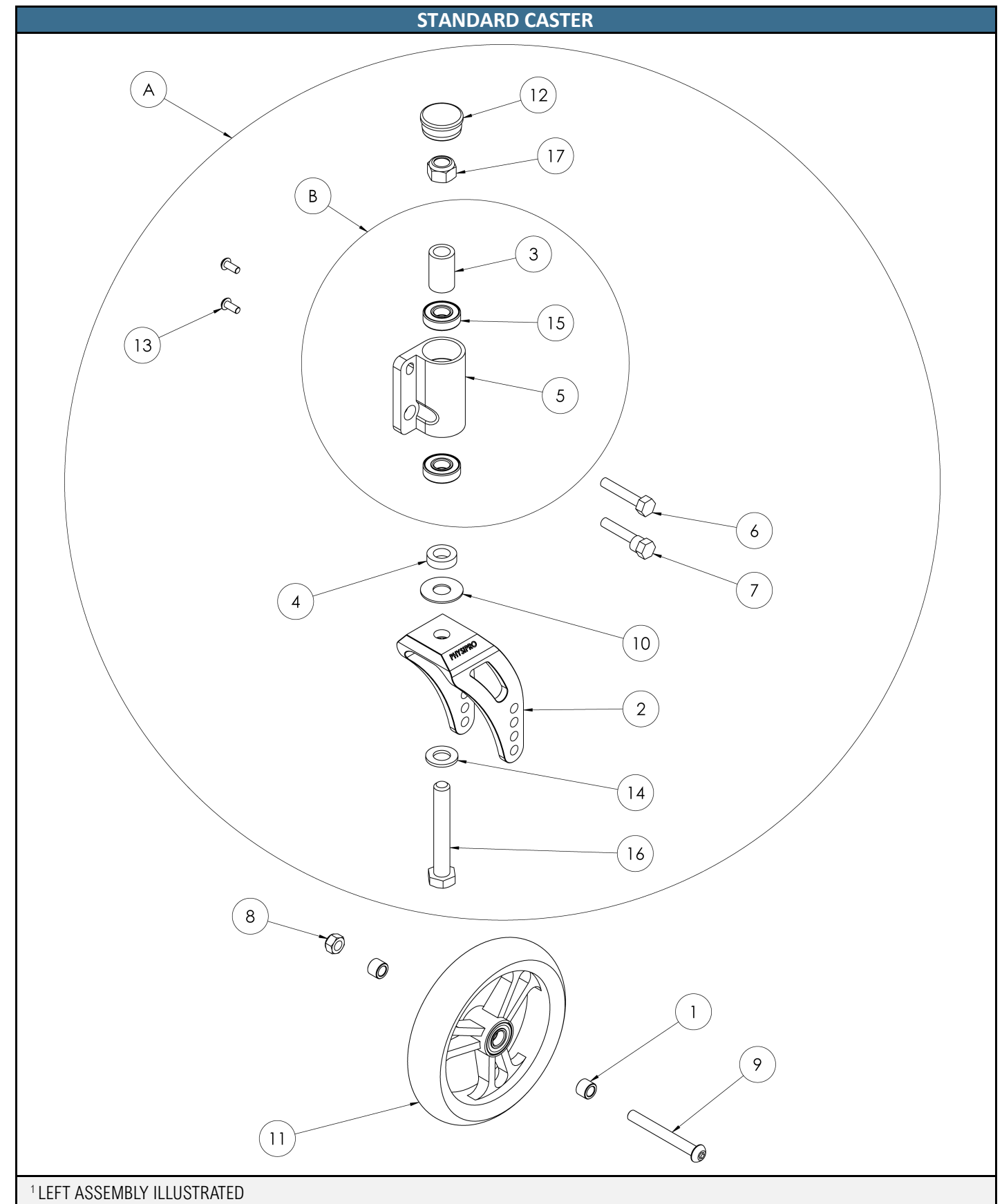
STANDARD CASTER

NO.	QTY	DRAWING NO.	DESCRIPTION
A	1	04-00016	FRONT WHEEL LONG FORK RIGHT
	1	04-00017	LONG FORK FRONT WHEEL LEFT
	1	04-00032-L	LEFT STANDARD FORK ASSEMBLY
	1	04-00032-R	RIGHT STANDARD FORK ASSEMBLY
B	1	PH-05891-L	LEFT FRONT FORK PIVOT BLOCK ASSEMBLY
	1	PH-05891-R	RIGHT FRONT FORK PIVOT BLOCK ASSEMBLY

NO.	QTY	DRAWING NO.	DESCRIPTION
1	2	0004-104-001	WHEEL AXLE SPACER
2	1	PH-01031	LONG FORK 1 3/4" WIDE
	1	PH-05426	STANDARD FORK
3	1	PH-01631	BEARING SHIM
4	1	PH-02405	FRONT WHEEL SPACER 1/4"
5	1	PH-05456-L	FRONT LEFT FORK PIVOT BLOCK
	1	PH-05456-R	FRONT RIGHT FORK PIVOT BLOCK
6	1	PH-05457	XL FORK CONCENTRIC SOCKET
7	1	PH-05458	XL FORK ECCENTRIC SOCKET
8	1	ST-00336*	LOCK NUT ZI 5/16-18
	1	ST-50285**	LOCK NUT ZI M8X1.25
9	1	ST-01346*	HEXAGONAL HEAD CAP SCREW SS Ø5/16-18X2-1/2
	1	ST-52867**	BUTTON HEAD CAP SCREW SS M8X1.25X70
10	1	ST-01580	FLAT WASHER SS Ø1/2
11	1	ST-02823	FRONT WHEEL HOLLOW Ø4"X1"
	1	ST-02444	FRONT WHEEL HOLLOW Ø5X1
	1	ST-02458	FRONT WHEEL HOLLOW Ø5X1-1/2
	1	ST-02459	FRONT WHEEL HOLLOW Ø6X1-1/4
	1	ST-02460	FRONT WHEEL HOLLOW Ø6X1-1/2
	1	ST-02821	URETHANE FRONT WHEEL Ø7"X1"
	1	ST-02844	URETHANE FRONT WHEEL Ø8"X2"
1	ST-02846	URETHANE FRONT WHEEL Ø8"X1-1/2"	
12	1	ST-02700	POLYETHYLENE CAP Ø1-1/4
13	2	ST-50058	BUTTON HEAD CAP SCREW SS M5X0.8X12
14	1	ST-51955	FLAT WASHER SS M12
15	2	ST-52039	BALL BEARING M12
16	1	ST-52040	HEXAGONAL HEAD CAP SCREW ZI M12X1.50X80
17	1	ST-52041	LOCK NUT ZI M12X1.50

* PART USED FOR LONG FORK

** PART USED FOR STANDARD FORK



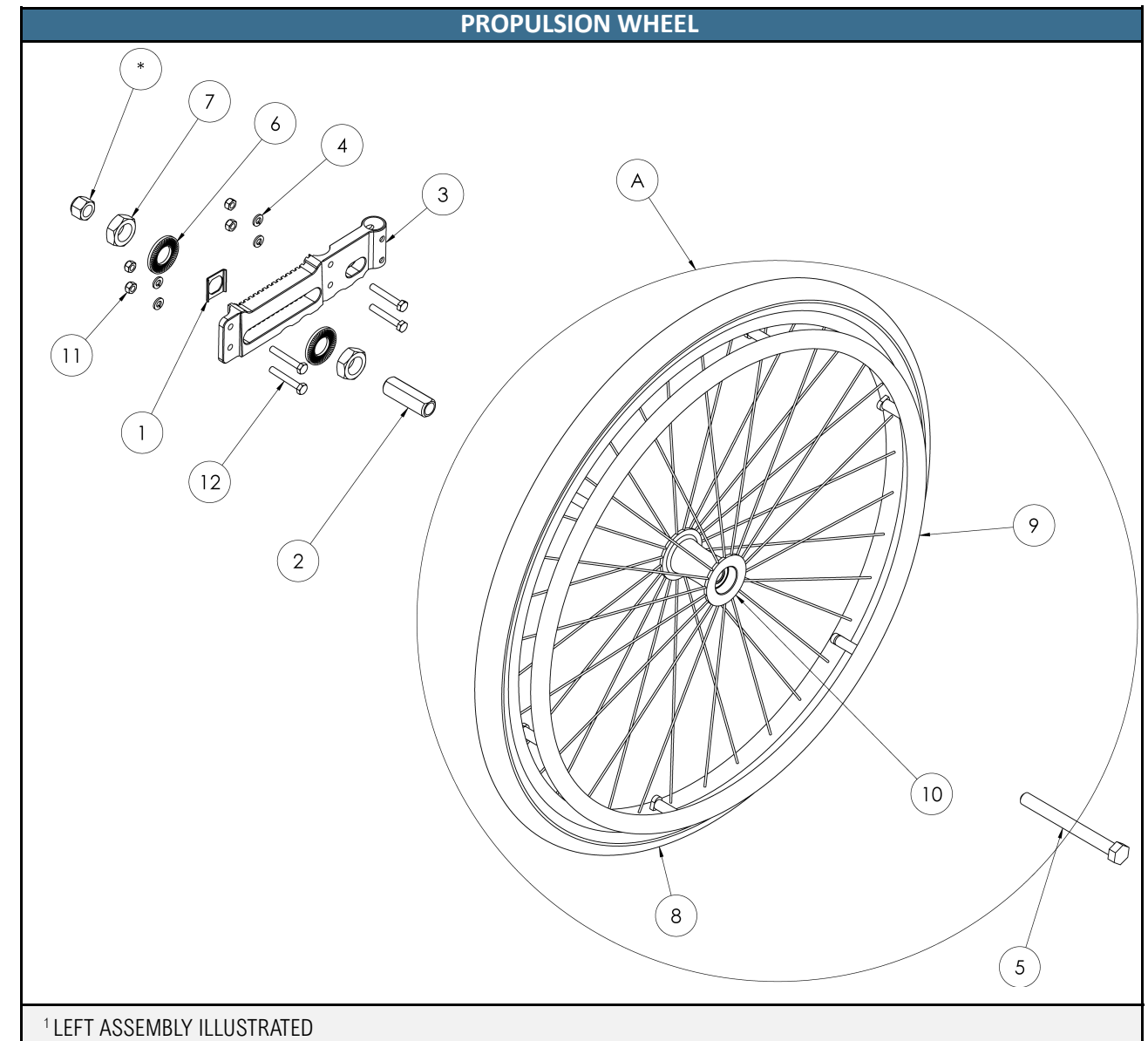
¹ LEFT ASSEMBLY ILLUSTRATED

PROPULSION WHEEL

NO.	QTY	DRAWING NO.	DESCRIPTION
1	1	ST-02832	PROPULSION WHEEL SPOKE URETHANE 20" - ALUMINUM HANDRIM
1	1	ST-02961	PROPULSION WHEEL SPOKE URETHANE 20" - PLASTIC COATED HANDRIM
1	1	ST-02833	PROPULSION WHEEL SPOKE URETHANE 22" - ALUMINUM HANDRIM
1	1	ST-02962	PROPULSION WHEEL SPOKE URETHANE 22" - PLASTIC COATED HANDRIM
1	1	ST-02834	PROPULSION WHEEL SPOKE URETHANE 24" - ALUMINUM HANDRIM
1	1	ST-02963	PROPULSION WHEEL SPOKE URETHANE 24" - PLASTIC COATED HANDRIM
1	1	ST-02835	PROPULSION WHEEL SPOKE URETHANE 26" - ALUMINUM HANDRIM
1	1	ST-02964	PROPULSION WHEEL SPOKE URETHANE 26" - PLASTIC COATED HANDRIM
1	1	ST-02824	PROPULSION WHEEL SPOKE STD PRESSURE 20" - ALUMINUM HANDRIM
1	1	ST-02953	PROPULSION WHEEL SPOKE STD PRESSURE 20" - PLASTIC COATED HANDRIM
1	1	ST-02825	PROPULSION WHEEL SPOKE STD PRESSURE 22" - ALUMINUM HANDRIM
1	1	ST-02954	PROPULSION WHEEL SPOKE STD PRESSURE 22" - PLASTIC COATED HANDRIM
1	1	ST-02826	PROPULSION WHEEL SPOKE STD PRESSURE 24" - ALUMINUM HANDRIM
1	1	ST-02955	PROPULSION WHEEL SPOKE STD PRESSURE 24" - PLASTIC COATED HANDRIM
1	1	ST-02827	PROPULSION WHEEL SPOKE STD PRESSURE 26" - ALUMINUM HANDRIM
1	1	ST-02956	PROPULSION WHEEL SPOKE STD PRESSURE 26" - PLASTIC COATED HANDRIM
1	1	ST-02957	PROPULSION WHEEL SPOKE HIGH PRESSURE 20" - PLASTIC COATED HANDRIM
1	1	ST-02828	PROPULSION WHEEL SPOKE HIGH PRESSURE 20" - ALUMINUM HANDRIM
1	1	ST-02958	PROPULSION WHEEL SPOKE HIGH PRESSURE 22" - PLASTIC COATED HANDRIM
1	1	ST-02829	PROPULSION WHEEL SPOKE HIGH PRESSURE 22" - ALUMINUM HANDRIM
1	1	ST-02959	PROPULSION WHEEL SPOKE HIGH PRESSURE 24" - PLASTIC COATED HANDRIM
1	1	ST-02830	PROPULSION WHEEL SPOKE HIGH PRESSURE 24" - ALUMINUM HANDRIM
1	1	ST-02960	PROPULSION WHEEL SPOKE HIGH PRESSURE 26" - PLASTIC COATED HANDRIM
1	1	ST-02831	PROPULSION WHEEL SPOKE HIGH PRESSURE 26" - ALUMINUM HANDRIM
1	1	ST-02607	PROPULSION WHEEL MAG URETHANE 20" - ALUMINUM HANDRIM
1	1	ST-02983	PROPULSION WHEEL MAG URETHANE 20" - PLASTIC COATED HANDRIM
1	1	ST-02608	PROPULSION WHEEL MAG URETHANE 22" - ALUMINUM HANDRIM
1	1	ST-02984	PROPULSION WHEEL MAG URETHANE 22" - PLASTIC COATED HANDRIM
1	1	ST-02612	PROPULSION WHEEL MAG URETHANE 24" - ALUMINUM HANDRIM
1	1	ST-02985	PROPULSION WHEEL MAG URETHANE 24" - PLASTIC COATED HANDRIM
1	1	ST-03841	PROPULSION WHEEL MAG URETHANE 26" - ALUMINUM HANDRIM
1	1	ST-03842	PROPULSION WHEEL MAG URETHANE 26" - PLASTIC COATED HANDRIM
1	1	ST-02582	PROPULSION WHEEL MAG STD PRESSURE 20" - ALUMINUM HANDRIM
1	1	ST-02977	PROPULSION WHEEL MAG STD PRESSURE 20" - PLASTIC COATED HANDRIM
1	1	ST-02583	PROPULSION WHEEL MAG STD PRESSURE 22" - ALUMINUM HANDRIM
1	1	ST-02978	PROPULSION WHEEL MAG STD PRESSURE 22" - PLASTIC COATED HANDRIM
1	1	ST-02586	PROPULSION WHEEL MAG STD PRESSURE 24" - ALUMINUM HANDRIM
1	1	ST-02979	PROPULSION WHEEL MAG STD PRESSURE 24" - PLASTIC COATED HANDRIM
1	1	ST-03843	PROPULSION WHEEL MAG STD PRESSURE 26" - ALUMINUM HANDRIM
1	1	ST-03844	PROPULSION WHEEL MAG STD PRESSURE 26" - PLASTIC COATED HANDRIM
1	1	ST-02980	PROPULSION WHEEL MAG HIGH PRESSURE 20" - PLASTIC COATED HANDRIM
1	1	ST-02588	PROPULSION WHEEL MAG HIGH PRESSURE 20" - ALUMINUM HANDRIM
1	1	ST-02981	PROPULSION WHEEL MAG HIGH PRESSURE 22" - PLASTIC COATED HANDRIM
1	1	ST-02601	PROPULSION WHEEL MAG HIGH PRESSURE 22" - ALUMINUM HANDRIM
1	1	ST-02982	PROPULSION WHEEL MAG HIGH PRESSURE 24" - PLASTIC COATED HANDRIM
1	1	ST-02602	PROPULSION WHEEL MAG HIGH PRESSURE 24" - ALUMINUM HANDRIM
1	1	ST-03845	PROPULSION WHEEL MAG HIGH PRESSURE 26" - ALUMINUM HANDRIM
1	1	ST-03846	PROPULSION WHEEL MAG HIGH PRESSURE 26" - PLASTIC COATED HANDRIM

PROPULSION WHEEL

NO.	QTY	DRAWING NO.	DESCRIPTION
1	1	PH-00263	WHEEL LOCK
2	1	PH-01485	THREADED WHEEL AXLE 3/4-16
3	1	PH-01668	LEFT REAR WHEEL PLATE
	1	PH-01669	RIGHT REAR WHEEL PLATE
	1	**PH-05612-L	LEFT REAR WHEEL 3° CAMBER PLATE
	1	**PH-05612-R	RIGHT REAR WHEEL 3° CAMBER PLATE
	1	**PH-05907-L	LEFT REAR WHEEL 3° CAMBER PLATE
1	**PH-05907-R	RIGHT REAR WHEEL 3° CAMBER PLATE	
4	4	ST-01640	LOCK WASHER ZI Ø1/4
5	1	ST-02549	QUICK RELEASE AXLE Ø1/2X4-1/8
	1	ST-52130	HEXAGONAL HEAD CAP SCREW SS Ø1/2-13X5 (THREADED AXLE)
6	2	ST-02587	FLAT WASHER "NORD LOCK" Ø3/4
7	2	ST-02793	JAM NUT Ø3/4-16



A

1 LEFT ASSEMBLY ILLUSTRATED

PROPULSION WHEEL

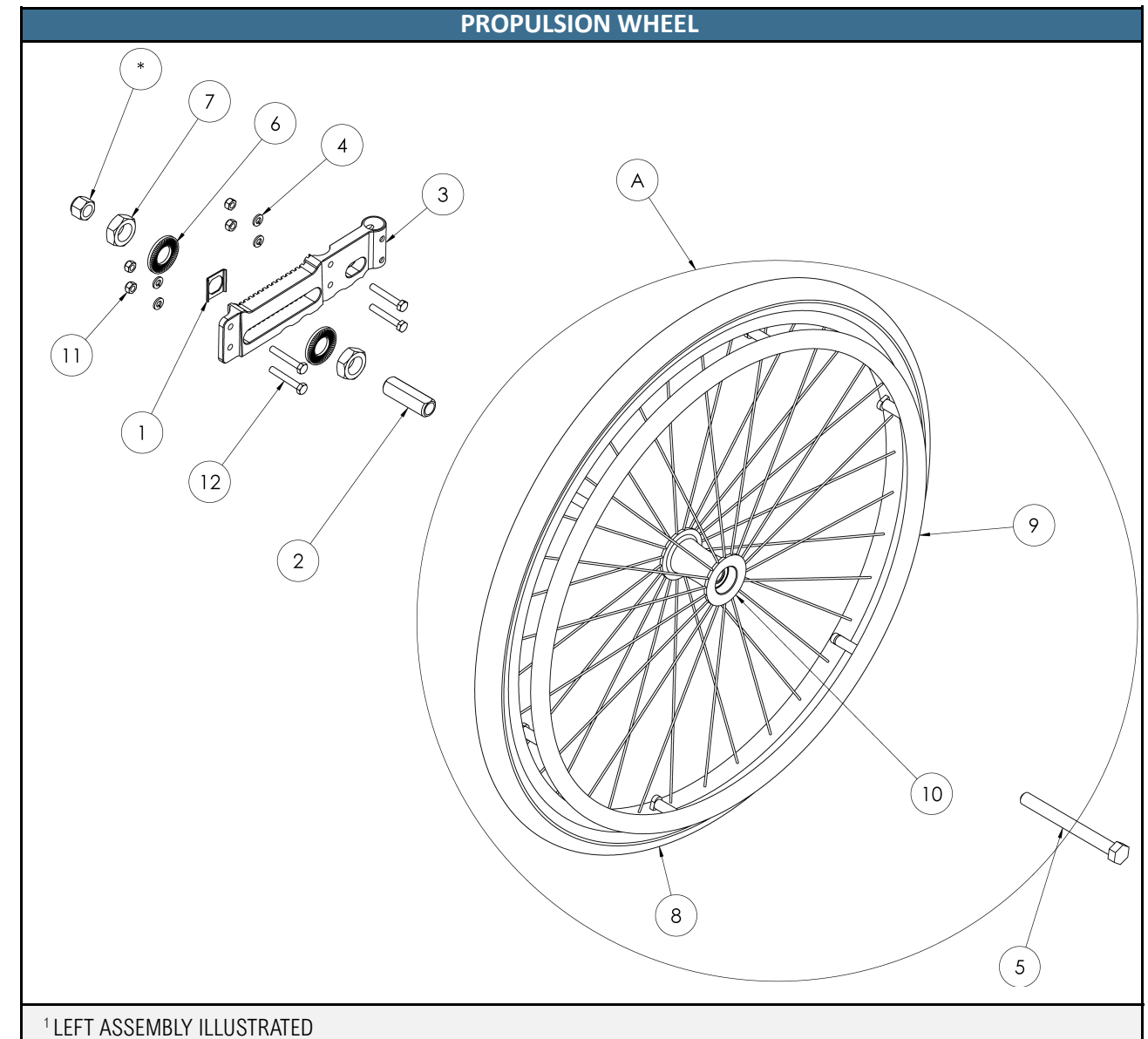
NO.	QTY	DRAWING NO.	DESCRIPTION	
8	1	ST-03186	URETHANE TIRE 20"	
	1	ST-03187	URETHANE TIRE 22"	
	1	ST-03188	URETHANE TIRE 24"	
	1	ST-03822	URETHANE TIRE 26"	
	1	ST-03817	STANDARD PRESSURE TIRE 20"	
	1	ST-03818	STANDARD PRESSURE TIRE 22"	
	1	ST-03819	STANDARD PRESSURE TIRE 24"	
	1	ST-03820	STANDARD PRESSURE TIRE 26"	
	1	ST-03829	HIGH PRESSURE TIRE 20"	
	1	ST-03830	HIGH PRESSURE TIRE 22"	
	1	ST-03831	HIGH PRESSURE TIRE 24"	
	1	ST-03832	HIGH PRESSURE TIRE 26"	
	1	ST-03828	TUBELESS WHEEL TIRE 20"	
	1	ST-03847	TUBELESS WHEEL TIRE 22"	
	1	ST-03848	TUBELESS WHEEL TIRE 24"	
	1	ST-03849	TUBELESS WHEEL TIRE 26"	
	9	1	ST-03210	PLASTIC HANDRIM 4 HOLES FOR 20" SPOKE
		1	ST-03212	PLASTIC HANDRIM 6 HOLES FOR 22" SPOKE
1		ST-03213	PLASTIC HANDRIM 6 HOLES FOR 24" SPOKE	
1		ST-03823	PLASTIC HANDRIM 6 HOLES FOR 26" SPOKE	
1		ST-03814	ALUMINUM HANDRIM 6 HOLES FOR 20" SPOKE	
1		ST-52085	ALUMINUM HANDRIM 6 HOLES FOR 22" SPOKE	
1		ST-52086	ALUMINUM HANDRIM 6 HOLES FOR 24" SPOKE	
1		ST-03824	ALUMINUM HANDRIM 6 HOLES FOR 26" SPOKE	
1		ST-03821	PLASTIC HANDRIM 6 HOLES FOR 20" MAG	
1		ST-52822	PLASTIC HANDRIM 6 HOLES FOR 22" MAG	
1		ST-52823	PLASTIC HANDRIM 6 HOLES FOR 24" MAG	
1		ST-03825	PLASTIC HANDRIM 6 HOLES FOR 26" MAG	
1		ST-52826	ALUMINUM HANDRIM 6 HOLES FOR 20" MAG	
1		ST-52827	ALUMINUM HANDRIM 8 HOLES FOR 22" MAG	
1		ST-52828	ALUMINUM HANDRIM 8 HOLES FOR 24" MAG	
1		ST-03826	ALUMINUM HANDRIM 6 HOLES FOR 26" MAG	
1		ST-52113	NATURAL FIT 20" THUMB STD.	
1		ST-52115	NATURAL FIT 22" THUMB STD.	
1		ST-52117	NATURAL FIT 24" THUMB STD.	
1		ST-03827	NATURAL FIT 26" THUMB STD.	
1		ST-03833	ANTI-SLIP HANDRIM 20"	
1		ST-03834	ANTI-SLIP HANDRIM 22"	
1		ST-03835	ANTI-SLIP HANDRIM 24"	
1		ST-03836	ANTI-SLIP HANDRIM 26"	
1		ST-03850	VERTICAL PROJECTION HOOP FOR 20" WHEEL	
1		ST-03851	VERTICAL PROJECTION HOOP FOR 22" WHEEL	
1		ST-03852	VERTICAL PROJECTION HOOP FOR 24" WHEEL	
1		ST-03853	VERTICAL PROJECTION HOOP FOR 26" WHEEL	

PROPULSION WHEEL

NO.	QTY	DRAWING NO.	DESCRIPTION	
10	1	ST-03810	20" SPOKE WHEEL	
	1	ST-03811	22" SPOKE WHEEL	
	1	ST-03812	24" SPOKE WHEEL	
	1	ST-03813	26" SPOKE WHEEL	
	1	ST-03837	20" MAG WHEEL	
	1	ST-03838	22" MAG WHEEL	
	1	ST-03839	24" MAG WHEEL	
	1	ST-03840	26" MAG WHEEL	
	11	4	ST-50284	LOCK NUT ZI M6X1.0
	12	4	ST-50922	HEXAGONAL HEAD CAP SCREW SS M6X1.0X40

* ST-00293 (LOCK NUT Ø1/2-13) USED WITH ST-52130 (RÉFÉRENCE #5)

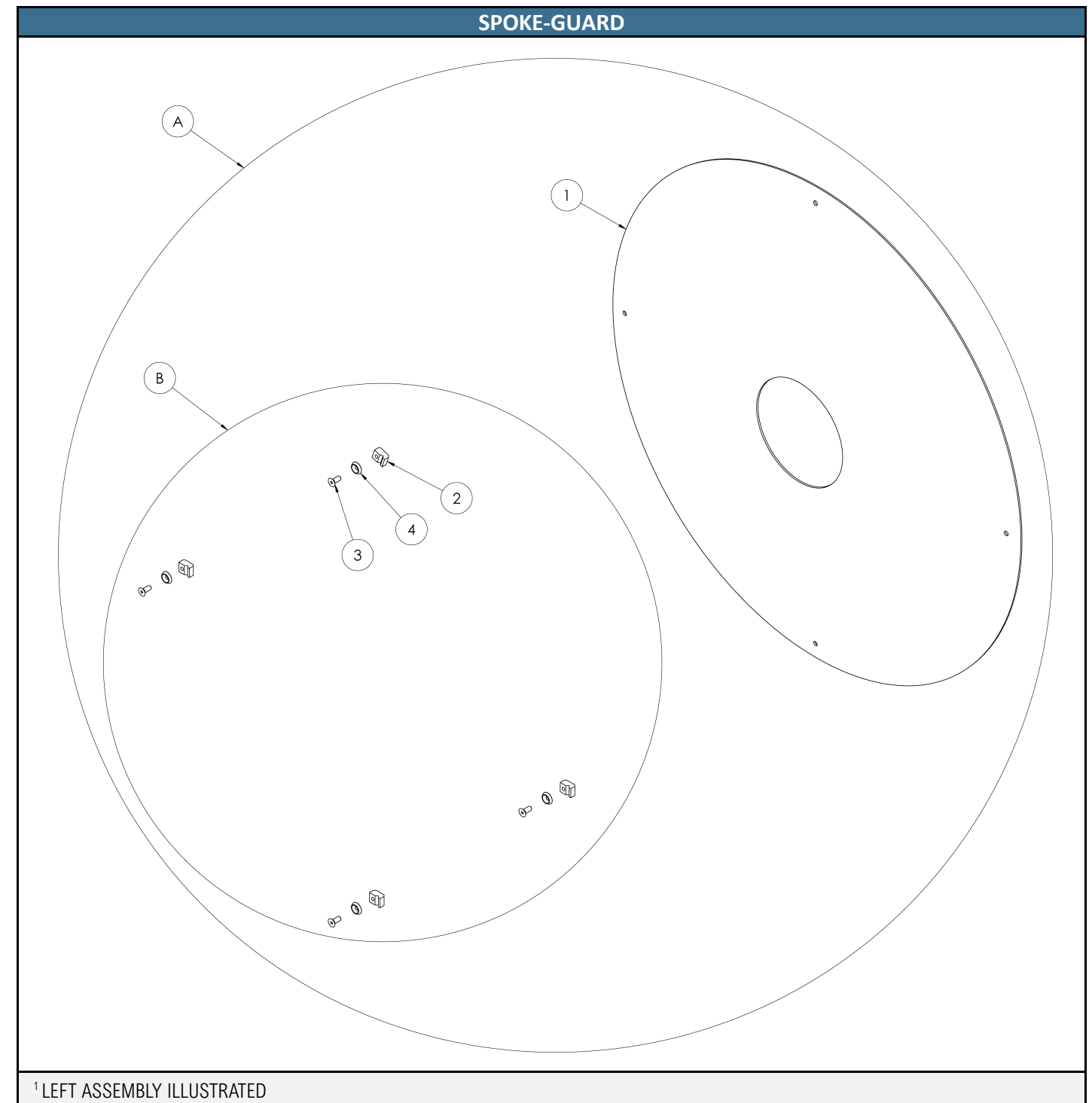
** OPTIONAL



SPOKE-GUARD

NO.	QTY	DRAWING NO.	DESCRIPTION
A	1	NX46-20	20" TRANSPARENT SPOKE- GUARD
	1	NX46-22	22" TRANSPARENT SPOKE- GUARD
	1	NX46-24	24" TRANSPARENT SPOKE- GUARD
	1	NX46-26	26" TRANSPARENT SPOKE- GUARD
B	1	PH-05227	SPOKE CLIP KIT 8 PIECES

NO.	QTY	DRAWING NO.	DESCRIPTION
1	1	19-00002	SPOKE GUARD 20"
	1	19-00003	SPOKE GUARD 22"
	1	19-00004	SPOKE GUARD 24"
	1	19-00005	SPOKE GUARD 26"
2	4	PH-03025	SPOKE CLIP
3	4	ST-50413	FLAT HEAD CAP SCREW BO M4X0.7X10
4	4	ST-52841	COUNTERSUNK FINISHING WASHER Ø7/16



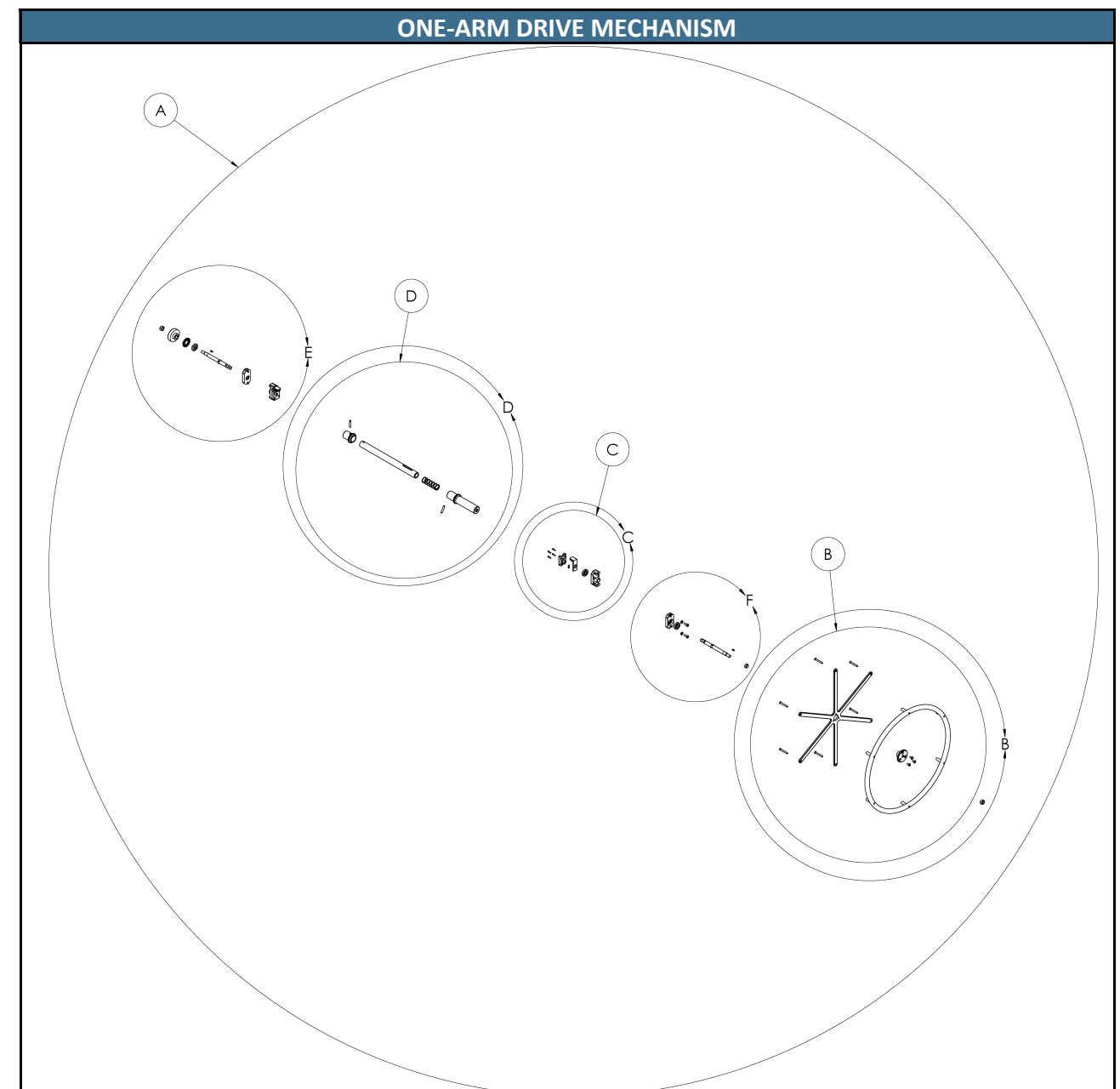
¹ LEFT ASSEMBLY ILLUSTRATED

ONE-ARM DRIVE MECHANISM

NO.	QTY	DRAWING NO.	DESCRIPTION
A	1	PH-05603-C14	ONE-ARM DRIVE SYSTEM FOR 20" WHEEL - 14" WIDTH
	1	PH-05603-C15	ONE-ARM DRIVE SYSTEM FOR 20" WHEEL - 15" WIDTH
	1	PH-05603-C16	ONE-ARM DRIVE SYSTEM FOR 20" WHEEL - 16" WIDTH
	1	PH-05603-C17	ONE-ARM DRIVE SYSTEM FOR 20" WHEEL - 17" WIDTH
	1	PH-05603-C18	ONE-ARM DRIVE SYSTEM FOR 20" WHEEL - 18" WIDTH
	1	PH-05603-C19	ONE-ARM DRIVE SYSTEM FOR 20" WHEEL - 19" WIDTH
	1	PH-05603-C20	ONE-ARM DRIVE SYSTEM FOR 20" WHEEL - 20" WIDTH
	1	PH-05603-C21	ONE-ARM DRIVE SYSTEM FOR 20" WHEEL - 21" WIDTH
	1	PH-05603-C22	ONE-ARM DRIVE SYSTEM FOR 20" WHEEL - 22" WIDTH
	1	PH-05603-C23	ONE-ARM DRIVE SYSTEM FOR 20" WHEEL - 23" WIDTH
	1	PH-05603-C24	ONE-ARM DRIVE SYSTEM FOR 20" WHEEL - 24" WIDTH
	1	PH-05608-C14	ONE-ARM DRIVE SYSTEM FOR 22" WHEEL - 14" WIDTH
	1	PH-05608-C15	ONE-ARM DRIVE SYSTEM FOR 22" WHEEL - 15" WIDTH
	1	PH-05608-C16	ONE-ARM DRIVE SYSTEM FOR 22" WHEEL - 16" WIDTH
	1	PH-05608-C17	ONE-ARM DRIVE SYSTEM FOR 22" WHEEL - 17" WIDTH
	1	PH-05608-C18	ONE-ARM DRIVE SYSTEM FOR 22" WHEEL - 18" WIDTH
	1	PH-05608-C19	ONE-ARM DRIVE SYSTEM FOR 22" WHEEL - 19" WIDTH
	1	PH-05608-C20	ONE-ARM DRIVE SYSTEM FOR 22" WHEEL - 20" WIDTH
	1	PH-05608-C21	ONE-ARM DRIVE SYSTEM FOR 22" WHEEL - 21" WIDTH
	1	PH-05608-C22	ONE-ARM DRIVE SYSTEM FOR 22" WHEEL - 22" WIDTH
	1	PH-05608-C23	ONE-ARM DRIVE SYSTEM FOR 22" WHEEL - 23" WIDTH
	1	PH-05608-C24	ONE-ARM DRIVE SYSTEM FOR 22" WHEEL - 24" WIDTH
	1	PH-05674-C14	ONE-ARM DRIVE SYSTEM FOR 24" WHEEL - 14" WIDTH
	1	PH-05674-C15	ONE-ARM DRIVE SYSTEM FOR 24" WHEEL - 15" WIDTH
	1	PH-05674-C16	ONE-ARM DRIVE SYSTEM FOR 24" WHEEL - 16" WIDTH
	1	PH-05674-C17	ONE-ARM DRIVE SYSTEM FOR 24" WHEEL - 17" WIDTH
	1	PH-05674-C18	ONE-ARM DRIVE SYSTEM FOR 24" WHEEL - 18" WIDTH
	1	PH-05674-C19	ONE-ARM DRIVE SYSTEM FOR 24" WHEEL - 19" WIDTH
	1	PH-05674-C20	ONE-ARM DRIVE SYSTEM FOR 24" WHEEL - 20" WIDTH
	1	PH-05674-C21	ONE-ARM DRIVE SYSTEM FOR 24" WHEEL - 21" WIDTH
	1	PH-05674-C22	ONE-ARM DRIVE SYSTEM FOR 24" WHEEL - 22" WIDTH
	1	PH-05674-C23	ONE-ARM DRIVE SYSTEM FOR 24" WHEEL - 23" WIDTH
	1	PH-05674-C24	ONE-ARM DRIVE SYSTEM FOR 24" WHEEL - 24" WIDTH
	1	PH-05675-C14	ONE-ARM DRIVE SYSTEM FOR 26" WHEEL - 14" WIDTH
	1	PH-05675-C15	ONE-ARM DRIVE SYSTEM FOR 26" WHEEL - 15" WIDTH
	1	PH-05675-C16	ONE-ARM DRIVE SYSTEM FOR 26" WHEEL - 16" WIDTH
	1	PH-05675-C17	ONE-ARM DRIVE SYSTEM FOR 26" WHEEL - 17" WIDTH
	1	PH-05675-C18	ONE-ARM DRIVE SYSTEM FOR 26" WHEEL - 18" WIDTH
	1	PH-05675-C19	ONE-ARM DRIVE SYSTEM FOR 26" WHEEL - 19" WIDTH
	1	PH-05675-C20	ONE-ARM DRIVE SYSTEM FOR 26" WHEEL - 20" WIDTH
	1	PH-05675-C21	ONE-ARM DRIVE SYSTEM FOR 26" WHEEL - 21" WIDTH
	1	PH-05675-C22	ONE-ARM DRIVE SYSTEM FOR 26" WHEEL - 22" WIDTH
	1	PH-05675-C23	ONE-ARM DRIVE SYSTEM FOR 26" WHEEL - 23" WIDTH
	1	PH-05675-C24	ONE-ARM DRIVE SYSTEM FOR 26" WHEEL - 24" WIDTH
B	1	PH-05568-C20	ONE-ARM DRIVE SECONDARY HANDRIM AND PLATE 20"
	1	PH-05568-C22	ONE-ARM DRIVE SECONDARY HANDRIM AND PLATE 22"
	1	PH-05568-C24	ONE-ARM DRIVE SECONDARY HANDRIM AND PLATE 24"
	1	PH-05568-C26	ONE-ARM DRIVE SECONDARY HANDRIM AND PLATE 26"
C	2	PH-05565	LOCKING SYSTEM FOR ONE-ARM DRIVE WHEELCHAIR

ONE-ARM DRIVE MECHANISM

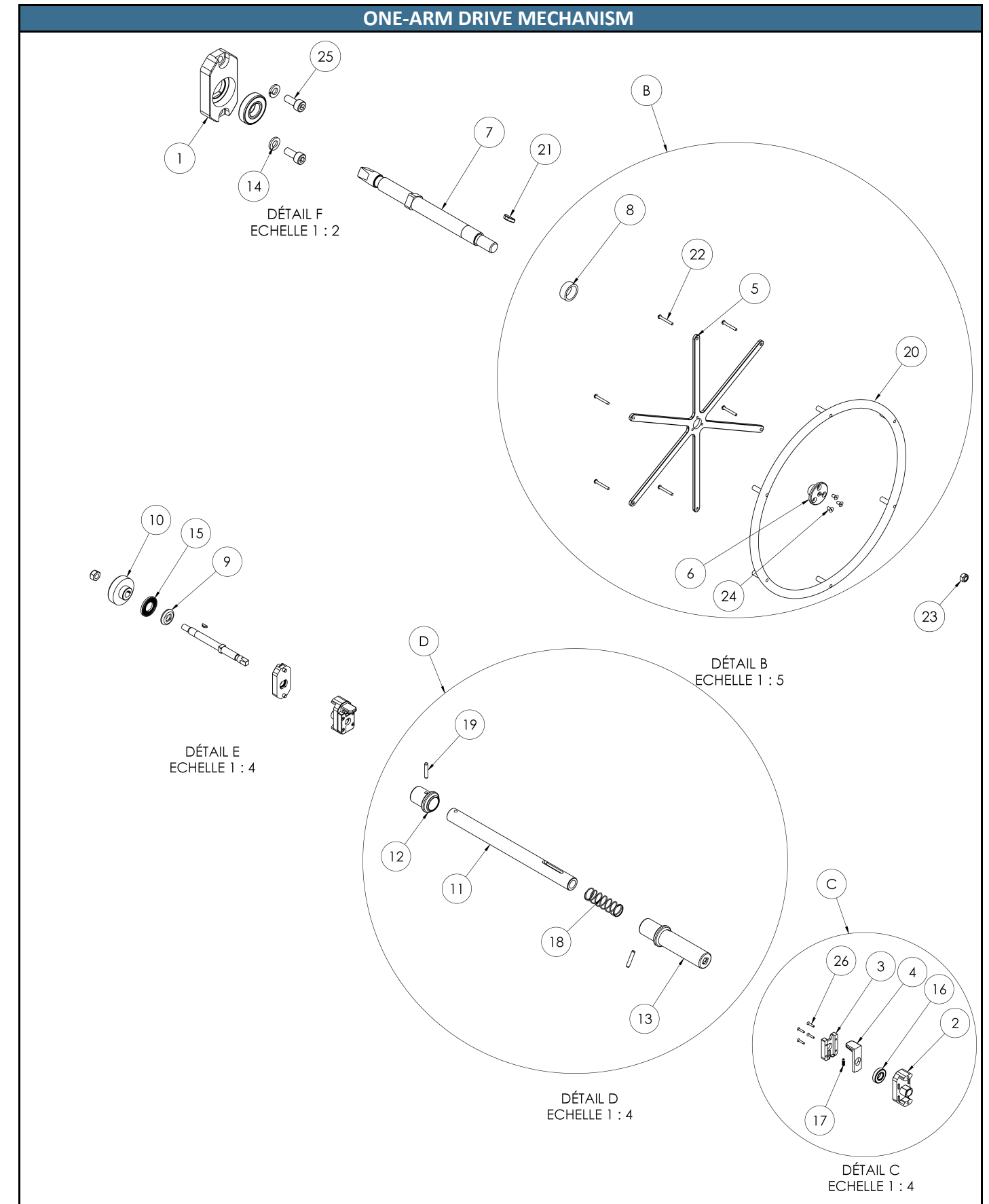
NO.	QTY	DRAWING NO.	DESCRIPTION
D	1	PH-05607-C14	DRIVE SHAFT WITH ONE-SIDED SPACER FOR 14"
	1	PH-05607-C15	DRIVE SHAFT WITH ONE-SIDED SPACER FOR 15"
	1	PH-05607-C16	DRIVE SHAFT WITH ONE-SIDED SPACER FOR 16"
	1	PH-05607-C17	DRIVE SHAFT WITH ONE-SIDED SPACER FOR 17"
	1	PH-05607-C18	DRIVE SHAFT WITH ONE-SIDED SPACER FOR 18"
	1	PH-05607-C19	DRIVE SHAFT WITH ONE-SIDED SPACER FOR 19"
	1	PH-05607-C20	DRIVE SHAFT WITH ONE-SIDED SPACER FOR 20"
	1	PH-05607-C21	DRIVE SHAFT WITH ONE-SIDED SPACER FOR 21"
	1	PH-05607-C22	DRIVE SHAFT WITH ONE-SIDED SPACER FOR 22"
	1	PH-05607-C23	DRIVE SHAFT WITH ONE-SIDED SPACER FOR 23"
	1	PH-05607-C24	DRIVE SHAFT WITH ONE-SIDED SPACER FOR 24"



ONE-ARM DRIVE MECHANISM

NO.	QTY	DRAWING NO.	DESCRIPTION
1	2	PH-05561	FEMALE BEARING SUPPORT FOR ONE-ARM DRIVE WHEELCHAIR
2	2	PH-05562	MALE BEARING SUPPORT FOR ONE-ARM DRIVE WHEELCHAIR
3	2	PH-05563	ONE-ARM DRIVE LOCK HOUSING
4	2	PH-05564	ONE-ARM DRIVE LOCK LATCH
5	1	PH-05566-C20	SECONDARY WHEEL 20" MOUNTING PLATE
	1	PH-05566-C22	SECONDARY WHEEL 22" MOUNTING PLATE
	1	PH-05566-C24	SECONDARY WHEEL 24" MOUNTING PLATE
	1	PH-05566-C26	SECONDARY WHEEL 26" MOUNTING PLATE
6	1	PH-05567	SECONDARY HUB CAP
7	2	PH-05599	ONE-ARM DRIVE WHEEL AXLE
8	1	PH-05600	ONE-ARM DRIVE WHEEL AND AXLE BLOCK SPACER
9	1	PH-05601	INTERIOR WHEEL CLAMP
10	1	PH-05602	CENTRAL HUB OPPOSITE WHEEL
11	1	PH-05604-C14	INTERN TRANSFER SHAFT FOR 14"
	1	PH-05604-C15	INTERN TRANSFER SHAFT FOR 15"
	1	PH-05604-C16	INTERN TRANSFER SHAFT FOR 16"
	1	PH-05604-C17	INTERN TRANSFER SHAFT FOR 17"
	1	PH-05604-C18	INTERN TRANSFER SHAFT FOR 18"
	1	PH-05604-C19	INTERN TRANSFER SHAFT FOR 19"
	1	PH-05604-C20	INTERN TRANSFER SHAFT FOR 20"
	1	PH-05604-C21	INTERN TRANSFER SHAFT FOR 21"
	1	PH-05604-C22	INTERN TRANSFER SHAFT FOR 22"
12	1	PH-05605	ONE-ARM DRIVE FIXED AXLE TUBE MOUNT
	1	PH-05606	SLIDING DRIVE BLOCK
14	4	ST-01640	LOCK WASHER ZI Ø1/4
15	1	ST-02587	FLAT WASHER "NORD LOCK" Ø3/4
16	4	ST-02918	BEARING OD Ø1-1/8" X ID Ø1/2
17	2	ST-03794	COMPRESSION SPRING Ø0.188X0.5X0.029
18	1	ST-03795	COMPRESSION SPRING Ø0.97X3X0.063
19	2	ST-03796	DOWEL PIN SS Ø6MMX32MM
20	1	ST-03799	ALUMINIUM HANDRIM 6 HOLES FOR 18" SPOKE
	1	ST-03814	ALUMINUM HANDRIM 6 HOLES FOR 20" SPOKE
	1	ST-52085	ALUMINUM HANDRIM 6 HOLES FOR 22" SPOKE
	1	ST-52086	ALUMINUM HANDRIM 6 HOLES FOR 24" SPOKE
21	2	ST-03870	WOODRUFF KEY 1/8" X 1/2" (HALF-MOON KEY)
22	3	ST-50063*	BUTTON HEAD CAP SCREW SS M5X0.8X30
	6	ST-50063*	BUTTON HEAD CAP SCREW SS M5X0.8X30
23	2	ST-50286	LOCK NUT ZI M10X1.5
24	3	ST-50544	FLAT HEAD CAP SCREW SS M6X1.0X12
25	4	ST-51479	SOCKET HEAD CAP SCREW SS M6X1.0X14
26	8	ST-52890	FLAT HEAD CAP SCREW SS M3X0.5X15

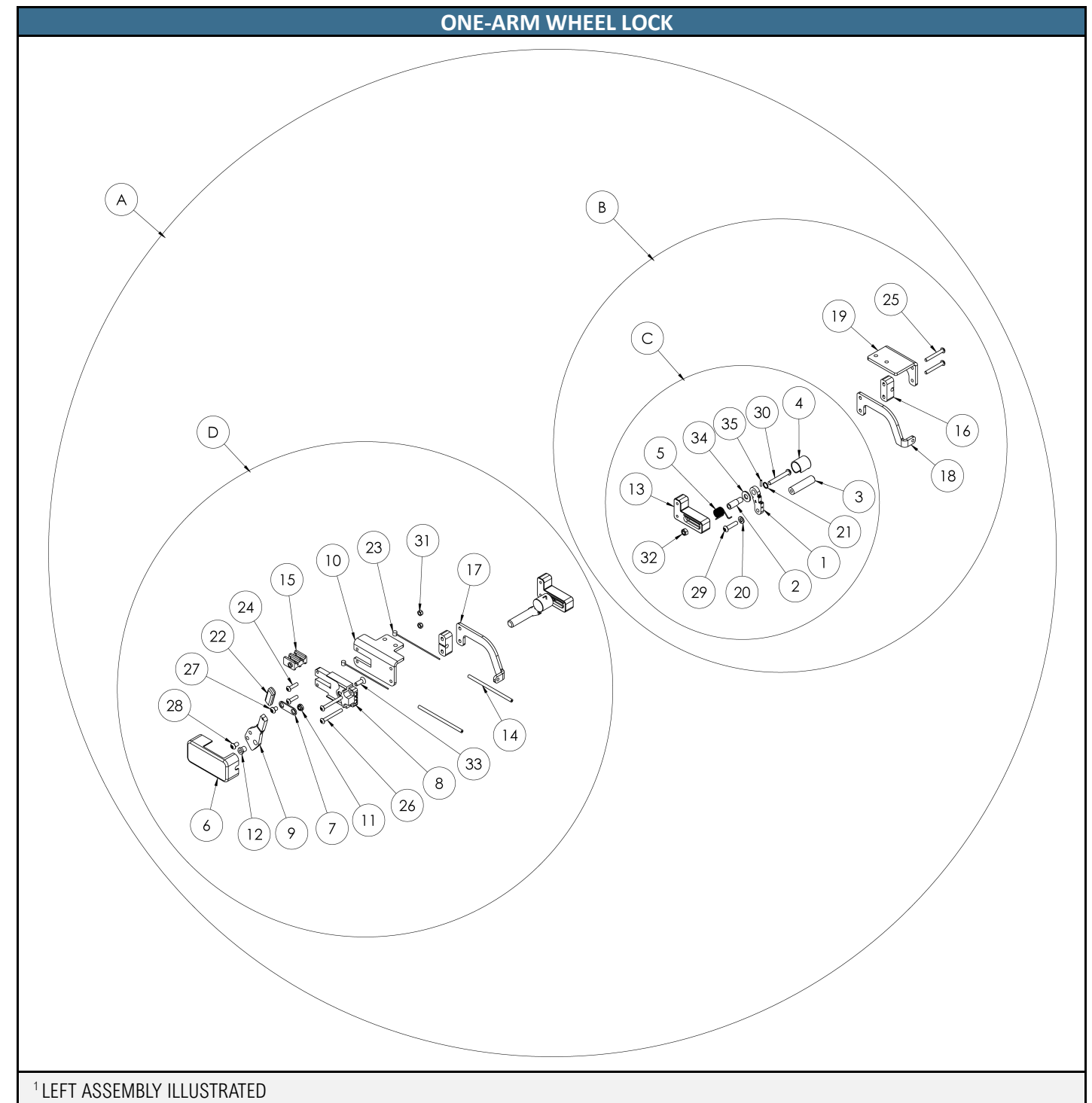
* FOR 20" WHEELS



ONE-ARM WHEEL LOCK

NO.	QTY	DRAWING NO.	DESCRIPTION
A	1	PH-05679-L	XL LEFT ONE-ARM PARK BRAKE
	1	PH-05679-R	XL RIGHT ONE-ARM PARK BRAKE
B	1	PH-05634-L	LEFT CABLE BRAKE MECHANISM FOR XL
	1	PH-05634-R	RIGHT CABLE BRAKE MECHANISM FOR XL
C	2	PH-05848-L	LEFT ONE-ARM BRAKE PIVOT SUPPORT
	2	PH-05848-R	RIGHT ONE-ARM BRAKE PIVOT SUPPORT
D	1	PH-05755-L	ONE-SIDED LEFT BRAKE ASSEMBLY WITH HANDLE
	1	PH-05755-R	ONE-SIDED RIGHT BRAKE ASSEMBLY WITH HANDLE

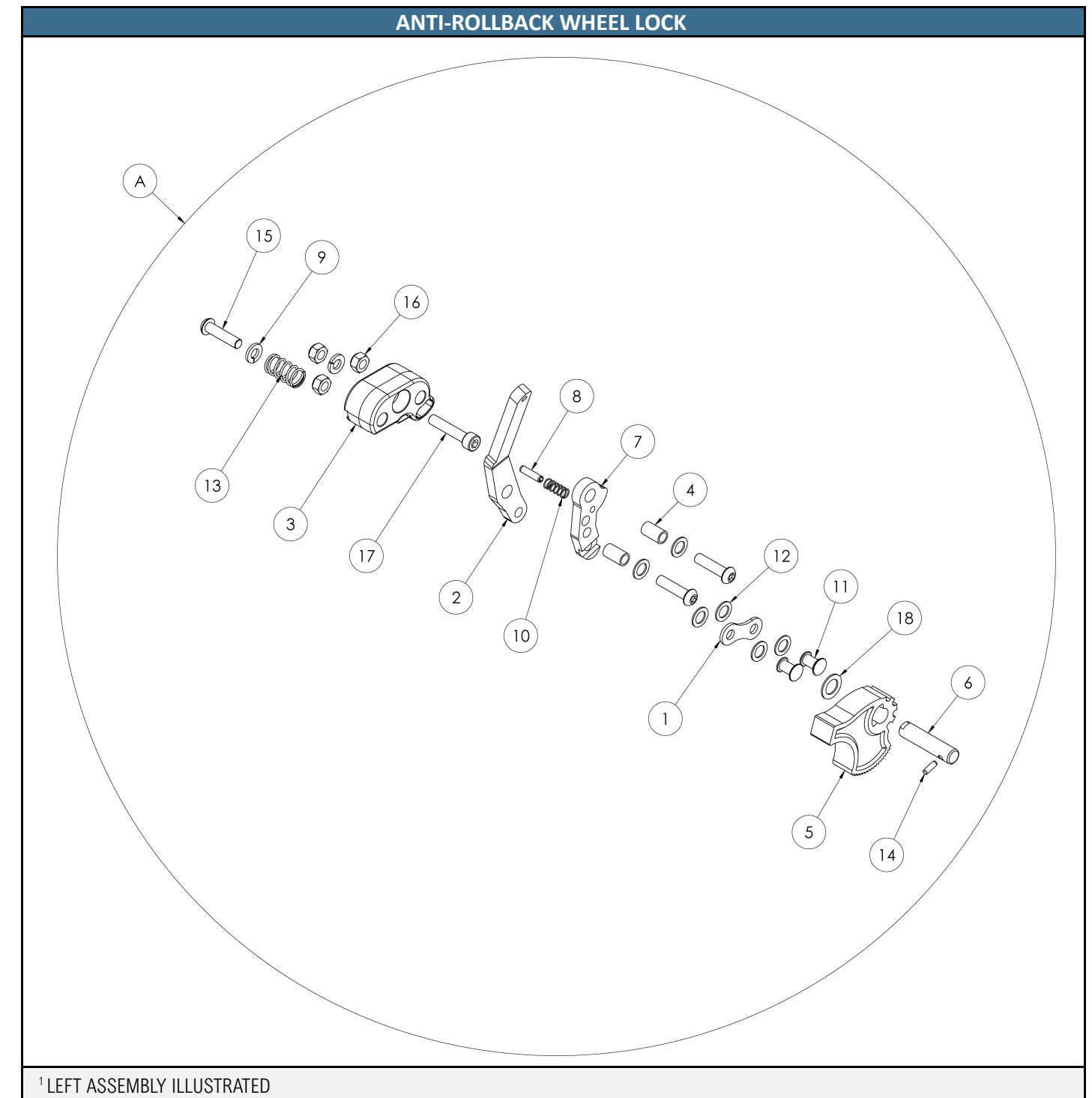
NO.	QTY	DRAWING NO.	DESCRIPTION
1	2	PH-05560	BOTTOM BRAKE PIVOT ARM
2	2	PH-05574	BOTTOM BRAKE ARM SPACER
3	2	PH-05576	BRAKE ROUND BAR
4	2	PH-05577	BOTTOM BRAKE SPRING CAP
5	2	PH-05578-L	LEFT BOTTOM CABLE BRAKE SPRING
	2	PH-05578-R	RIGHT BOTTOM CABLE BRAKE SPRING
6	1	PH-05580	LINEAR BRAKE CAP
7	1	PH-05581	LINEAR BRAKE PLATE
8	1	PH-05582	LINEAR BRAKE BLOCK
9	1	PH-05583-L	LEFT BRAKE HANDLE
	1	PH-05583-R	RIGHT BRAKE HANDLE
10	1	PH-05584-L	LEFT BRAKE SUPPORT PLATE
	1	PH-05584-R	RIGHT BRAKE SUPPORT PLATE
11	1	PH-05585	HIGH BRAKE SHORT SOCKET
12	1	PH-05586	HIGH BRAKE SHOCKET
13	2	PH-05633	UNILATERAL BRAKE BLOCK FOR XL
14	2	PH-05673	BLACK BRAKE HOSE
15	1	PH-05753	SLIDE FOR ONE-SIDED BRAKE UPPER PART
16	2	PH-05754	SINGLE-SIDED BRAKE CABLE SUPPORT BLOCK
	1	PH-05807-L	LEFT BRAKE CABLE SUPPORT PLATE
17	1	PH-05807-R	RIGHT BRAKE CABLE SUPPORT PLATE
	1	PH-05807-R	RIGHT BRAKE CABLE SUPPORT PLATE
18	1	PH-05807-L	LEFT BRAKE CABLE SUPPORT PLATE
	1	PH-05808-L	LEFT BRAKE SUPPORT PLATE
19	1	PH-05808-R	RIGHT BRAKE SUPPORT PLATE
20	2	ST-01640	LOCK WASHER ZI Ø1/4
21	2	ST-03076	NYLON FLAT WASHER Ø0.343
22	1	ST-03284	HANDLE LINER
23	2	ST-03808	INOX BRAKE CABLE
24	2	ST-50060	BUTTON HEAD CAP SCREW SS M5X0.8X20
25	2	ST-50065	BUTTON HEAD CAP SCREW SS M5X0.8X40
26	2	ST-50066	BUTTON HEAD CAP SCREW SS M5X0.8X45
27	1	ST-50111	BUTTON HEAD CAP SCREW SS M6X1.0X8
28	1	ST-50112	BUTTON HEAD CAP SCREW SS M6X1.0X10
29	2	ST-50118	BUTTON HEAD CAP SCREW SS M6X1.0X25
30	2	ST-50122	BUTTON HEAD CAP SCREW SS M6X1.0X45
31	2	ST-50283	LOCK NUT ZI M5X0.8
32	2	ST-50284	LOCK NUT ZI M6X1.0
33	1	ST-52013	FLAT HEAD CAP SCREW SS M6X1.0X18
34	2	ST-52888	NYLON FLAT WASHER Ø0.340
35	2	ST-52889	SET SCREW CUP POINT ZI M3X0.5X12



ANTI-ROLLBACK WHEEL LOCK

NO.	QTY	DRAWING NO.	DESCRIPTION
A	1	PH-05615-L	LEFT WHEEL LOCK
	1	PH-05615-R	RIGHT WHEEL LOCK

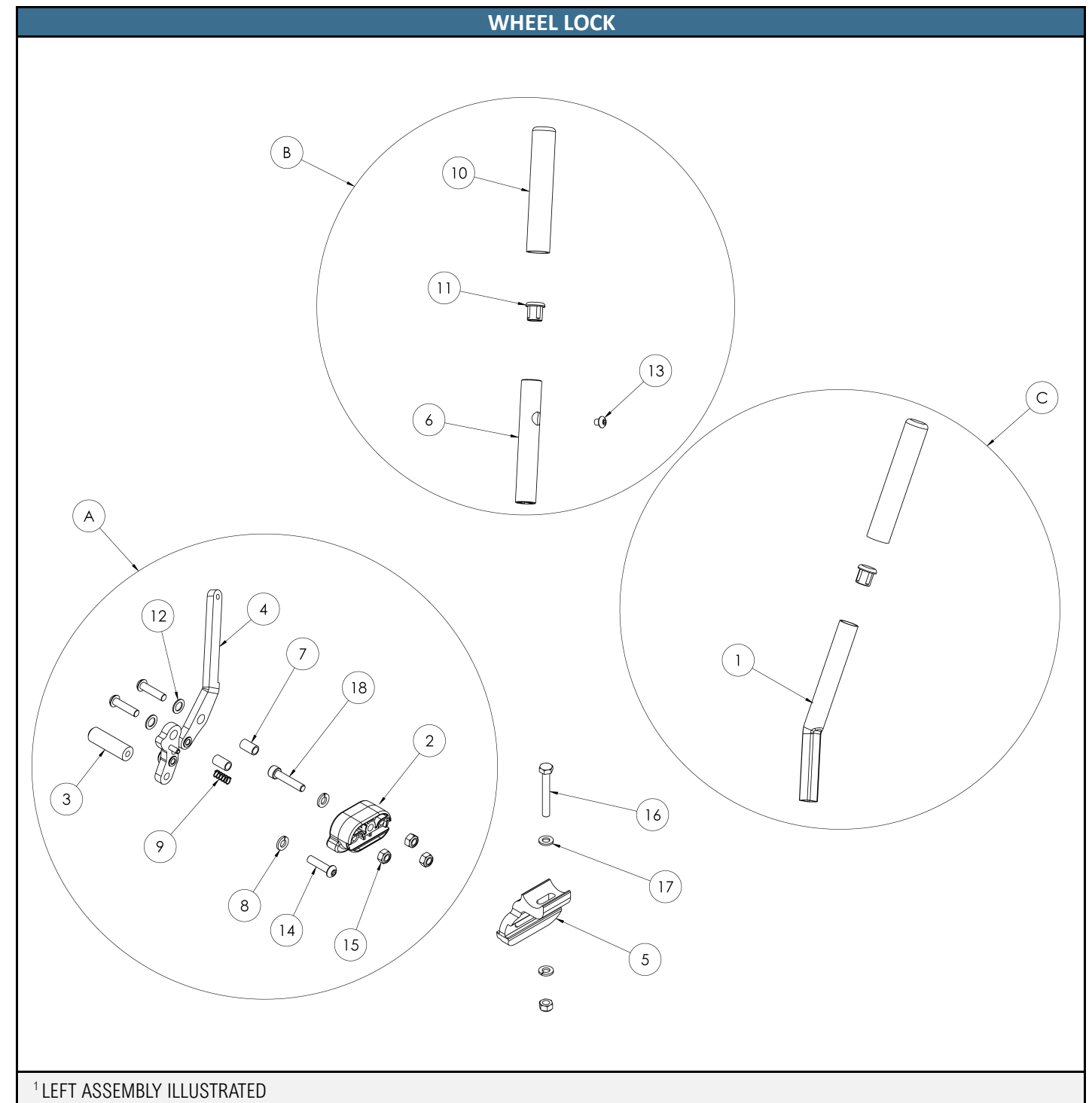
NO.	QTY	DRAWING NO.	DESCRIPTION
1	1	PH-02281A	LINK
2	1	PH-02281B	LEFT HANDLE
	1	PH-02281BR	RIGHT HANDLE
3	1	PH-02281D	BRAKE SOLID FRAME LEFT
	1	PH-02281DR	BRAKE SOLID FRAME RIGHT
4	2	PH-05390	BRAKE BUSHING
5	1	PH-05613	ANTI-KICKBACK BRAKE CAM
6	1	PH-05614	WHEEL LOCK SHAFT
7	1	PH-05843-L	LEFT ANTI-KICKBACK BRAKE MEMBER
	1	PH-05843-R	RIGHT ANTI-KICKBACK BRAKE MEMBER
8	1	ST-01031	SPRING PIN Ø5/32 X 5/8
9	2	ST-01640	LOCK WASHER ZI Ø1/4
10	1	ST-02695	COMPRESSION SPRING Ø1/4X0.596X0.023
11	2	ST-03180	OVAL HEAD TUBULAR RIVET 1/4" X 1/2"(7/16"HEAD DIA.)
12	6	ST-03273	NYLON FLAT WASHER Ø0.315
13	1	ST-03797	COMPRESSION SPRING Ø0.48X0.875X0.045
14	1	ST-03798	DOWEL PIN Ø1/8X3/8
15	3	ST-50118	BUTTON HEAD CAP SCREW SS M6X1.0X25
16	3	ST-50284	LOCK NUT ZI M6X1.0
17	1	ST-51484	SOCKET SCREW SS M6X1.0X30
18	1	ST-52891	FLAT WASHER SS Ø0.39



WHEEL LOCK

NO.	QTY	DRAWING NO.	DESCRIPTION
A	1	PH-02281	LEFT PUSH BRAKE ASSEMBLY
	1	PH-02281R	RIGHT PUSH BRAKE ASSEMBLY
	1	PH-03439	LEFT PULL BRAKE
	1	PH-03440	RIGHT PULL BRAKE
B	1	PH-02536	BRAKE EXTENTION HANDLE
C	1	05-00003	FIXED BRAKE EXTENSION HANDLE

NO.	QTY	DRAWING NO.	DESCRIPTION
1	1	PH-00692	LEVER EXTENSION HANDLE
2	1	PH-02281D	BRAKE SOLID FRAME LEFT
	1	PH-02281DR	BRAKE SOLID FRAME RIGHT
3	1	PH-02281E	BRAKE ROUND BAR
4	1	PH-02281J	RIGHT PUSH BRAKE HANDLE
	1	PH-02281I	LEFT PUSH BRAKE HANDLE
5	1	PH-02281K	BRAKE SUPPORT
6	1	PH-03974	TELESCOPIC HANDLE BRAKE EXTENSION
7	2	PH-05390	BRAKE BUSHING
8	3	ST-01640	LOCK WASHER ZI Ø1/4
9	1	ST-02695	COMPRESSION SPRING Ø1/4X0.596X0.023
10	1	ST-02701	BLACK SOFT TEXTURE VINYL GRIPS Ø0.625X4
11	1	ST-03130	PLASTIC CAP Ø5/8
12	2	ST-03273	NYLON FLAT WASHER Ø0.315
13	1	ST-50055	BUTTON HEAD CAP SCREW SS M5X0.8X6
14	3	ST-50118	BUTTON HEAD CAP SCREW SS M6X1.0X25
15	4	ST-50284	LOCK NUT ZI M6X1.0
16	1	ST-50923	HEXAGONAL HEAD CAP SCREW SS M6X1.0X45
17	1	ST-51066	FLAT WASHER SS M6
18	1	ST-51484	SOCKET SCREW SS M6X1.0X30

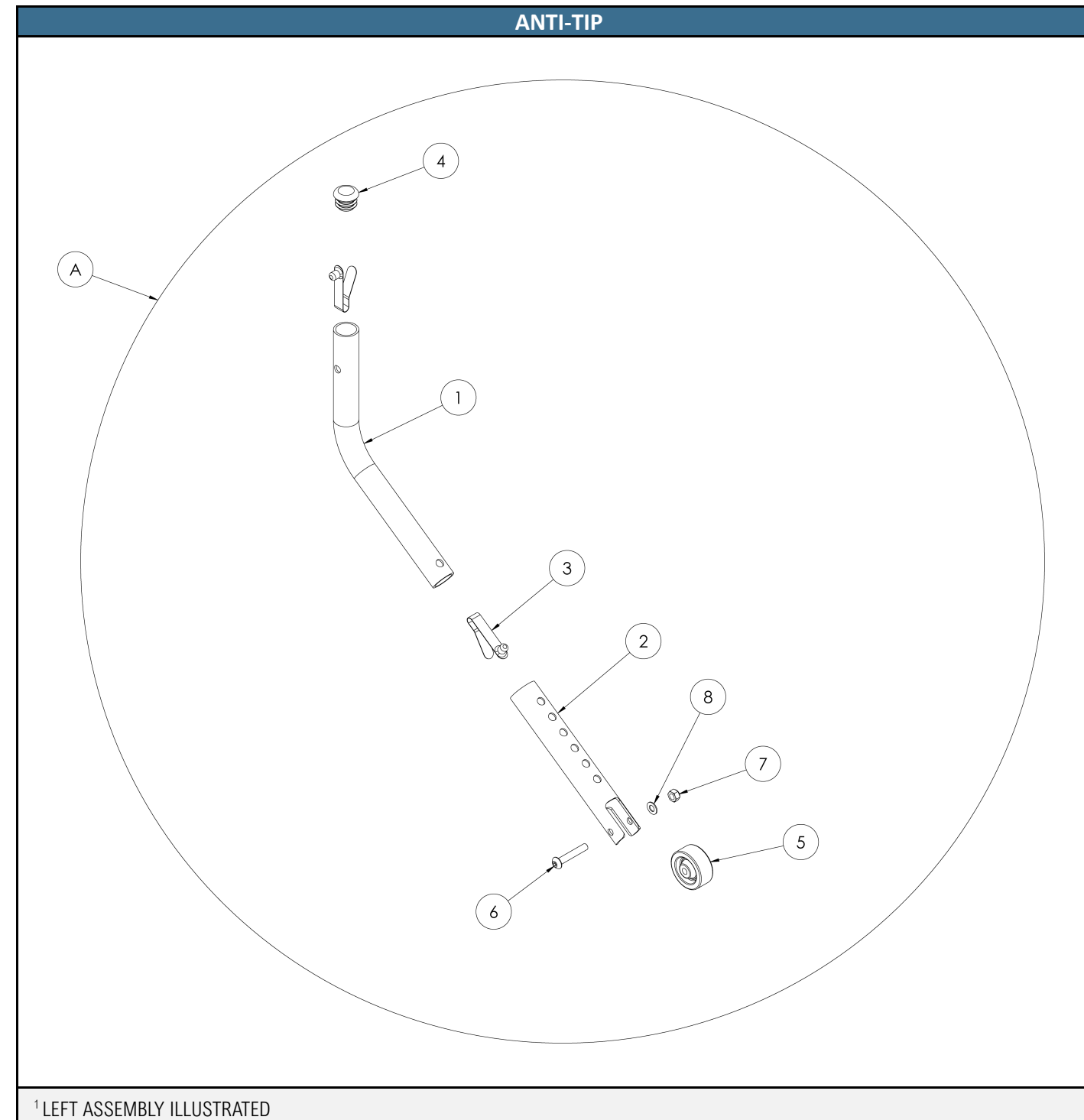


¹ LEFT ASSEMBLY ILLUSTRATED

ANTI-TIP

NO.	QTY	DRAWING NO.	DESCRIPTION
A	1	06-00001	RIGHT ANTI-TIP
	1	06-00002	LEFT ANTI-TIP
	1	06-00016-L	LEFT LONG HD ANTI-TIP
	1	06-00016-R	RIGHT LONG HD ANTI-TIP

NO.	QTY	DRAWING NO.	DESCRIPTION
1	1	PH-01541	LONG ANTI-TIP'S TOP TUBE
	1	PH-04500	LONG HD ANTI-TIP'S TOP TUBE
2	1	PH-01542	LONG ANTI-TIP'S BOTTOM TUBE
3	2	ST-02617	SNAP BUTTON B-SINGLE TYPE
4	1	ST-02623	PLASTIC CAP Ø3/4
5	1	ST-02998	PLASTIC WHEEL Ø1-1/4"
6	1	ST-50063	BUTTON HEAD CAP SCREW SS M5X0.8X30
7	1	ST-50277	LOCK NUT SS M5X0.8
8	1	ST-51065	FLAT WASHER SS M5

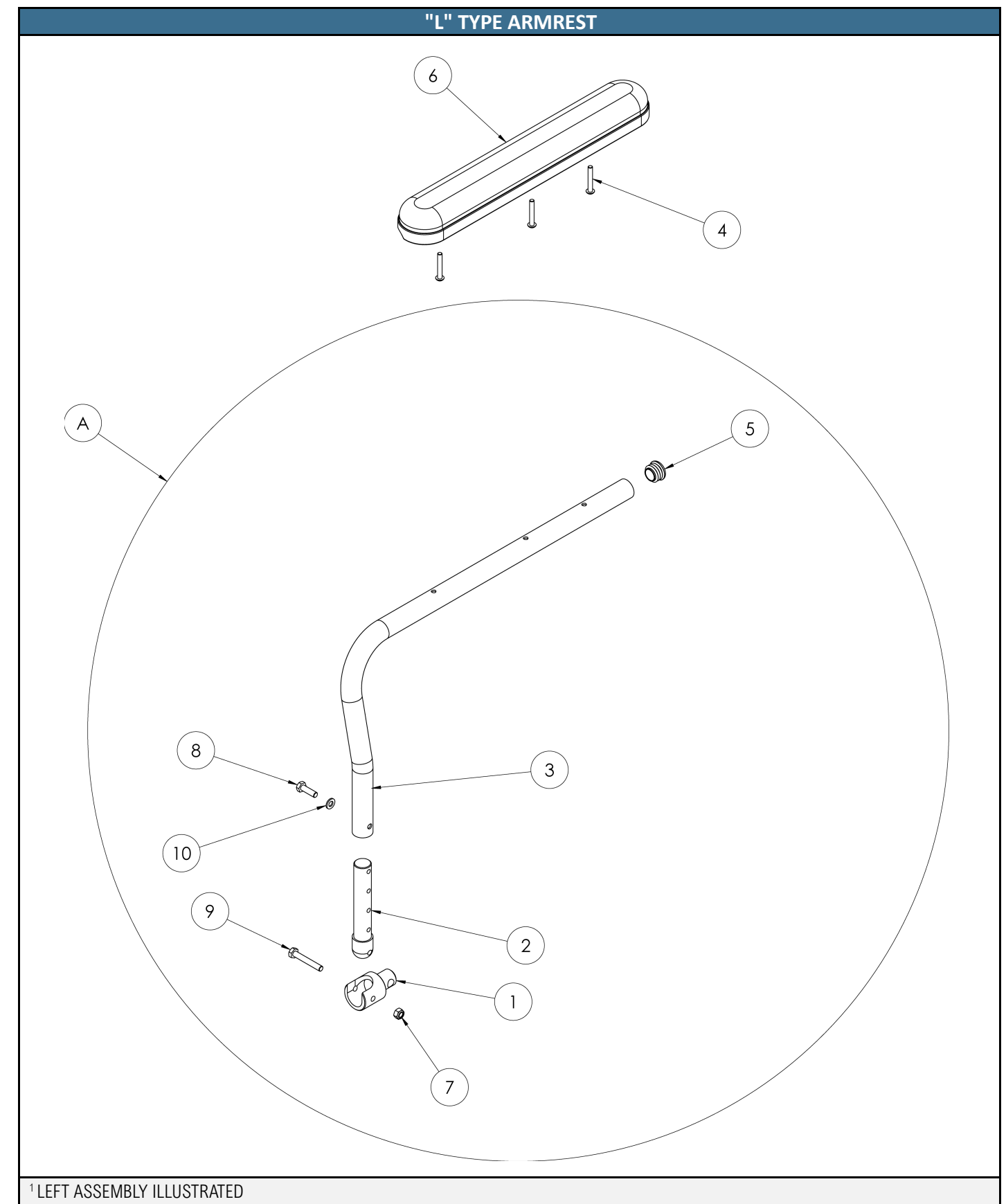


¹ LEFT ASSEMBLY ILLUSTRATED

"L" TYPE ARMREST

NO.	QTY	DRAWING NO.	DESCRIPTION
A	1	08-00001	LEFT "L" ARMREST
	1	08-00002	RIGHT "L" ARMREST

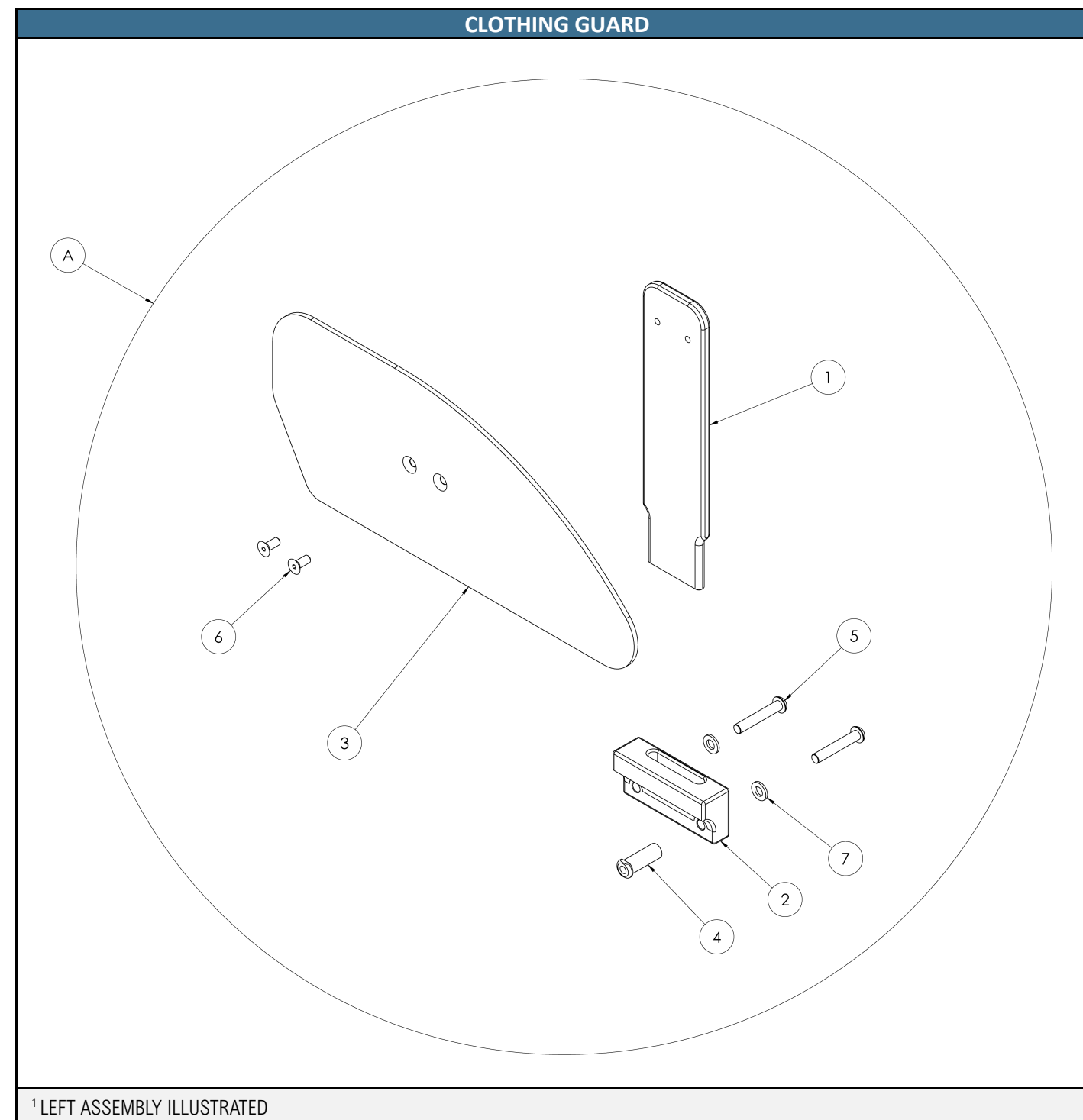
NO.	QTY	DRAWING NO.	DESCRIPTION
1	1	PH-00887	PIVOT
2	1	PH-00888	SHAFT
3	1	PH-00890	LEFT SHORT ARMREST
	1	PH-00892	RIGHT SHORT ARMREST
	1	PH-00889	LEFT LONG ARMREST
	1	PH-00891	RIGHT LONG ARMREST
4	3	ST-00104	BUTTON HEAD CAP SCREW SS #10-32X1-1/4
5	1	ST-02624	PLASTIC CAP Ø7/8
6	1	ST-02547	DESK ARMPAD FIRM FOAM - BLACK
	1	ST-02948	FULL ARMPAD FIRM FOAM - BLACK
	1	ST-03753	DESK ARMPAD WATERFALL GEL - BLACK
	1	ST-52143	FULL ARMPAD WATERFALL GEL - BLACK
	1	ST-03816	PROFIED ARMPAD - BLACK
7	1	ST-50284	LOCK NUT Z1 M6X1.0
8	1	ST-50919	HEXAGONAL HEAD CAP SCREW SS M6X1.0X20
9	1	ST-50922	HEXAGONAL HEAD CAP SCREW SS M6X1.0X40
10	1	ST-51066	FLAT WASHER SS M6



CLOTHING GUARD

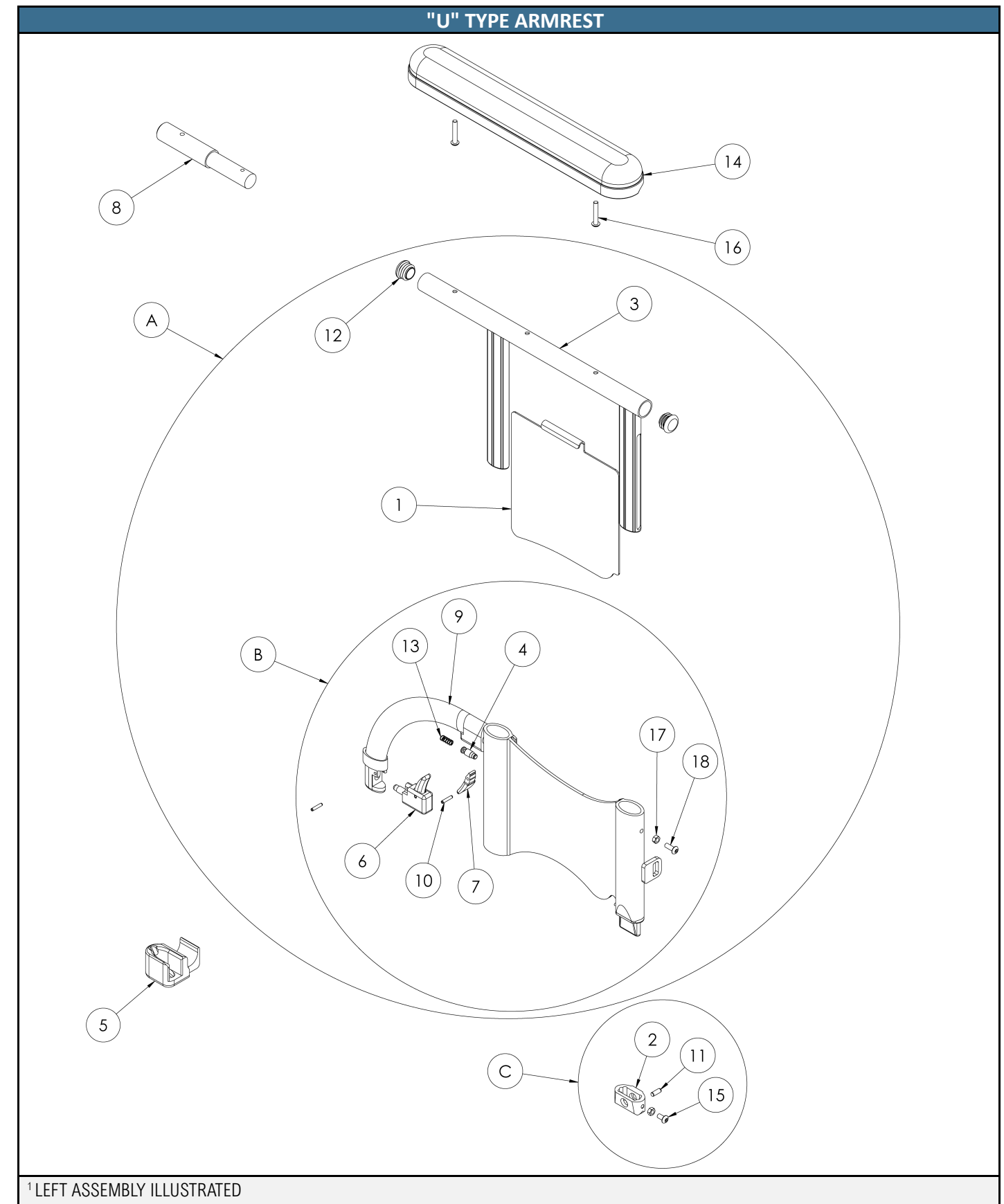
NO.	QTY	DRAWING NO.	DESCRIPTION
A	1	07-00001	RIGHT CLOTH PROTECTOR
	1	07-00002	LEFT CLOTH PROTECTOR

NO.	QTY	DRAWING NO.	DESCRIPTION
1	1	PH-00893	CLOTHE PROTECTOR SUPPORT
2	1	PH-00894	CLOTH ANCHOR PROTECTOR
3	1	PH-00896	RIGHT CLOTH PROTECTOR
	1	PH-00897	LEFT CLOTH PROTECTOR
4	1	PH-05528	THREADED SHOULDER SLEEVE Ø 3/8 X 1 3/8"
5	2	ST-50120	BUTTON HEAD CAP SCREW SS M6X1.0X35
6	2	ST-50479	FLAT HEAD CAP SCREW SS M5X0.8X12
7	2	ST-51066	FLAT WASHER SS M6



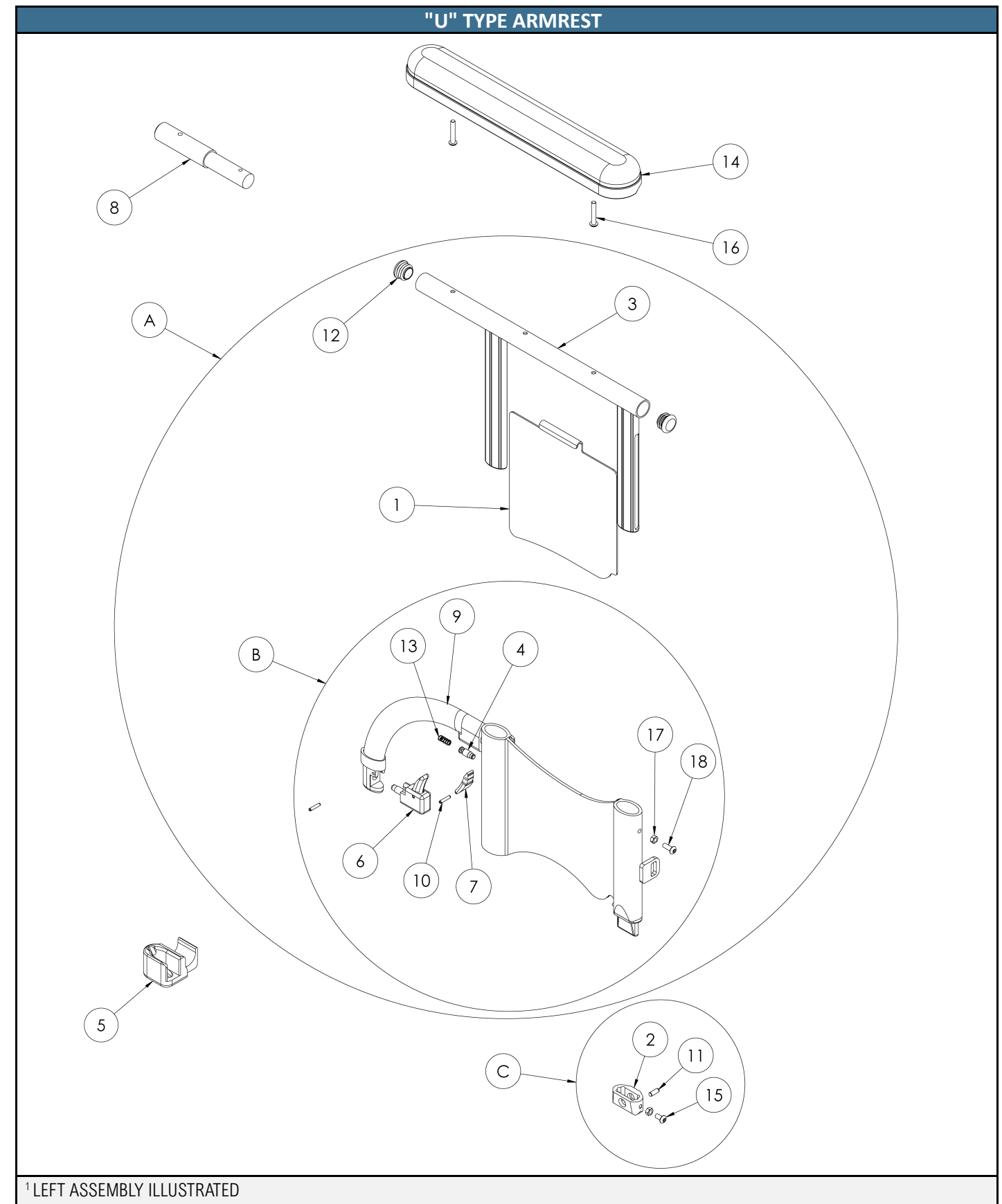
"U" TYPE ARMREST

NO.	QTY	DRAWING NO.	DESCRIPTION
A	1	08-00065	X-MINI LEFT ROBUST "U" ARMREST - WHEELCHAIR DEPTH 12" AND 13"
	1	08-00066	X-MINI RIGHT ROBUST "U" ARMREST - WHEELCHAIR DEPTH 12" AND 13"
	1	08-00063	MINI LEFT ROBUST "U" ARMREST - WHEELCHAIR DEPTH 14"
	1	08-00064	MINI RIGHT ROBUST "U" ARMREST - WHEELCHAIR DEPTH 14"
	1	08-00057	SMALL LEFT ROBUST "U" ARMREST - WHEELCHAIR DEPTH 15" AND 16"
	1	08-00058	SMALL RIGHT ROBUST "U" ARMREST - WHEELCHAIR DEPTH 15" AND 16"
	1	08-00051	MEDIUM LEFT ROBUST "U" ARMREST - WHEELCHAIR DEPTH 17" AND 18"
	1	08-00052	MEDIUM RIGHT ROBUST "U" ARMREST - WHEELCHAIR DEPTH 17" AND 18"
	1	08-00053	LONG LEFT ROBUST "U" ARMREST - WHEELCHAIR DEPTH 19" AND +
	1	08-00054	LONG RIGHT ROBUST "U" ARMREST - WHEELCHAIR DEPTH 19" AND +
	1	08-00045	SHORT LEFT LOWER "U" ARMREST - WHEELCHAIR DEPTH 15" AND 16"
	1	08-00046	SHORT RIGHT LOWER "U" ARMREST - WHEELCHAIR DEPTH 15" AND 16"
	1	08-00047	MEDIUM LEFT LOWER "U" ARMREST - WHEELCHAIR DEPTH 17" AND 18"
	1	08-00048	MEDIUM RIGHT LOWER "U" ARMREST - WHEELCHAIR DEPTH 17" AND 18"
	1	08-00049	LONG LEFT LOWER "U" ARMREST - WHEELCHAIR DEPTH 19" AND +
1	08-00050	LONG RIGHT LOWER "U" ARMREST - WHEELCHAIR DEPTH 19" AND +	
B	1	PH-05080GA	LEFT LOWER STANDARD X-MINI "U" ARMREST
	1	PH-05080DR	RIGHT STANDARD LOWER X-MINI "U" ARMREST
	1	PH-05081GA	LEFT LOWER STANDARD MINI "U" ARMREST
	1	PH-05081DR	RIGHT LOWER STANDARD MINI "U" ARMREST
	1	PH-05082GA	LEFT LOWER STANDARD SMALL "U" ARMREST
	1	PH-05082DR	RIGHT LOWER STANDARD SMALL "U" ARMREST
	1	PH-05084GA	LEFT LOWER STANDARD MEDIUM "U" ARMREST
	1	PH-05084DR	RIGHT LOWER STANDARD MEDIUM "U" ARMREST
	1	PH-05086GA	LEFT LOWER STANDARD LONG "U" ARMREST
	1	PH-05086DR	RIGHT LOWER STANDARD LONG "U" ARMREST
	1	PH-05083GA	LEFT LOWER LOWERED SMALL "U" ARMREST
	1	PH-05083DR	RIGHT LOWER LOWERED SMALL "U" ARMREST
	1	PH-05085GA	LEFT LOWER LOWERED MEDIUM "U" ARMREST
	1	PH-05085DR	RIGHT LOWER LOWERED MEDIUM "U" ARMREST
	1	PH-05087GA	LEFT LOWER LOWERED LONG "U" ARMREST
1	PH-05087DR	RIGHT LOWER LOWERED LONG "U" ARMREST	
C	1	PH-04821	MORTISE LEFT
	1	PH-04822	MORTISE RIGHT



"U" TYPE ARMREST

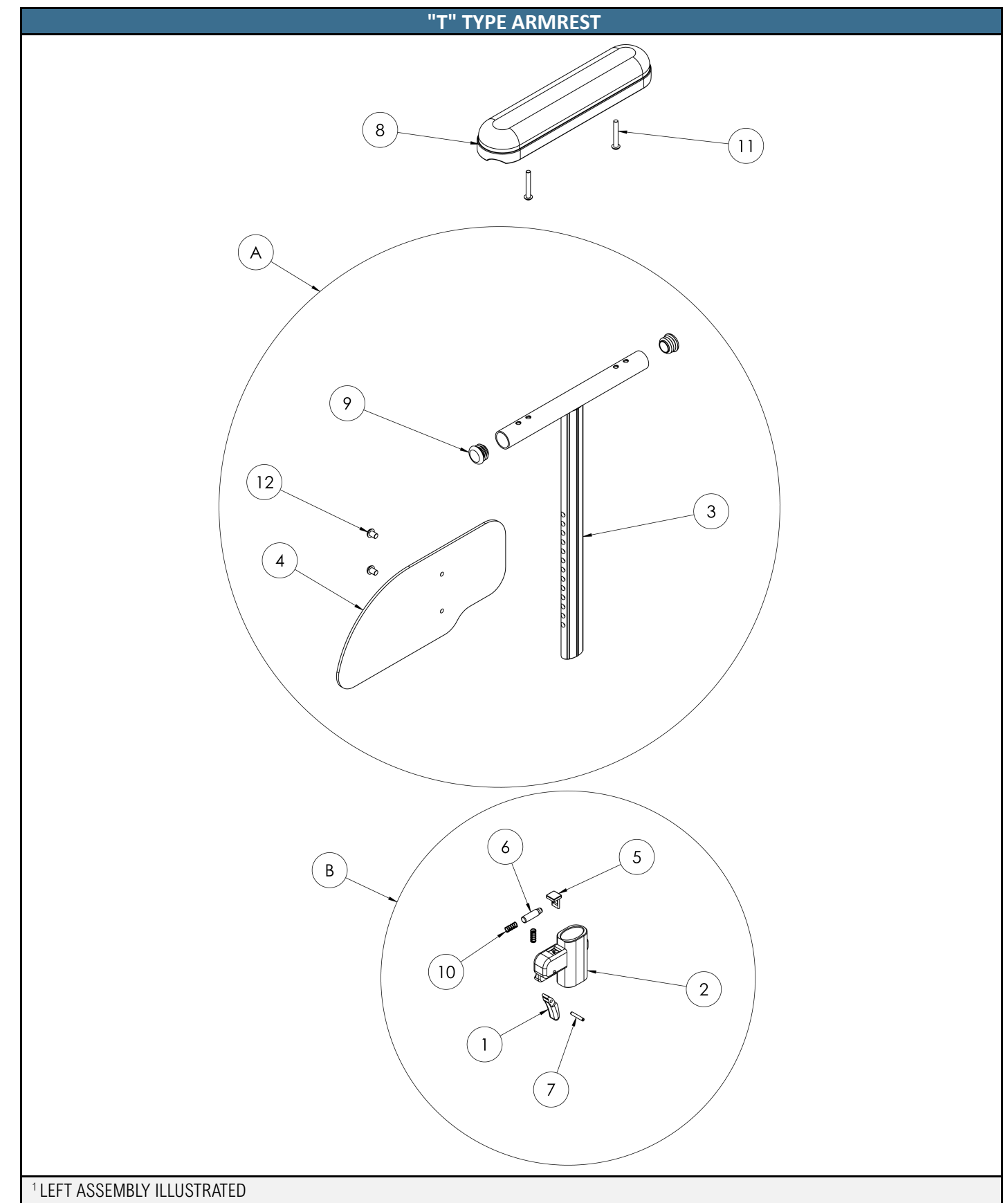
NO.	QTY	DRAWING NO.	DESCRIPTION
1	1	PH-02080	LEFT CLOTH PROTECTOR
1	1	PH-02081	RIGHT CLOTH PROTECTOR
1	1	PH-02985	SHORT LEFT CLOTH PROTECTOR
1	1	PH-02986	SHORT RIGHT CLOTH PROTECTOR
1	1	PH-03308	LONG LEFT CLOTH PROTECTOR
1	1	PH-03309	LONG RIGHT CLOTH PROTECTOR
2	1	PH-02155	MORTISE
3	1	PH-02982	SHORT SLIDE ASSEMBLY
3	1	PH-02267	MEDIUM SLIDE ASSEMBLY
3	1	PH-03156	LONG SLIDE ASSEMBLY
4	1	PH-02270	ARMREST PLUNGER
5	1	PH-02291	FRONT LEFT ANCHOR
5	1	PH-02291R	FRONT RIGHT ANCHOR
6	1	PH-02397	LOWER ARMREST PRE-ASSEMBLED CLIP
7	1	PH-02420B	TRIGGER
8	1	PH-03046	ARMREST EXTENSION
9	1	PH-03733GA	LEFT STANDARD X-MINI "U" ARMREST FRAME
9	1	PH-03733DR	RIGHT STANDARD X-MINI "U" ARMREST FRAME
9	1	PH-03482	RIGHT STANDARD MINI "U" ARMREST FRAME
9	1	PH-03483	LEFT STANDARD MINI "U" ARMREST FRAME
9	1	PH-03420	RIGHT STANDARD SMALL "U" ARMREST FRAME
9	1	PH-03421	LEFT STANDARD SMALL "U" ARMREST FRAME
9	1	PH-03165	RIGHT STANDARD MEDIUM "U" ARMREST FRAME
9	1	PH-03166	LEFT STANDARD MEDIUM "U" ARMREST FRAME
9	1	PH-03167	RIGHT STANDARD LONG "U" ARMREST FRAME
9	1	PH-03168	LEFT STANDARD LONG "U" ARMREST FRAME
9	1	PH-02988	LEFT LOWERED SMALL "U" ARMREST FRAME
9	1	PH-02989	RIGHT LOWERED SMALL "U" ARMREST FRAME
9	1	PH-02983	LEFT LOWERED MEDIUM "U" ARMREST FRAME
9	1	PH-02984	RIGHT LOWERED MEDIUM "U" ARMREST FRAME
9	1	PH-02990	LEFT LOWERED LONG "U" ARMREST FRAME
9	1	PH-02991	RIGHT LOWERED LONG "U" ARMREST FRAME
10	2	ST-00995	SPRING PIN Ø1/8X5/8
11	1	ST-01216	DOWEL PIN SS Ø3/16X1/2
12	2	ST-02624	PLASTIC CAP Ø7/8
13	1	ST-02695	COMPRESSION SPRING Ø1/4X0.596X0.023
14	1	ST-02547	DESK ARMPAD FIRM FOAM - BLACK
14	1	ST-02948	FULL ARMPAD FIRM FOAM - BLACK
14	1	ST-03753	DESK ARMPAD WATERFALL GEL - BLACK
14	1	ST-52143	FULL ARMPAD WATERFALL GEL - BLACK
14	1	ST-03816	PROFILED ARMPAD - BLACK
15	1	ST-50057	BUTTON HEAD CAP SCREW SS M5X0.8X10
16	2	ST-50064	BUTTON HEAD CAP SCREW SS M5X0.8X35
17	2	ST-50306	HEXAGONAL NUT ZI M5X0.8
18	1	ST-51997	BUTTON HEAD CAP SCREW SS M5X0.8X14



"T" TYPE ARMREST

NO.	QTY	DRAWING NO.	DESCRIPTION
A	1	PH-05641-L	LEFT LOWERED "T" TYPE ARMREST STRUCTURE FOR SHORT FOAM PAD
	1	PH-05641-R	RIGHT LOWERED "T" TYPE ARMREST STRUCTURE FOR SHORT FOAM PAD
	1	PH-05676-L	LEFT LOWERED "T" TYPE ARMREST STRUCTURE FOR LONG FOAM PAD
	1	PH-05676-R	RIGHT LOWERED "T" TYPE ARMREST STRUCTURE FOR LONG FOAM PAD
	1	PH-05677-L	LEFT STANDARD "T" TYPE ARMREST STRUCTURE FOR SHORT FOAM PAD
	1	PH-05677-R	RIGHT STANDARD "T" TYPE ARMREST STRUCTURE FOR SHORT FOAM PAD
	1	PH-05678-L	LEFT STANDARD "T" TYPE ARMREST STRUCTURE FOR LONG FOAM PAD
	1	PH-05678-R	RIGHT STANDARD "T" TYPE ARMREST STRUCTURE FOR LONG FOAM PAD
B	1	PH-05642-L	LEFT "T" TYPE ARMREST RECEIVER STRUCTURE
	1	PH-05642-R	RIGHT "T" TYPE ARMREST RECEIVER STRUCTURE

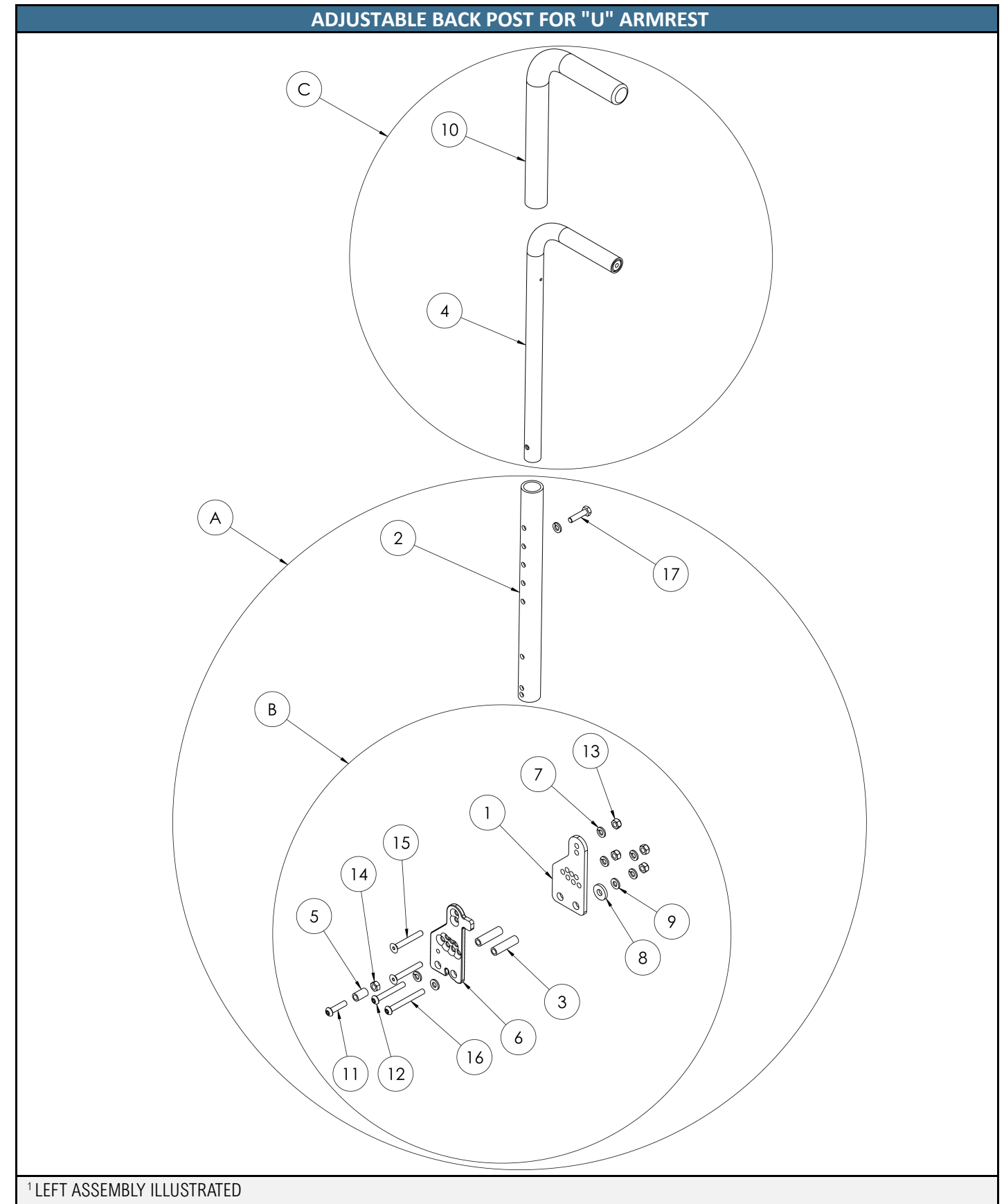
NO.	QTY	DRAWING NO.	DESCRIPTION
1	1	PH-02420B	TRIGGER
2	1	PH-05451-L	LEFT "T" ARM SUPPORT
	1	PH-05451-R	RIGHT "T" ARM SUPPORT
3	1	PH-05453-CS	LEFT LOWERED "T" ARMREST STRUCTURE FOR LONG FOAM PAD
	1	PH-05453-CL	LEFT LOWERED "T" ARMREST STRUCTURE FOR SHORT FOAM PAD
	1	PH-05454-CS	LEFT STANDARD "T" ARMREST STRUCTURE FOR LONG FOAM PAD
	1	PH-05454-CL	LEFT STANDARD "T" ARMREST STRUCTURE FOR SHORT FOAM PAD
	1	PH-05877-CS	RIGHT LOWERED "T" ARMREST STRUCTURE FOR LONG FOAM PAD
	1	PH-05877-CL	RIGHT LOWERED "T" ARMREST STRUCTURE FOR SHORT FOAM PAD
4	1	PH-05455-L	LEFT SMALL CLOTHING PROTECTOR PLATE FOR "T" ARMREST
	1	PH-05455-R	RIGHT SMALL CLOTHING PROTECTOR PLATE FOR "T" ARMREST
5	1	PH-05554	"T" ARM SUPPORT BAR BUTTON
6	1	PH-05555	"T" ARM SUPPORT LOCKING PLUNGER
7	1	ST-00997	SPRING PIN Ø1/8X3/4
8	1	ST-02547	DESK ARMPAD FIRM FOAM - BLACK
	1	ST-02948	FULL ARMPAD FIRM FOAM - BLACK
	1	ST-03753	DESK ARMPAD WATERFALL GEL - BLACK
	1	ST-52143	FULL ARMPAD WATERFALL GEL - BLACK
	1	ST-03816	PROFILED ARMPAD - BLACK
9	2	ST-02624	PLASTIC CAP Ø7/8
10	2	ST-02695	COMPRESSION SPRING Ø1/4X0.596X0.023
11	2	ST-50064	BUTTON HEAD CAP SCREW SS M5X0.8X35
12	2	ST-50111	BUTTON HEAD CAP SCREW SS M6X1.0X8



ADJUSTABLE BACK POST FOR "U" ARMREST

NO.	QTY	DRAWING NO.	DESCRIPTION
A	1	09-00023	RIGHT HEIGHT AND ANGLE ADJUSTABLE BACK POST FOR "U" ARMREST
	1	09-00024	LEFT HEIGHT AND ANGLE ADJUSTABLE BACK POST FOR "U" ARMREST
B	1	09-00025	RIGHT BACK POST SUPPORT FOR "U" ARMREST
	1	09-00026	LEFT BACK POST SUPPORT FOR "U" ARMREST
C	1	PH-05643	PUSH HANDLE WITH COVER- STRAIGHT BACK POST 12" TO 15"
	1	PH-05644	PUSH HANDLE WITH COVER- STRAIGHT BACK POST 16" TO 20"
	1	PH-05645	PUSH HANDLE WITH COVER- STRAIGHT BACK POST 21" TO 25"
	1	PH-05646	PUSH HANDLE WITH COVER – 8° BACK POST 16" TO 20"
	1	PH-05647	PUSH HANDLE WITH COVER – 8° BACK POST 21" TO 26"

NO.	QTY	DRAWING NO.	DESCRIPTION
1	1	PH-00902	ANCHOR PLATE
2	1	PH-00904	STEM CANE'S RECEPTACLE TUBE
3	2	PH-00912	SLEEVE Ø 3/8 X 1 3/8"
4	1	PH-00908	RIGHT Ø3/4 CANE 12" TO 15"
	1	PH-00915	RIGHT Ø3/4 CANE 16-20
	1	PH-00917	RIGHT Ø3/4 CANE 21-25
	1	PH-00919	Ø3/4 CANE 8° 16-20
	1	PH-00913	Ø3/4 CANE 8° 21-25
5	1	PH-01608A	RING
6	1	PH-03173	RIGHT ANCHOR ROBUST PLATE
	1	PH-03174	LEFT ACHOR ROBUST PLATE
7	6	ST-01640	LOCK WASHER ZI Ø1/4
8	1	ST-02494	PLASTIC FLAT WASHER Ø0.3125
9	2	ST-02575	PLASTIC FLAT WASHER Ø1/4
10	1	ST-03686	BLACK SOFT TEXTURE VINYL GRIPS Ø3/4X12
11	1	ST-50118	BUTTON HEAD CAP SCREW SS M6X1.0X25
12	1	ST-50122	BUTTON HEAD CAP SCREW SS M6X1.0X45
13	4	ST-50284	LOCK NUT ZI M6X1.0
14	1	ST-50369	HEXAGONAL NUT ZI M6X1.0
15	2	ST-50552	FLAT HEAD CAP SCREWS SS M6X1.0X45
16	1	ST-51880	BUTTON HEAD CAP SCREW SS M6X1.0X55
17	1	ST-51958	HEXAGONAL HEAD CAP SCREW SS M6X10X25

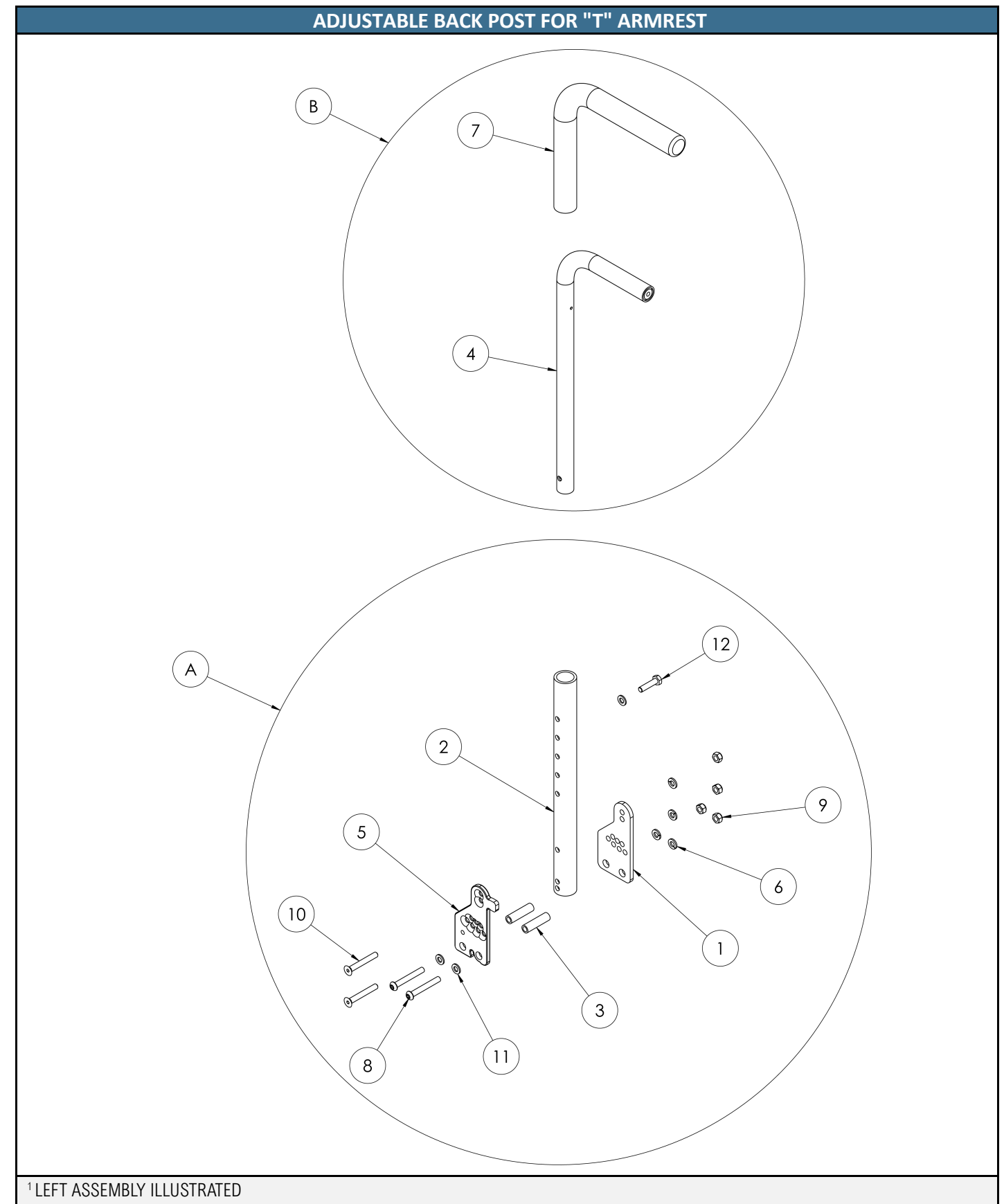


¹ LEFT ASSEMBLY ILLUSTRATED

ADJUSTABLE BACK POST FOR "T" ARMREST

NO.	QTY	DRAWING NO.	DESCRIPTION
A	1	09-00012	RIGHT HEIGHT AND ANGLE ADJUSTABLE BACK POST FOR "T" ARMREST
	1	09-00013	LEFT HEIGHT AND ANGLE ADJUSTABLE BACK POST FOR "T" ARMREST
B	1	PH-05643	PUSH HANDLE WITH COVER- STRAIGHT BACK POST 12" TO 15"
	1	PH-05644	PUSH HANDLE WITH COVER- STRAIGHT BACK POST 16" TO 20"
	1	PH-05645	PUSH HANDLE WITH COVER- STRAIGHT BACK POST 21" TO 25"
	1	PH-05646	PUSH HANDLE WITH COVER – 8° BACK POST 16" TO 20"
	1	PH-05647	PUSH HANDLE WITH COVER – 8° BACK POST 21" TO 26"

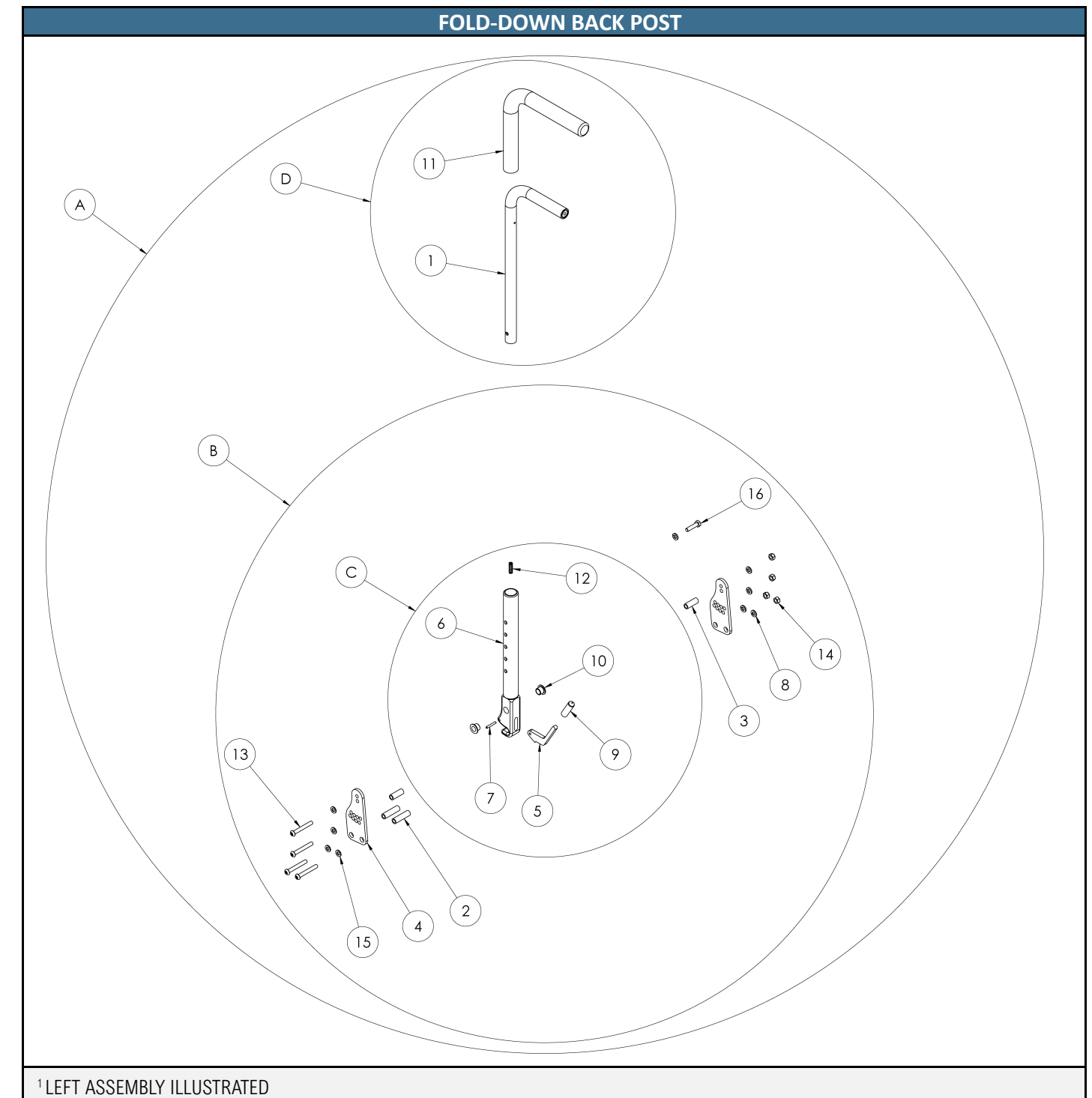
NO.	QTY	DRAWING NO.	DESCRIPTION
1	1	PH-00902	ANCHOR PLATE
2	1	PH-00904	STEM CANE'S RECEPTACLE TUBE
3	2	PH-00912	SLEEVE Ø 3/8 X 1 3/8"
4	1	PH-00908	RIGHT Ø3/4 CANE 12" TO 15"
	1	PH-00915	RIGHT Ø3/4 CANE 16-20
	1	PH-00917	RIGHT Ø3/4 CANE 21-25
	1	PH-00919	Ø3/4 CANE 8° 16-20
	1	PH-00913	Ø3/4 CANE 8° 21-25
5	1	PH-03173	RIGHT ANCHOR ROBUST PLATE
	1	PH-03174	LEFT ACHOR ROBUST PLATE
6	5	ST-01640	LOCK WASHER ZI Ø1/4
7	1	ST-03686	BLACK SOFT TEXTURE VINYL GRIPS Ø3/4X12
8	2	ST-50122	BUTTON HEAD CAP SCREW SS M6X1.0X45
9	4	ST-50284	LOCK NUT ZI M6X1.0
10	2	ST-50552	FLAT HEAD CAP SCREWS SS M6X1.0X45
11	2	ST-51066	FLAT WASHER SS M6
12	1	ST-51958	HEXAGONAL HEAD CAP SCREW SS M6X10X25



FOLD-DOWN BACK POST

NO.	QTY	DRAWING NO.	DESCRIPTION
A	1	09-00005	RIGHT FOLDING CANE
	1	09-00010	LEFT FOLDING CANE
	1	09-00006	RIGHT 8° FOLDING CANE
	1	09-00011	LEFT 8° FOLDING CANE
B	1	09-00041	FOLDING POST ASSEMBLY
C	1	PH-04600	FOLDING POST MECHANISM ASSEMBLY
D	1	PH-05643	PUSH HANDLE WITH COVER- STRAIGHT BACK POST 12" TO 15"
	1	PH-05644	PUSH HANDLE WITH COVER- STRAIGHT BACK POST 16" TO 20"
	1	PH-05645	PUSH HANDLE WITH COVER- STRAIGHT BACK POST 21" TO 25"
	1	PH-05646	PUSH HANDLE WITH COVER – 8° BACK POST 16" TO 20"
	1	PH-05647	PUSH HANDLE WITH COVER – 8° BACK POST 21" TO 26"

NO.	QTY	DRAWING NO.	DESCRIPTION
1	1	PH-00908	RIGHT Ø3/4 CANE 12" TO 15"
	1	PH-00915	RIGHT Ø3/4 CANE 16-20
	1	PH-00917	RIGHT Ø3/4 CANE 21-25
	1	PH-00919	Ø3/4 CANE 8° 16-20
	1	PH-00913	Ø3/4 CANE 8° 21-25
2	2	PH-00912	SLEEVE Ø 3/8 X 1 3/8"
3	2	PH-02078E	BACKREST DYNAMIC BUSHING
4	2	PH-04602	FOLDING POST BRACKET
5	1	PH-04634	FOLDING POST HOOK
6	1	PH-04637	FOLDING POST BASE
7	1	ST-01210	DOWEL PIN SS Ø1/8X7/8
8	5	ST-01640	LOCK WASHER ZI Ø1/4
9	1	ST-02703	ROUND GRIP Ø0.312X1-1/2 - BLACK HIGH GLOSS FINISH
10	2	ST-03165	IGLIDE FLANGE BEARING Ø3/8
11	1	ST-03686	BLACK SOFT TEXTURE VINYL GRIPS Ø3/4X12
12	1	ST-03726	COMPRESSION SPRINGS Ø0.24X0.813X0.042
13	4	ST-50122	BUTTON HEAD CAP SCREW SS M6X1.0X45
14	4	ST-50284	LOCK NUT ZI M6X1.0
15	4	ST-51066	FLAT WASHER SS M6
16	1	ST-51958	HEXAGONAL HEAD CAP SCREW SS M6X10X25

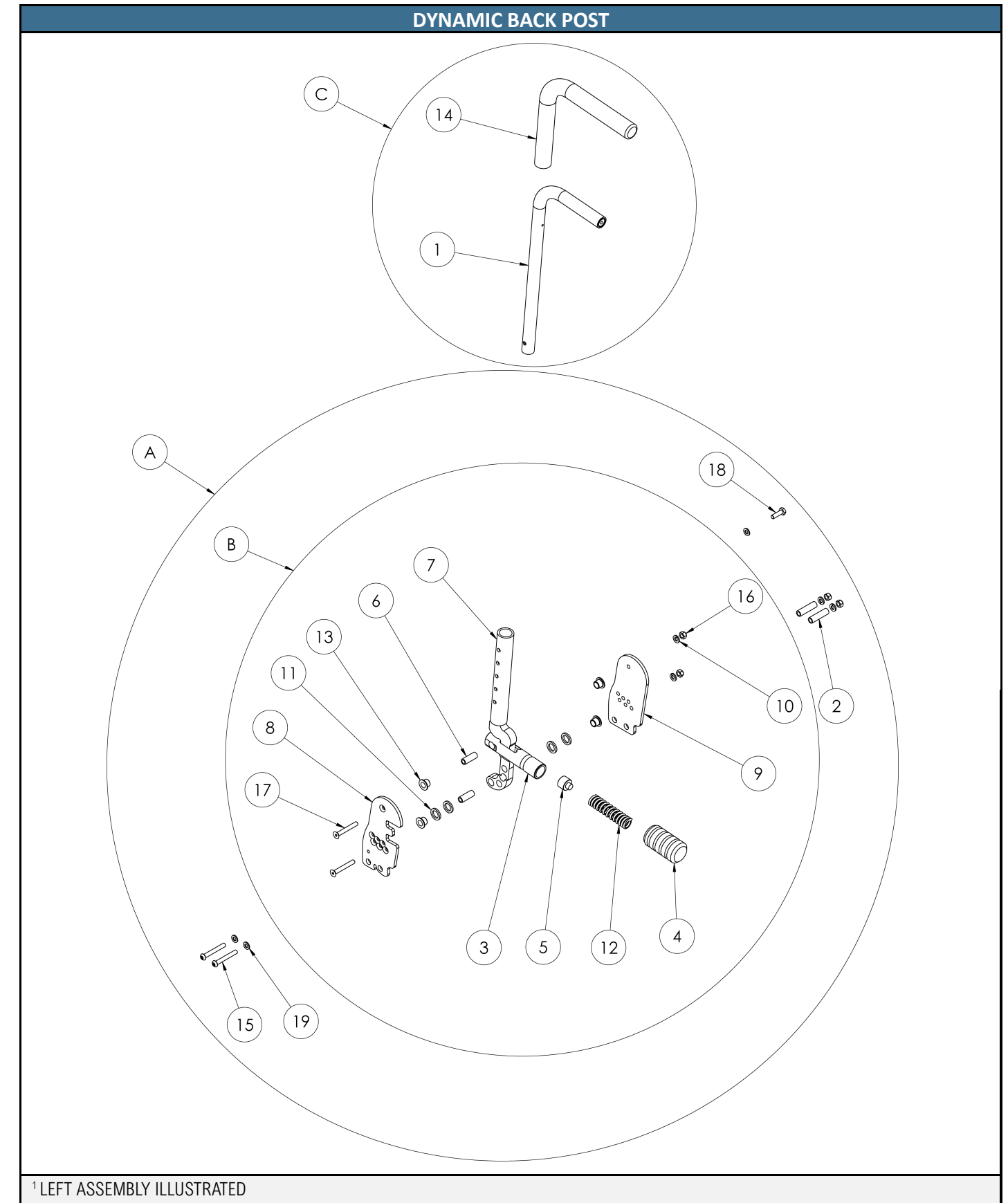


¹ LEFT ASSEMBLY ILLUSTRATED

DYNAMIC BACK POST

NO.	QTY	DRAWING NO.	DESCRIPTION
A	1	09-00019	RIGHT BACK POST SUPPORT DYNAMIC
	1	09-00020	LEFT BACK POST SUPPORT DYNAMIC
B	1	PH-02173	BACKREST DYNAMIC LEFT
	1	PH-02173DR	BACKREST DYNAMIC RIGHT
C	1	PH-05643	PUSH HANDLE WITH COVER- STRAIGHT BACK POST 12" TO 15"
	1	PH-05644	PUSH HANDLE WITH COVER- STRAIGHT BACK POST 16" TO 20"
	1	PH-05645	PUSH HANDLE WITH COVER- STRAIGHT BACK POST 21" TO 25"
	1	PH-05646	PUSH HANDLE WITH COVER – 8° BACK POST 16" TO 20"
	1	PH-05647	PUSH HANDLE WITH COVER – 8° BACK POST 21" TO 26"

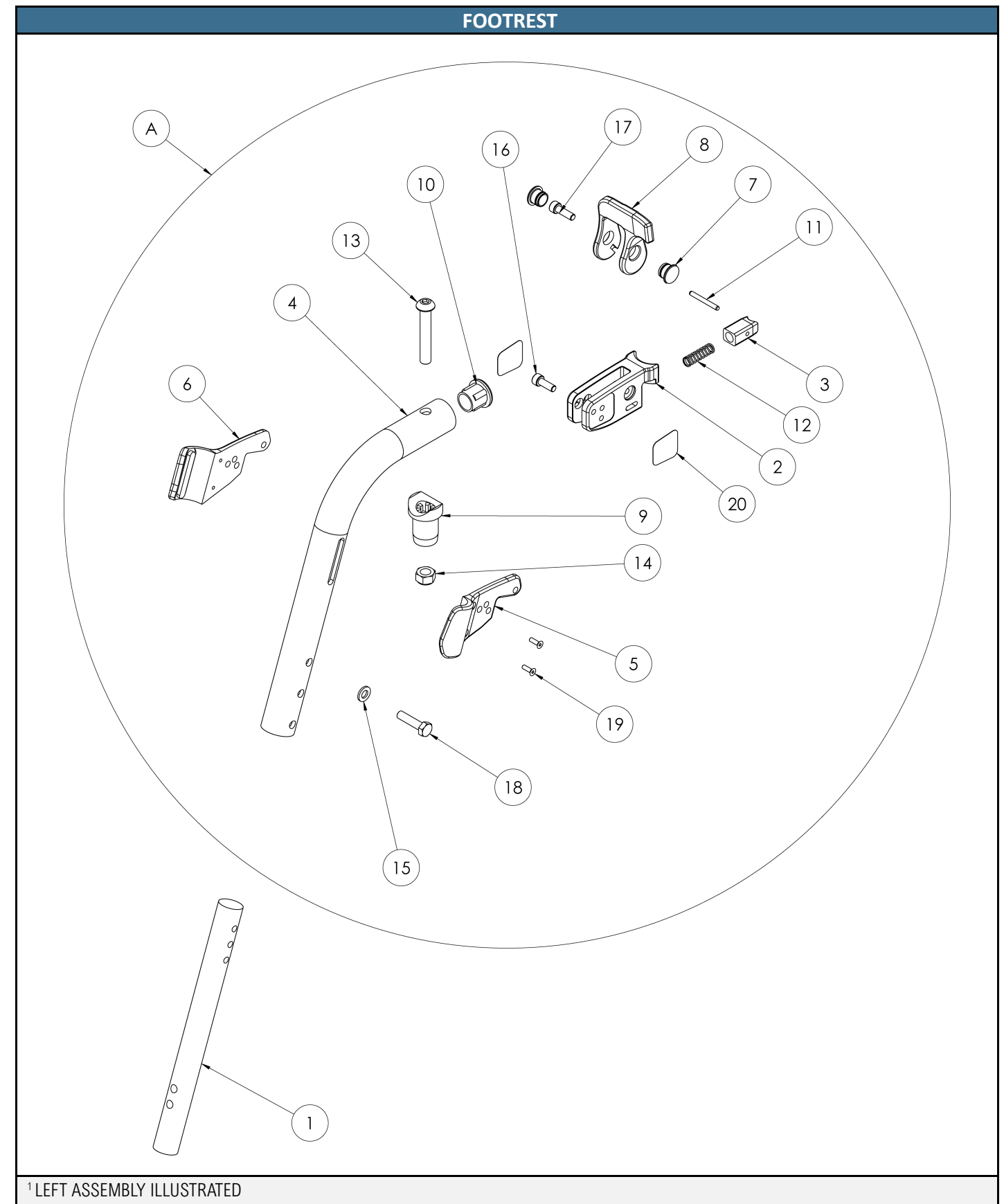
NO.	QTY	DRAWING NO.	DESCRIPTION
1	1	PH-00908	RIGHT Ø3/4 CANE 12" TO 15"
	1	PH-00915	RIGHT Ø3/4 CANE 16-20
	1	PH-00917	RIGHT Ø3/4 CANE 21-25
	1	PH-00919	Ø3/4 CANE 8° 16-20
	1	PH-00913	Ø3/4 CANE 8° 21-25
2	2	PH-00912	SLEEVE Ø 3/8 X 1 3/8"
3	1	PH-02070A	TUBE
4	1	PH-02078C	HANDLE
5	1	PH-02078D	BUTTON
6	2	PH-02078E	BACKREST DYNAMIC BUSHING
	1	PH-02078DR	RIGHT DYNAMIC BACK ARM
7	1	PH-02078GA	LEFT DYNAMIC BACK ARM
8	1	PH-02078A	RIGHT DYNAMIC STRONG PLATE
	1	PH-02078H	LEFT DYNAMIC STRONG PLATE
9	1	PH-02078W	INSIDE DYNAMIC BACK PLATE
10	4	ST-01640	LOCK WASHER ZI Ø1/4
11	4	ST-03071	FLAT WASHER NYLON Ø1/2
12	1	ST-03127	COMPRESSION SPRING Ø3/4X3X0.125
13	4	ST-03165	IGLIDE FLANGE BEARING Ø3/8
14	1	ST-03686	BLACK SOFT TEXTURE VINYL GRIPS Ø3/4X12
15	2	ST-50122	BUTTON HEAD CAP SCREW SS M6X1.0X45
16	4	ST-50284	LOCK NUT ZI M6X1.0
17	2	ST-50552	FLAT HEAD CAP SCREWS SS M6X1.0X45
18	1	ST-50919	HEXAGONAL HEAD CAP SCREW SS M6X1.0X20
19	3	ST-51066	FLAT WASHER SS M6



FOOTREST

NO.	QTY	DRAWING NO.	DESCRIPTION
A	1	PH-05648-L-NOIR_LUSTRE	LEFT FOOTREST 60° - GLOSSY BLACK
	1	PH-05648-R-NOIR_LUSTRE	RIGHT FOOTREST 60° - GLOSSY BLACK
	1	PH-05649-L-NOIR_LUSTRE	LEFT FOOTREST 70° - GLOSSY BLACK
	1	PH-05649-R-NOIR_LUSTRE	RIGHT FOOTREST 70° - GLOSSY BLACK
	1	PH-05650-L-NOIR_LUSTRE	LEFT FOOTREST 90° - GLOSSY BLACK
	1	PH-05650-R-NOIR_LUSTRE	RIGHT FOOTREST 90° - GLOSSY BLACK

NO.	QTY	DRAWING NO.	DESCRIPTION
1	1	PH-00765	FOOTREST EXTENSION ROD 5.625"
	1	PH-05275	FOOTREST EXTENDED ROD 7.875"
	1	PH-00763	FOOTREST EXTENSION ROD 9.875"
	1	PH-02160	FOOTREST EXTENSION ROD 14"
2	1	PH-05460	FOOTREST FIXATION BLOCK
3	1	PH-05461	FOOTREST PLUNGER
4	1	PH-05462	FOOTREST TUBING 60°
	1	PH-05463	FOOTREST TUBING 70°
	1	PH-05464	FOOTREST TUBING 90°
5	1	PH-05465-L	FOOTREST LEFT TELESCOPIC ARM
6	1	PH-05465-R	FOOTREST RIGHT TELESCOPIC ARM
7	2	PH-05466	FOOTREST LEVER PIVOT
8	1	PH-05469-L	FOOTREST LEFT LEVER
	1	PH-05469-R	FOOTREST RIGHT LEVER
9	1	ST-02498	PLASTIC PIVOT
10	1	ST-02570	PLASTIC CAP Ø7/8" / 18 GA. TUBE
11	1	ST-03790	DOWEL PIN SS Ø1/8X1-1/8
12	1	ST-03791	COMPRESSION SPRING Ø0.3X1X0.035
13	1	ST-50173	BUTTON HEAD CAP SCREW SS M8X1.25X50
14	1	ST-50285	LOCK NUT ZI M8X1.25
15	1	ST-51066	FLAT WASHER SS M6
16	1	ST-51405	SOCKET HEAD CAP SCREW SS M5X0.8X14
17	1	ST-51406	SOCKET HEAD CAP SCREW SS M5X0.8X16
18	1	ST-51958	HEXAGONAL HEAD CAP SCREW SS M6X10X25
19	2	ST-52885	FLAT HEAD CAP SCREW PHILLIPS M3X0.5X10
20	2	1QUFOU228	FOOTREST LABEL

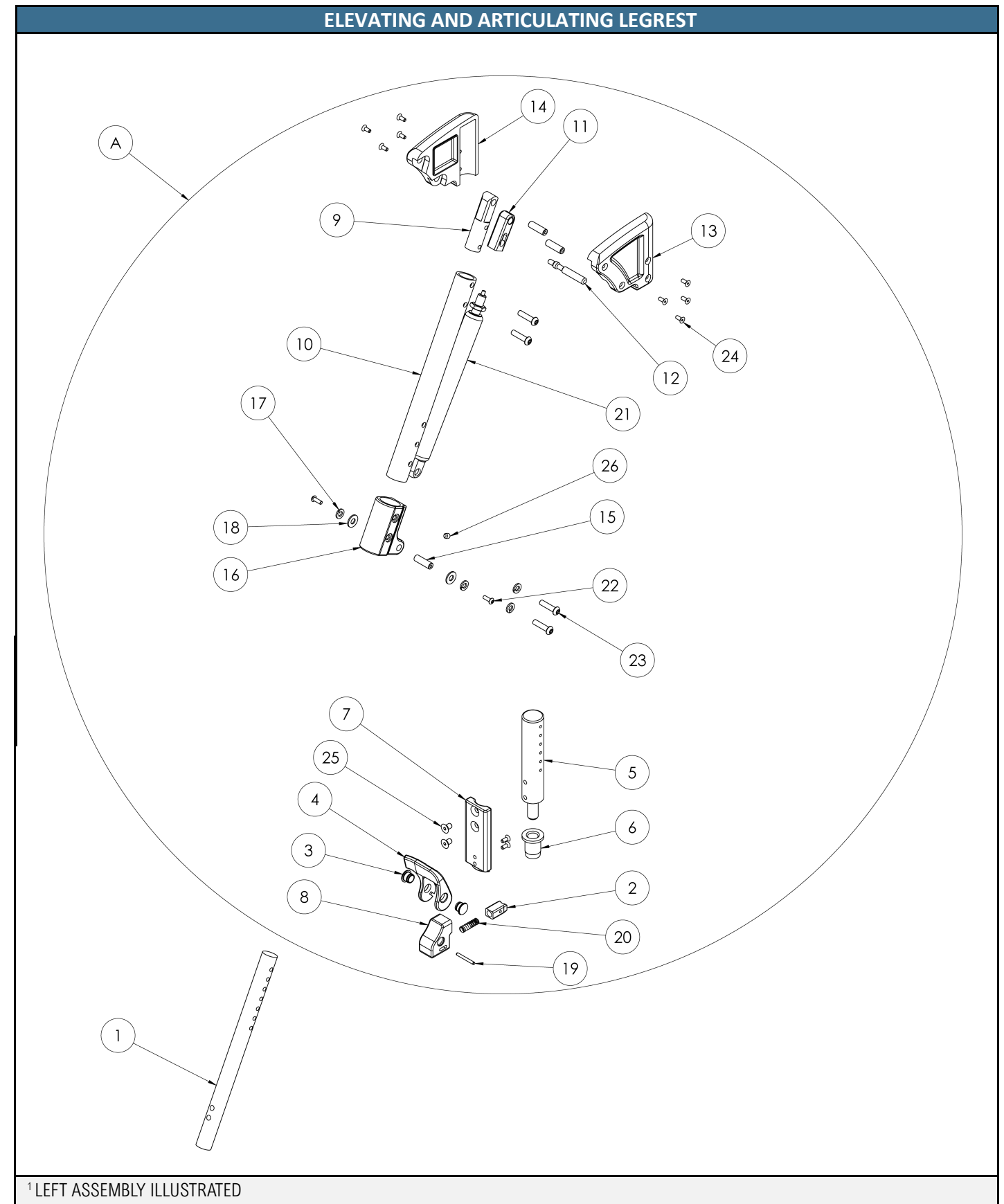


¹ LEFT ASSEMBLY ILLUSTRATED

ELEVATING AND ARTICULATING LEGREST

NO.	QTY	DRAWING NO.	DESCRIPTION
A	1	PH-05540-L	LEFT ELEVATING AND COMPENSATING LEGREST LOCK SYSTEM
	1	PH-05540-R	RIGHT ELEVATING AND COMPENSATING LEGREST LOCK SYSTEM

NO.	QTY	DRAWING NO.	DESCRIPTION
1	1	PH-00765	FOOTREST EXTENSION ROD 5.625"
	1	PH-05275	FOOTREST EXTENDED ROD 7.875"
	1	PH-00763	FOOTREST EXTENSION ROD 9.875"
2	1	PH-05461	FOOTREST PLUNGER
3	2	PH-05466	FOOTREST LEVER PIVOT
4	1	PH-05469-L	FOOTREST LEFT LEVER
	1	PH-05469-R	FOOTREST RIGHT LEVER
5	1	PH-05535	ELEVATING LEGREST PIVOT
6	1	PH-05536	ELEVATING LEGREST PIVOT CONNECTOR
7	1	PH-05537	FIXATION PLATE OF BLOCK AND PIVOT
8	1	PH-05539	LEGREST FIXATION BLOCK
9	1	PH-05541	ADJUSTABLE LEGREST TUVE PIVOT
10	1	PH-05542	ADJUSTABLE LEGREST TUBE
11	1	PH-05543	CYLINDER ROD END
12	1	PH-05544	CYLINDER LEVER
13	1	PH-05545-L	LEFT ELEVATING LEGREST AND CYLINDER HANGER BRACKET
14	1	PH-05545-R	RIGHT ELEVATING LEGREST AND CYLINDER HANGER BRACKET
15	3	PH-05546	THREADED SLEEVE
16	1	PH-05547	TUBE AND CYLINDER ATTACHMENT BLOCK
17	4	ST-01640	LOCK WASHER ZI Ø1/4
18	2	ST-01719	FLAT WASHER SS Ø1/4
19	1	ST-03790	DOWEL PIN SS Ø1/8X1-1/8
20	1	ST-03791	COMPRESSION SPRING Ø0.3X1X0.035
21	1	ST-03792	BLOCKING CYLINDER BANSBACH K0A1PV2-060-266—002
22	2	ST-50035	BUTTON HEAD CAP SCREW SS M4X0.7X12
23	4	ST-50118	BUTTON HEAD CAP SCREW SS M6X1.0X25
24	10	ST-50413	FLAT HEAD CAP SCREW BO M4X0.7X10
25	2	ST-50546	FLAT HEAD CAP SCREW SS M6X1.0X16
26	1	ST-52131	SET SCREW CUP POINT SS M6X1.0X6

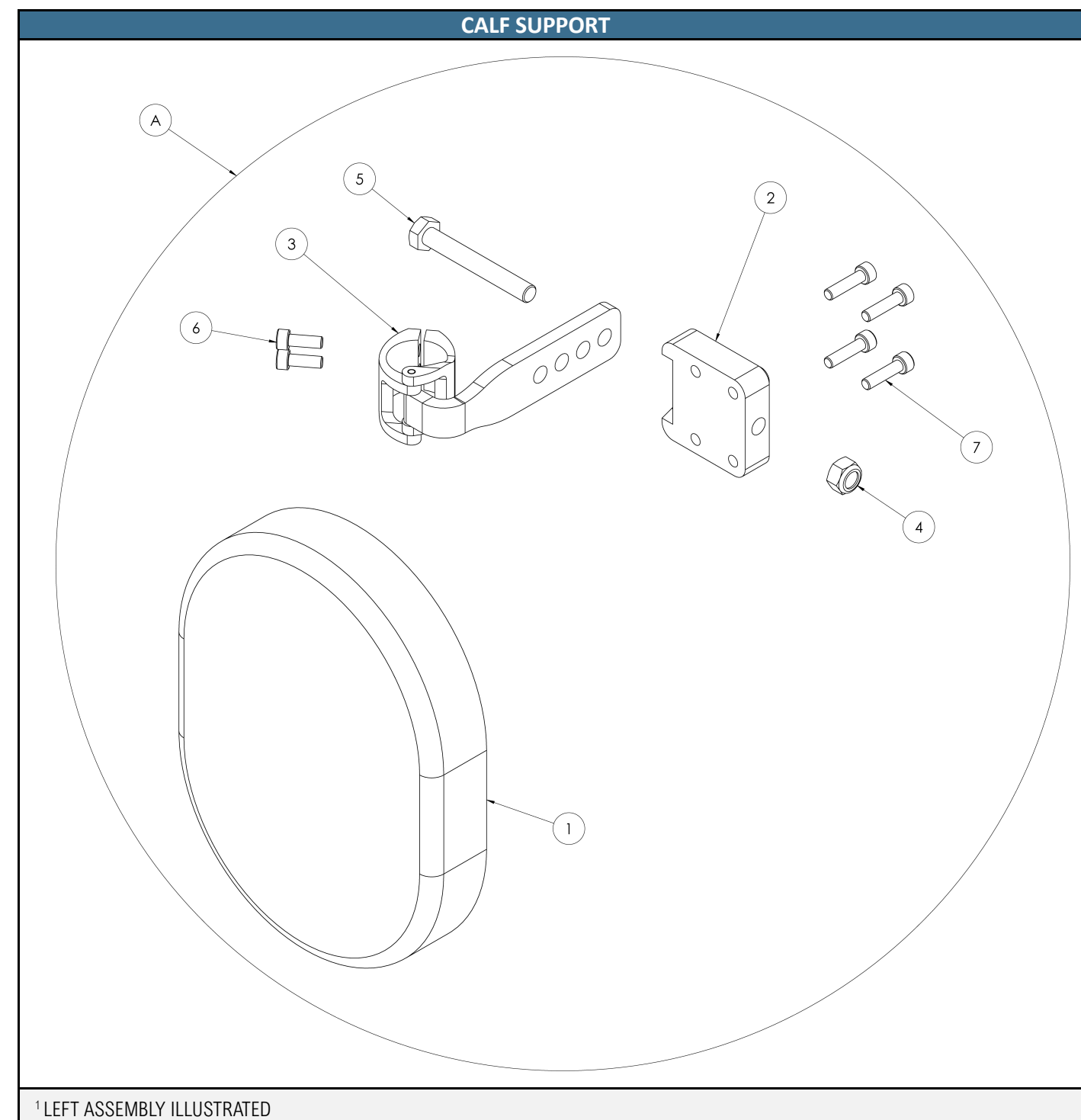


¹ LEFT ASSEMBLY ILLUSTRATED

CALF SUPPORT

NO.	QTY	DRAWING NO.	DESCRIPTION
A	1	NX18	CALF SUPPORT STANDARD
	1	NX20	CALF SUPPORT PADDED STANDARD

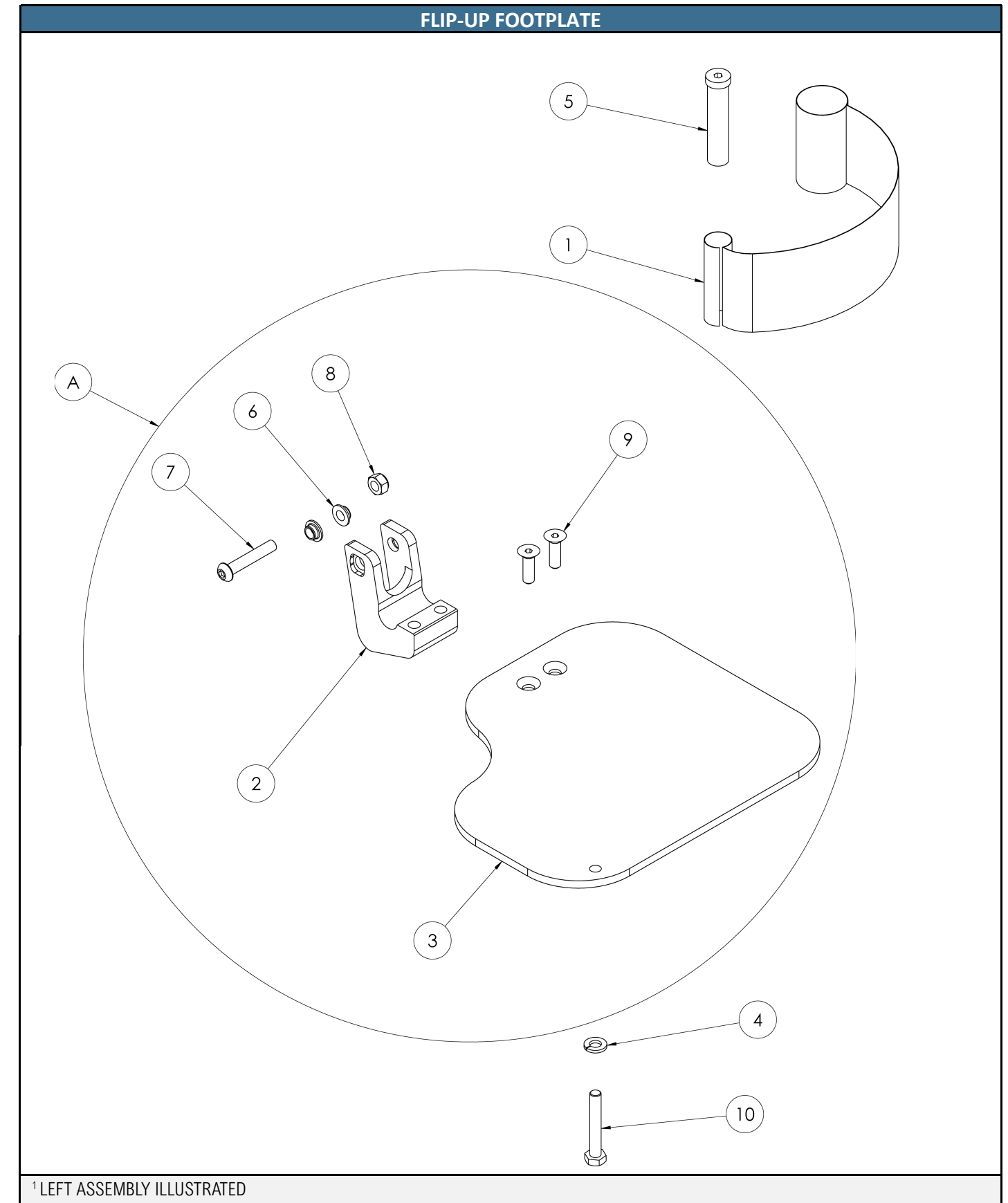
NO.	QTY	DRAWING NO.	DESCRIPTION
1	1	MI7464	PROFIED CUSHION ADJUSTABLE CALF SUPPORT WITH COVER
	1	MI7465	FLAT CUSHION ADJUSTABLE CALF SUPPORT WITH COVER
2	1	PH-00793	PIVOT BLOCK
3	1	PH-02161	CALF SUPPORT CLIP
4	1	ST-50285	LOCK NUT ZI M8X1.25
5	1	ST-50957	HEXAGONAL HEAD CAP SCREW SS M8X1.25X60
6	2	ST-51405	SOCKET HEAD CAP SCREW SS M5X0.8X14
7	4	ST-51407	SOCKET HEAD CAP SCREW SS M5X0.8X18



FLIP-UP FOOTPLATE

NO.	QTY	DRAWING NO.	DESCRIPTION
A	1	PH-05057L	LEFT FOLDING FOOTPLATE 6" X 8"
	1	PH-05057R	RIGHT FOLDING FOOTPLATE 6" X 8"
	1	PH-05268L	LEFT FOLDING FOOTPLATE 7" X 8"
	1	PH-05268R	RIGHT FOLDING FOOTPLATE 7" X 8"
	1	PH-05662-L	LEFT OVERSIZE FOLDING FOOTPLATE 6" X 9"
	1	PH-05662-R	RIGHT OVERSIZE FOLDING FOOTPLATE 6" X 9"
	1	PH-05663-L	LEFT OVERSIZE FOLDING FOOTPLATE 6" X 10"
	1	PH-05663-R	RIGHT OVERSIZE FOLDING FOOTPLATE 6" X 10"
	1	PH-05664-L	LEFT OVERSIZE FOLDING FOOTPLATE 7" X 9"
	1	PH-05664-R	RIGHT OVERSIZE FOLDING FOOTPLATE 7" X 9"
	1	PH-05665-L	LEFT OVERSIZE FOLDING FOOTPLATE 7" X 10"
	1	PH-05665-R	RIGHT OVERSIZE FOLDING FOOTPLATE 7" X 10"

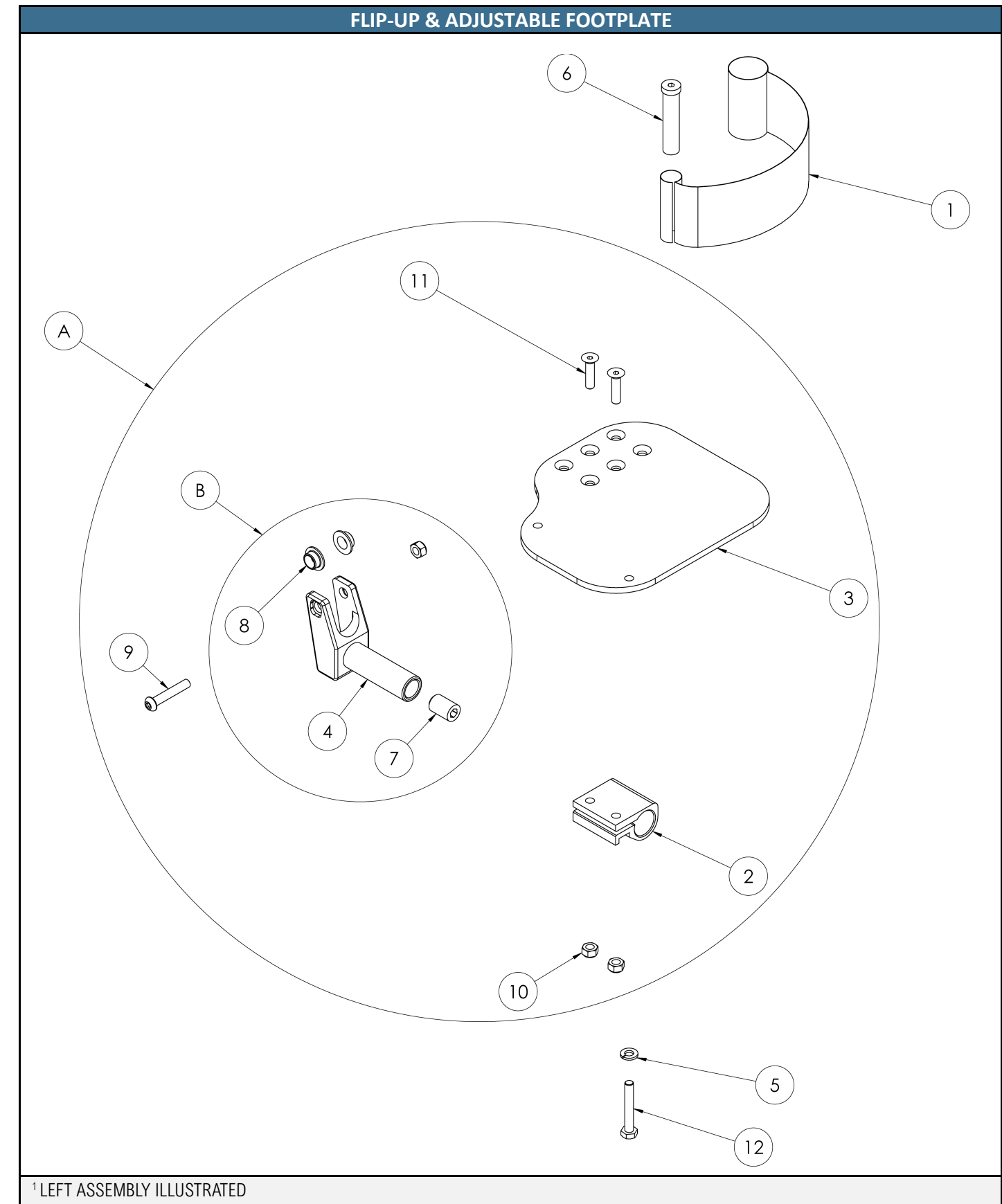
NO.	QTY	DRAWING NO.	DESCRIPTION
1	1	PH-00632	HEEL LOOP
2	1	PH-05055	FOOTPLATE BRACKET
3	1	PH-05054-L	LEFT STANDARD FOOTPLATE 6" X 8"
	1	PH-05054-R	RIGHT STANDARD FOOTPLATE 6" X 8"
	1	PH-05266-L	LEFT STANDARD FOOTPLATE 7" X 8"
	1	PH-05266-R	RIGHT STANDARD FOOTPLATE 7" X 8"
	1	PH-05658-L	LEFT OVERSIZE FOOTPLATE 6" X 9"
	1	PH-05658-R	RIGHT OVERSIZE FOOTPLATE 6" X 10"
	1	PH-05659-L	LEFT OVERSIZE FOOTPLATE 6" X 10"
	1	PH-05659-R	RIGHT OVERSIZE FOOTPLATE 7" X 9"
	1	PH-05660-L	LEFT OVERSIZE FOOTPLATE 7" X 9"
	1	PH-05660-R	RIGHT OVERSIZE FOOTPLATE 7" X 9"
1	PH-05661-L	LEFT OVERSIZE FOOTPLATE 7" X 10"	
1	PH-05661-R	RIGHT OVERSIZE FOOTPLATE 7" X 10"	
4	1	ST-01640	LOCK WASHER ZI Ø1/4
5	2	ST-02539	HEEL SUPPORT STUD
6	1	ST-03748	SLEEVE BEARING WITH FLANGE M6
7	1	ST-50120	BUTTON HEAD CAP SCREW SS M6X1.0X35
8	1	ST-50284	LOCK NUT ZI M6X1.0
9	2	ST-50547	FLAT HEAD CAP SCREW SS M6X1.0X20
10	1	ST-50922	HEXAGONAL HEAD CAP SCREW SS M6X1.0X40



¹ LEFT ASSEMBLY ILLUSTRATED

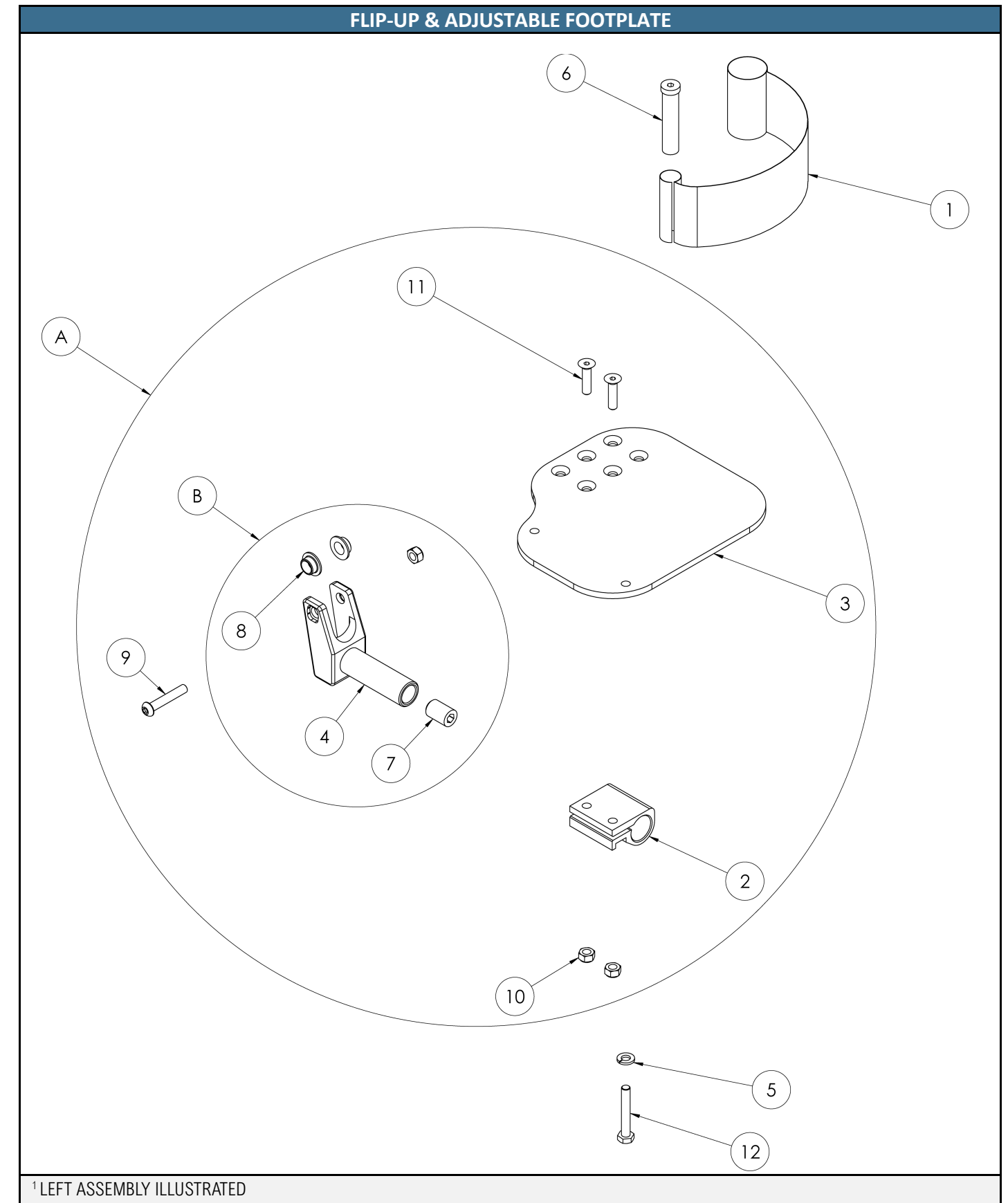
FLIP-UP & ADJUSTABLE FOOTPLATE

NO.	QTY	DRAWING NO.	DESCRIPTION
A	1	11-00011	RIGHT ANGLE AND DEPTH ADJUSTABLE FOOTREST PLATE 6" X 6 3/4"
	1	11-00012	LEFT ANGLE & DEPTH ADJUSTABLE FOOTREST PLATE 6" X 6 3/4"
	1	11-00045-L	LEFT ANGLE AND DEPTH ADJUSTABLE FOOTREST PLATE 5" X 6 3/4"
	1	11-00045-R	RIGHT ANGLE AND DEPTH ADJUSTABLE FOOTREST PLATE 5" X 6 3/4"
	1	11-00046-L	LEFT OVERSIZED ANGLE AND DEPTH ADJUSTABLE FOOTREST PLATE 5" X 9"
	1	11-00046-R	RIGHT OVERSIZED ANGLE AND DEPTH ADJUSTABLE FOOTREST PLATE 5" X 9"
	1	11-00047-L	LEFT OVERSIZED ANGLE AND DEPTH ADJUSTABLE FOOTREST PLATE 5" X 10"
	1	11-00047-R	RIGHT OVERSIZED ANGLE AND DEPTH ADJUSTABLE FOOTREST PLATE 5" X 10"
	1	11-00048-L	LEFT OVERSIZED ANGLE AND DEPTH ADJUSTABLE FOOTREST PLATE 6" X 9"
	1	11-00048-R	RIGHT OVERSIZED ANGLE AND DEPTH ADJUSTABLE FOOTREST PLATE 6" X 9"
	1	11-00049-L	LEFT OVERSIZED ANGLE AND DEPTH ADJUSTABLE FOOTREST PLATE 6" X 10
	1	11-00049-R	RIGHT OVERSIZED ANGLE AND DEPTH ADJUSTABLE FOOTREST PLATE 6" X 10"
	1	11-00050-L	LEFT OVERSIZED ANGLE AND DEPTH ADJUSTABLE FOOTREST PLATE 7" X 9"
	1	11-00050-R	RIGHT OVERSIZED ANGLE AND DEPTH ADJUSTABLE FOOTREST PLATE 7" X 9"
	1	11-00029	RIGHT OVERSIZED ANGLE AND DEPTH ADJUSTABLE FOOTREST PLATE 7" X 10"
1	11-00030	LEFT OVERSIZED ANGLE AND DEPTH ADJUSTABLE FOOTREST PLATE 7" X 10"	
1	11-00052-L	LEFT OVERSIZED ANGLE AND DEPTH ADJUSTABLE FOOTREST PLATE 8" X 9"	
1	11-00052-R	RIGHT OVERSIZED ANGLE AND DEPTH ADJUSTABLE FOOTREST PLATE 8" X 9"	
1	11-00051-L	LEFT OVERSIZED ANGLE AND DEPTH ADJUSTABLE FOOTREST PLATE 8" X 10"	
1	11-00051-R	RIGHT OVERSIZED ANGLE AND DEPTH ADJUSTABLE FOOTREST PLATE 8" X 10"	
B	1	PH-05173	KNUCKLE AMBIDEXTROUS ASSEMBLY



FLIP-UP & ADJUSTABLE FOOTPLATE

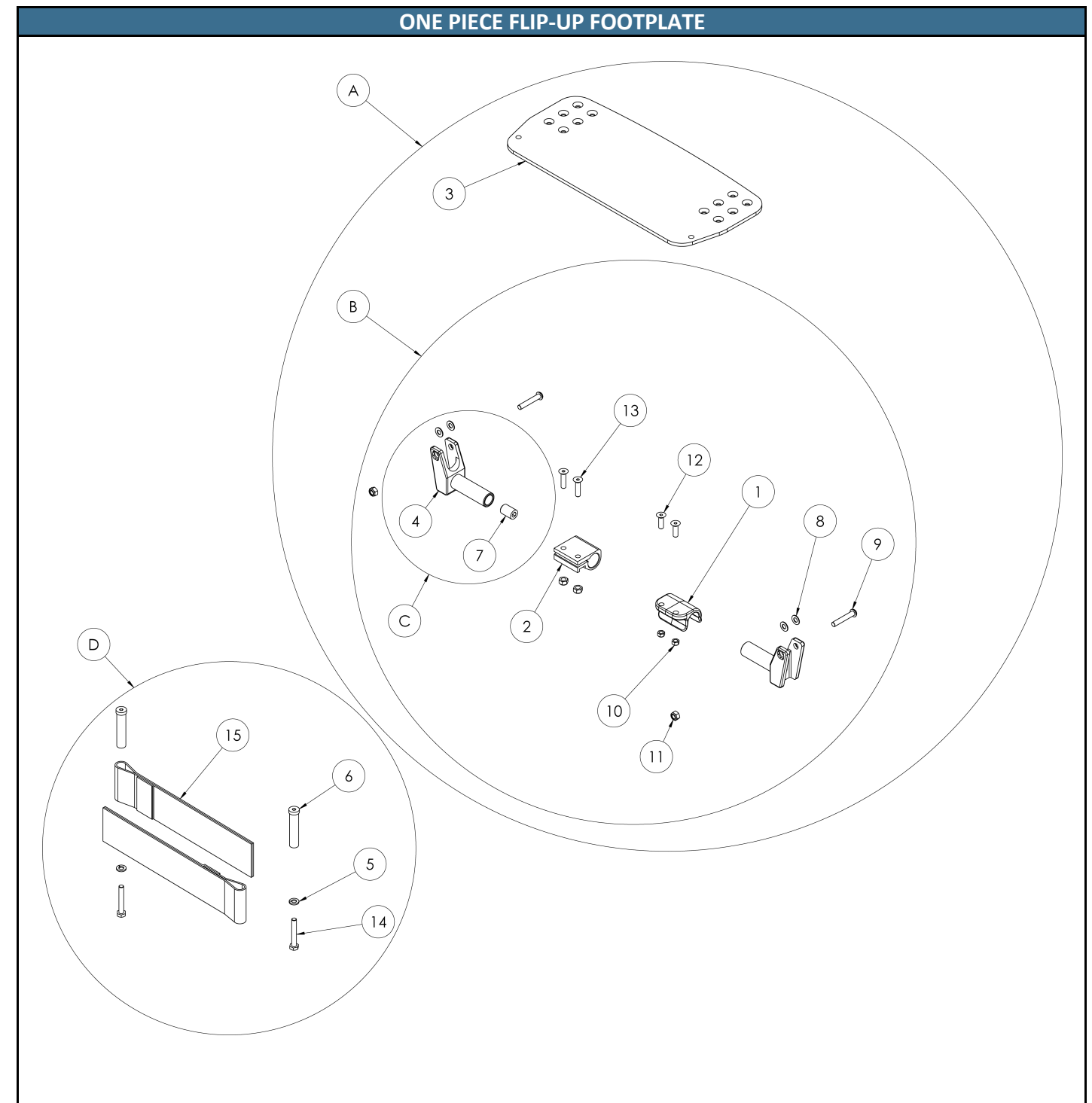
NO.	QTY	DRAWING NO.	DESCRIPTION
1	1	PH-00632	HEEL LOOP
2	1	PH-03660	FOOTREST PIVOT BLOCK
3	1	PH-03811DR	RIGHT STANDARD FOOTPLATE 5" X 6 3/4"
	1	PH-03811GA	LEFT STANDARD FOOTPLATE 5" X 6 3/4"
	1	PH-04134DR	RIGHT OVERSIZE FOOTPLATE 5" X 9"
	1	PH-04134GA	LEFT OVERSIZE FOOTPLATE 5" X 9"
	1	PH-04135DR	RIGHT OVERSIZE FOOTPLATE 5" X 10"
	1	PH-04135GA	LEFT OVERSIZE FOOTPLATE 5" X 10"
	1	PH-03688DR	RIGHT STANDARD FOOTPLATE 6" X 6 3/4"
	1	PH-03688GA	LEFT STANDARD FOOTPLATE 6" X 6 3/4"
	1	PH-03689DR	RIGHT OVERSIZE FOOTPLATE 6" X 9"
	1	PH-03689GA	LEFT OVERSIZE FOOTPLATE 6" X 9"
	1	PH-03690DR	RIGHT OVERSIZE FOOTPLATE 6" X 10"
	1	PH-03690GA	LEFT OVERSIZE FOOTPLATE 6" X 10"
	1	PH-03691DR	RIGHT OVERSIZE FOOTPLATE 7" X 9"
	1	PH-03691GA	LEFT OVERSIZE FOOTPLATE 7" X 9"
	1	PH-03692DR	RIGHT OVERSIZE FOOTPLATE 7" X 10"
	1	PH-03692GA	LEFT OVERSIZE FOOTPLATE 7" X 10"
1	PH-03693DR	RIGHT OVERSIZE FOOTPLATE 8" X 9"	
1	PH-03693GA	LEFT OVERSIZE FOOTPLATE 8" X 9"	
1	PH-03694DR	RIGHT OVERSIZE FOOTPLATE 8" X 10"	
1	PH-03694GA	LEFT OVERSIZE FOOTPLATE 8" X 10"	
4	1	PH-05196	FOOTREST JOINT
5	1	ST-01640	LOCK WASHER ZI Ø1/4
6	1	ST-02539	HEEL SUPPORT STUD
7	1	ST-02656	SET SCREW NYLON Ø1/2-13 X 3/4
8	2	ST-03765	SLEEVE BEARING WITH FLANGE 3/8X1/4
9	1	ST-50120	BUTTON HEAD CAP SCREW SS M6X1.0X35
10	3	ST-50284	LOCK NUT ZI M6X1.0
11	2	ST-50548	FLAT HEAD CAP SCREW SS M6X1.0X25
12	1	ST-50922	HEXAGONAL HEAD CAP SCREW SS M6X1.0X40



¹ LEFT ASSEMBLY ILLUSTRATED

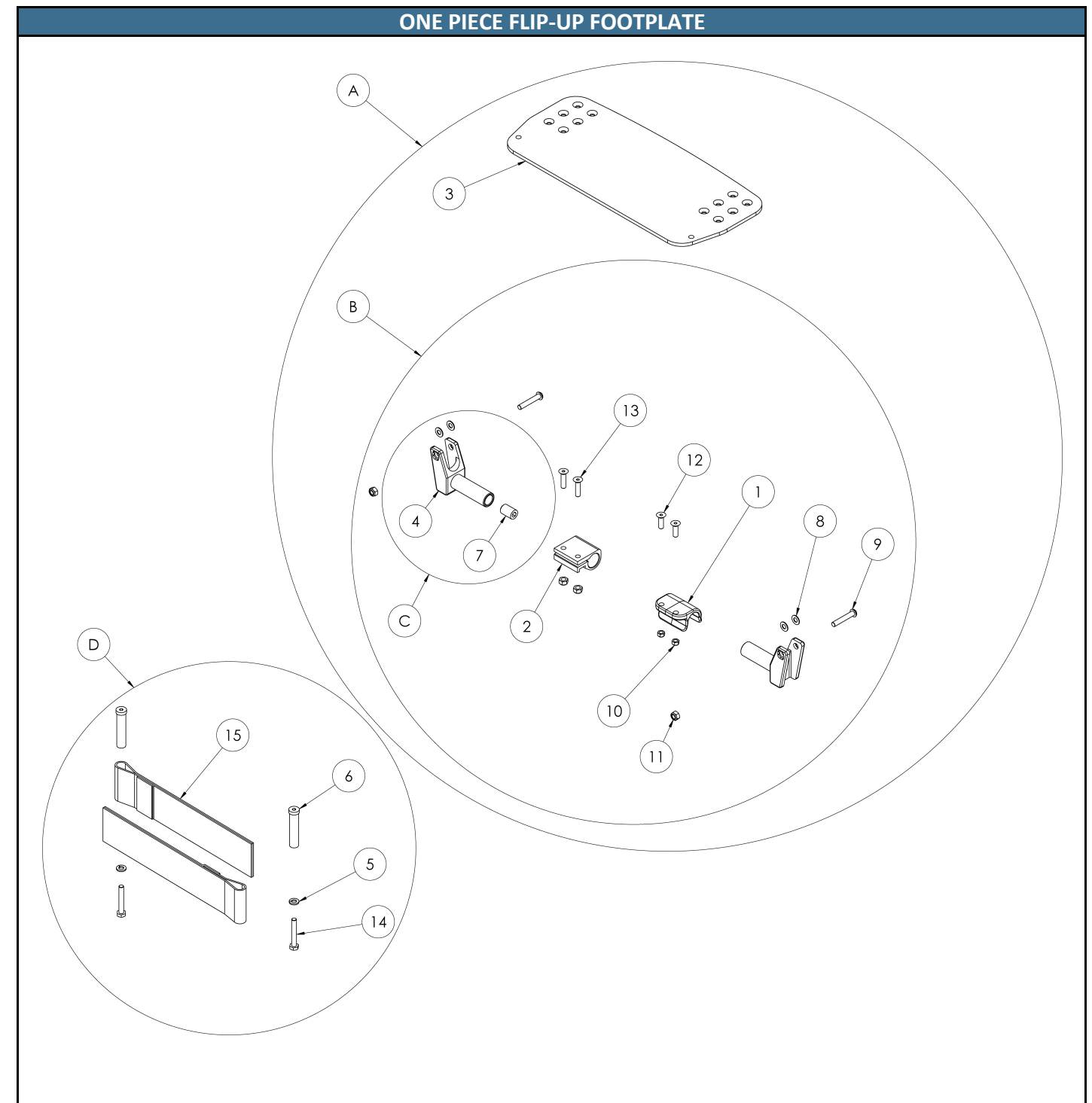
ONE PIECE FLIP-UP FOOTPLATE

NO.	QTY	DRAWING NO.	DESCRIPTION
A	1	PH-FW06-14	14" X 6" ONE PIECE FOOTPLATE
	1	PH-FW06-15	15" X 6" ONE PIECE FOOTPLATE
	1	PH-FW06-16	16" X 6" ONE PIECE FOOTPLATE
	1	PH-FW06-17	17" X 6" ONE PIECE FOOTPLATE
	1	PH-FW06-18	18" X 6" ONE PIECE FOOTPLATE
	1	PH-FW06-19	19" X 6" ONE PIECE FOOTPLATE
	1	PH-FW06-20	20" X 6" ONE PIECE FOOTPLATE
	1	PH-FW06-21	21" X 6" ONE PIECE FOOTPLATE
	1	PH-FW06-22	22" X 6" ONE PIECE FOOTPLATE
	1	PH-FW06-23	23" X 6" ONE PIECE FOOTPLATE
	1	PH-FW06-24	24" X 6" ONE PIECE FOOTPLATE
	1	PH-FW06-25	25" X 6" ONE PIECE FOOTPLATE
	1	PH-FW06-26	26" X 6" ONE PIECE FOOTPLATE
	1	PH-FW08-14	14" X 8" ONE PIECE FOOTPLATE
	1	PH-FW08-15	15" X 8" ONE PIECE FOOTPLATE
	1	PH-FW08-16	16" X 8" ONE PIECE FOOTPLATE
	1	PH-FW08-17	17" X 8" ONE PIECE FOOTPLATE
	1	PH-FW08-18	18" X 8" ONE PIECE FOOTPLATE
	1	PH-FW08-19	19" X 8" ONE PIECE FOOTPLATE
	1	PH-FW08-20	20" X 8" ONE PIECE FOOTPLATE
	1	PH-FW08-21	21" X 8" ONE PIECE FOOTPLATE
	1	PH-FW08-22	22" X 8" ONE PIECE FOOTPLATE
	1	PH-FW08-23	23" X 8" ONE PIECE FOOTPLATE
	1	PH-FW08-24	24" X 8" ONE PIECE FOOTPLATE
	1	PH-FW08-25	25" X 8" ONE PIECE FOOTPLATE
	1	PH-FW08-26	26" X 8" ONE PIECE FOOTPLATE
	1	PH-FW10-14	14" X 10" ONE PIECE FOOTPLATE
	1	PH-FW10-15	15" X 10" ONE PIECE FOOTPLATE
	1	PH-FW10-16	16" X 10" ONE PIECE FOOTPLATE
	1	PH-FW10-17	17" X 10" ONE PIECE FOOTPLATE
	1	PH-FW10-18	18" X 10" ONE PIECE FOOTPLATE
	1	PH-FW10-19	19" X 10" ONE PIECE FOOTPLATE
	1	PH-FW10-20	20" X 10" ONE PIECE FOOTPLATE
	1	PH-FW10-21	21" X 10" ONE PIECE FOOTPLATE
	1	PH-FW10-22	22" X 10" ONE PIECE FOOTPLATE
	1	PH-FW10-23	23" X 10" ONE PIECE FOOTPLATE
	1	PH-FW10-24	24" X 10" ONE PIECE FOOTPLATE
	1	PH-FW10-25	25" X 10" ONE PIECE FOOTPLATE
	1	PH-FW10-26	26" X 10" ONE PIECE FOOTPLATE
B	1	11-00044	FULL WIDTH FOOTPLATE'S SUPPORT NEOX
C	2	PH-05173	KNUCKLE AMBIDEXTROUS ASSEMBLY
D	1	11-00040	HEELSTRAP FOR FULL WIDTH FOOTPLATE 10" TO 13"
	1	11-00041	HEELSTRAP FOR FULL WIDTH FOOTPLATE 14" TO 17"
	1	11-00042	HEELSTRAP FOR FULL WIDTH FOOTPLATE 18" TO 21"
	1	11-00043	HEELSTRAP FOR FULL WIDTH FOOTPLATE 22" TO 26"



ONE PIECE FLIP-UP FOOTPLATE

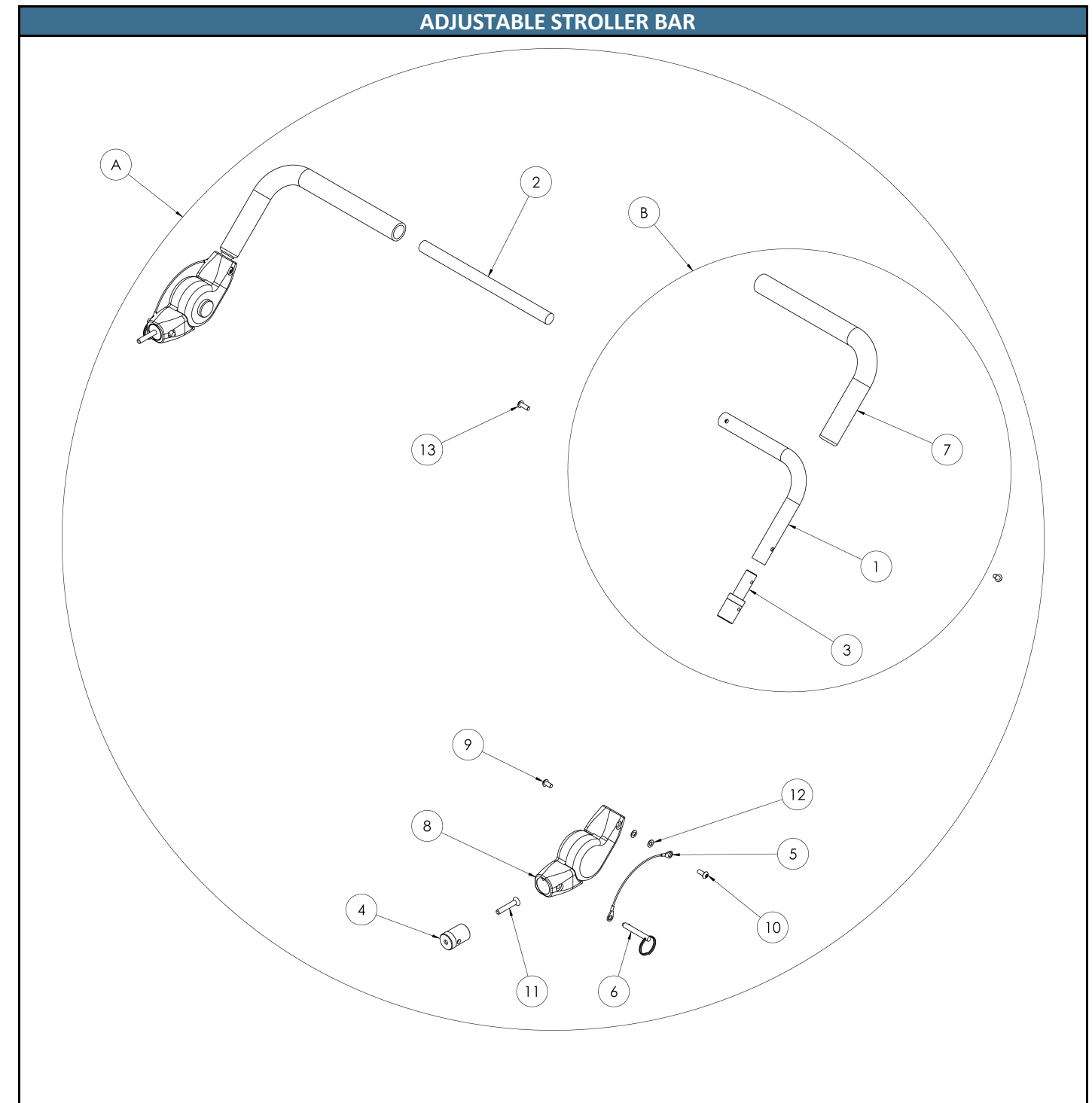
NO.	QTY	DRAWING NO.	DESCRIPTION
1	1	PH-02505	RIGHT BLOCK
2	1	PH-03660	FOOTREST PIVOT BLOCK
3	1	PH-05132-C10	FOOTPLATE FULL WIDTH 10" AND 11" DEPTH 6"
	1	PH-05132-C12	FOOTPLATE FULL WIDTH 12" AND 13" DEPTH 6"
	1	PH-05132-C14	FOOTPLATE FULL WIDTH 14" AND 15" DEPTH 6"
	1	PH-05132-C16	FOOTPLATE FULL WIDTH 16" AND 17" DEPTH 6"
	1	PH-05132-C18	FOOTPLATE FULL WIDTH 18" AND 19" DEPTH 6"
	1	PH-05132-C20	FOOTPLATE FULL WIDTH 20" AND 21" DEPTH 6"
	1	PH-05132-C22	FOOTPLATE FULL WIDTH 22" AND 23" DEPTH 6"
	1	PH-05132-C24	FOOTPLATE FULL WIDTH 24" AND 25" DEPTH 6"
	1	PH-05132-C26	FOOTPLATE FULL WIDTH 26" AND 27" DEPTH 6"
	1	PH-05133-C10	FOOTPLATE FULL WIDTH 10" AND 11" DEPTH 8"
	1	PH-05133-C12	FOOTPLATE FULL WIDTH 12" AND 13" DEPTH 8"
	1	PH-05133-C14	FOOTPLATE FULL WIDTH 14" AND 15" DEPTH 8"
	1	PH-05133-C16	FOOTPLATE FULL WIDTH 16" AND 17" DEPTH 8"
	1	PH-05133-C18	FOOTPLATE FULL WIDTH 18" AND 19" DEPTH 8"
	1	PH-05133-C20	FOOTPLATE FULL WIDTH 20" AND 21" DEPTH 8"
	1	PH-05133-C22	FOOTPLATE FULL WIDTH 22" AND 23" DEPTH 8"
	1	PH-05133-C24	FOOTPLATE FULL WIDTH 24" AND 25" DEPTH 8"
	1	PH-05133-C26	FOOTPLATE FULL WIDTH 26" AND 27" DEPTH 8"
	1	PH-05145-C10	FOOTPLATE FULL WIDTH 10" AND 11" DEPTH 10"
	1	PH-05145-C12	FOOTPLATE FULL WIDTH 12" AND 13" DEPTH 10"
	1	PH-05145-C14	FOOTPLATE FULL WIDTH 14" AND 15" DEPTH 10"
	1	PH-05145-C16	FOOTPLATE FULL WIDTH 16" AND 17" DEPTH 10"
	1	PH-05145-C18	FOOTPLATE FULL WIDTH 18" AND 19" DEPTH 10"
	1	PH-05145-C20	FOOTPLATE FULL WIDTH 20" AND 21" DEPTH 10"
	1	PH-05145-C22	FOOTPLATE FULL WIDTH 22" AND 23" DEPTH 10"
	1	PH-05145-C24	FOOTPLATE FULL WIDTH 24" AND 25" DEPTH 10"
1	PH-05145-C26	FOOTPLATE FULL WIDTH 26" AND 27" DEPTH 10"	
4	2	PH-05196	FOOTREST JOINT
5	2	ST-01640	LOCK WASHER ZI Ø1/4
6	2	ST-02539	HEEL SUPPORT STUD
7	2	ST-02656	SET SCREW NYLON Ø1/2-13 X 3/4
8	4	ST-03020	PLASTIC FLAT WASHER Ø1/4
9	2	ST-50120	BUTTON HEAD CAP SCREW SS M6X1.0X35
10	2	ST-50283	LOCK NUT ZI M5X0.8
11	4	ST-50284	LOCK NUT ZI M6X1.0
12	2	ST-50547	FLAT HEAD CAP SCREW SS M6X1.0X20
13	2	ST-50548	FLAT HEAD CAP SCREW SS M6X1.0X25
14	2	ST-50922	HEXAGONAL HEAD CAP SCREW SS M6X1.0X40
15	1	TI-00200	WEBBING FOR FULL WIDTH FOOTPLATE 10" TO 13"
	1	TI-00201	WEBBING FOR FULL WIDTH FOOTPLATE 14" TO 17"
	1	TI-00202	WEBBING FOR FULL WIDTH FOOTPLATE 18" TO 21"
	1	TI-00203	WEBBING FOR FULL WIDTH FOOTPLATE 22" TO 26"



ADJUSTABLE STROLLER BAR

NO.	QTY	DRAWING NO.	DESCRIPTION
A	1	13-00020	ADJUSTABLE STROLLER HANDLE
B	1	PH-05295	PRE-ASSEMBLY STROLLER BAR HANDLE 14" TO 17"
	1	PH-05296	PRE-ASSEMBLY STROLLER BAR HANDLE 18" TO 26"
	1	PH-05297	PRE-ASSEMBLY STROLLER BAR HANDLE 12" TO 15"

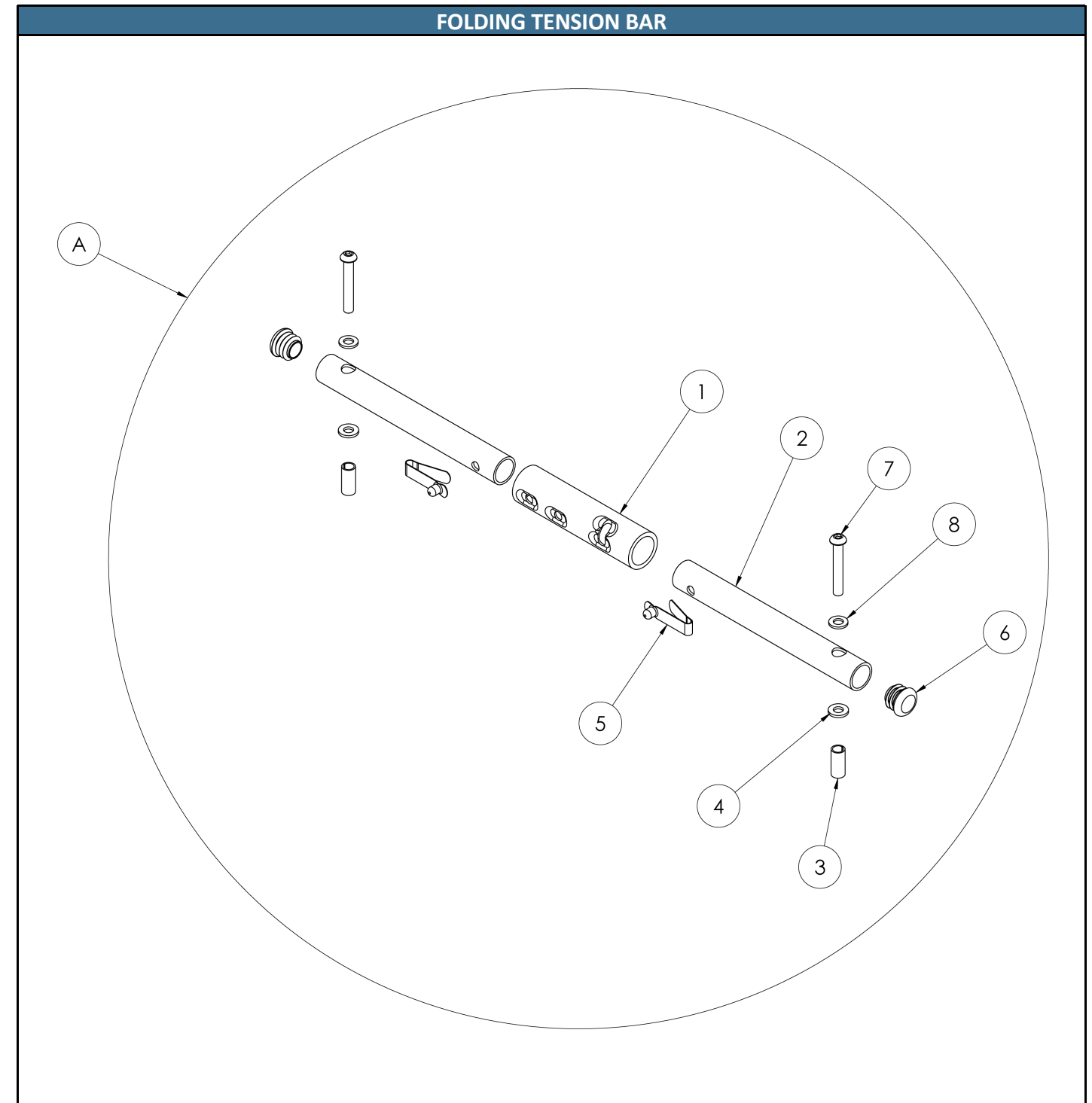
NO.	QTY	DRAWING NO.	DESCRIPTION
1	2	PH-02473	STROLLER BAR HANDLE 14" TO 17"
	2	PH-02481	STROLLER BAR HANDLE 18"- 20"
	2	PH-05298	STROLLER BAR HANDLE 12" TO 15"
2	1	PH-02474	JUNCTION ROD 14" TO 20"
3	2	PH-04982	CANE ADAPTOR 3/4"
4	2	PH-04984	REMOVABLE CANE ADAPTOR 3/4"
5	2	ST-00072	GALVANIZED STEEL WIRE ROPE LANYARD
6	2	ST-02562	QUICK RELEASE PIN Ø1/4X1.3
7	2	ST-03686	BLACK SOFT TEXTURE VINYL GRIPS Ø3/4X12
8	2	ST-03740	PUSHER BUTTON ANGLE ADJUSTMENT
9	4	ST-50057	BUTTON HEAD CAP SCREW SS M5X0.8X10
10	2	ST-50058	BUTTON HEAD CAP SCREW SS M5X0.8X12
11	2	ST-50550	FLAT HEAD CAP SCREW SSM6X1.0X35
12	4	ST-51065	FLAT WASHER SS M5
13	2	ST-51997	BUTTON HEAD CAP SCREW SS M5X0.8X14



FOLDING TENSION BAR

NO.	QTY	DRAWING NO.	DESCRIPTION
A	1	D3897	TENSION BAR FOR 12" AND 13" WIDTH
	1	D3895	TENSION BAR FOR 14" AND 15" WIDTH
	1	D3900	TENSION BAR FOR 16" AND 17" WIDTH
	1	D3905	TENSION BAR FOR 18" AND 19" WIDTH
	1	D3910	TENSION BAR FOR 20" AND 21" WIDTH
	1	D3915	TENSION BAR FOR 22" AND 23" WIDTH
	1	D3916	TENSION BAR FOR 23" AND 24" WIDTH
	1	D3917	TENSION BAR FOR 24" AND 25" WIDTH
1	D3918	TENSION BAR FOR 25" AND 26" WIDTH	

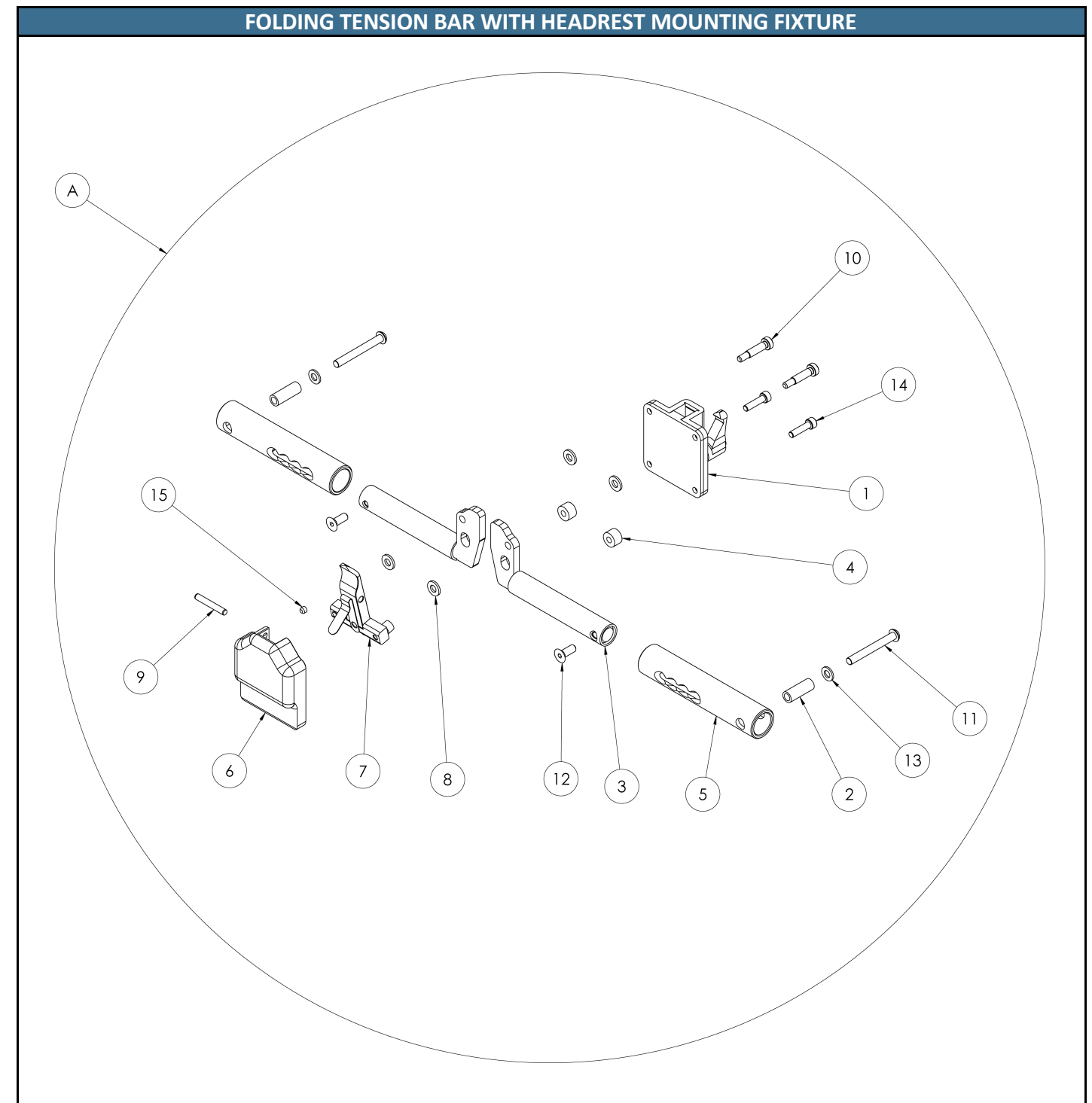
NO.	QTY	DRAWING NO.	DESCRIPTION
1	1	PH-00328	CENTRAL SHORT TUBE
	1	PH-02550	CENTRAL LONG TUBE
	1	PH-05405	CENTRAL LONG TUBE
2	2	PH-03051	TENSION BAR TUBE 13"
	2	PH-00336	TENSION BAR TUBE 15"
	2	PH-00330	TENSION BAR TUBE 17"
	2	PH-00337	TENSION BAR TUBE 19"
	2	PH-00338	TENSION BAR TUBE 21"
	2	PH-02548	TENSION BAR TUBE 23"
	2	PH-05849	TUBE TENSION BAR 24"
	2	PH-05850	TUBE TENSION BAR 25"
	2	PH-05851	TUBE TENSION BAR 26"
3	2	ST-02573	SPACER Ø1/4X3/4
4	2	ST-02575	PLASTIC FLAT WASHER Ø1/4
5	2	ST-02617	SNAP BUTTON B-SINGLE TYPE
6	2	ST-02623	PLASTIC CAP Ø3/4
7	2	ST-50121	BUTTON HEAD CAP SCREW SS M6X1.0X40
8	2	ST-51066	FLAT WASHER SS M6



FOLDING TENSION BAR WITH HEADREST MOUNTING FIXTURE

NO.	QTY	DRAWING NO.	DESCRIPTION
A	1	21-00006	FOLDING TENSION BAR 12" TO 15"
	1	21-00007	FOLDING TENSION BAR 15" TO 18"
	1	21-00008	FOLDING TENSION BAR 18" TO 22"
	1	21-00009	FOLDING TENSION BAR 23" AND 24"

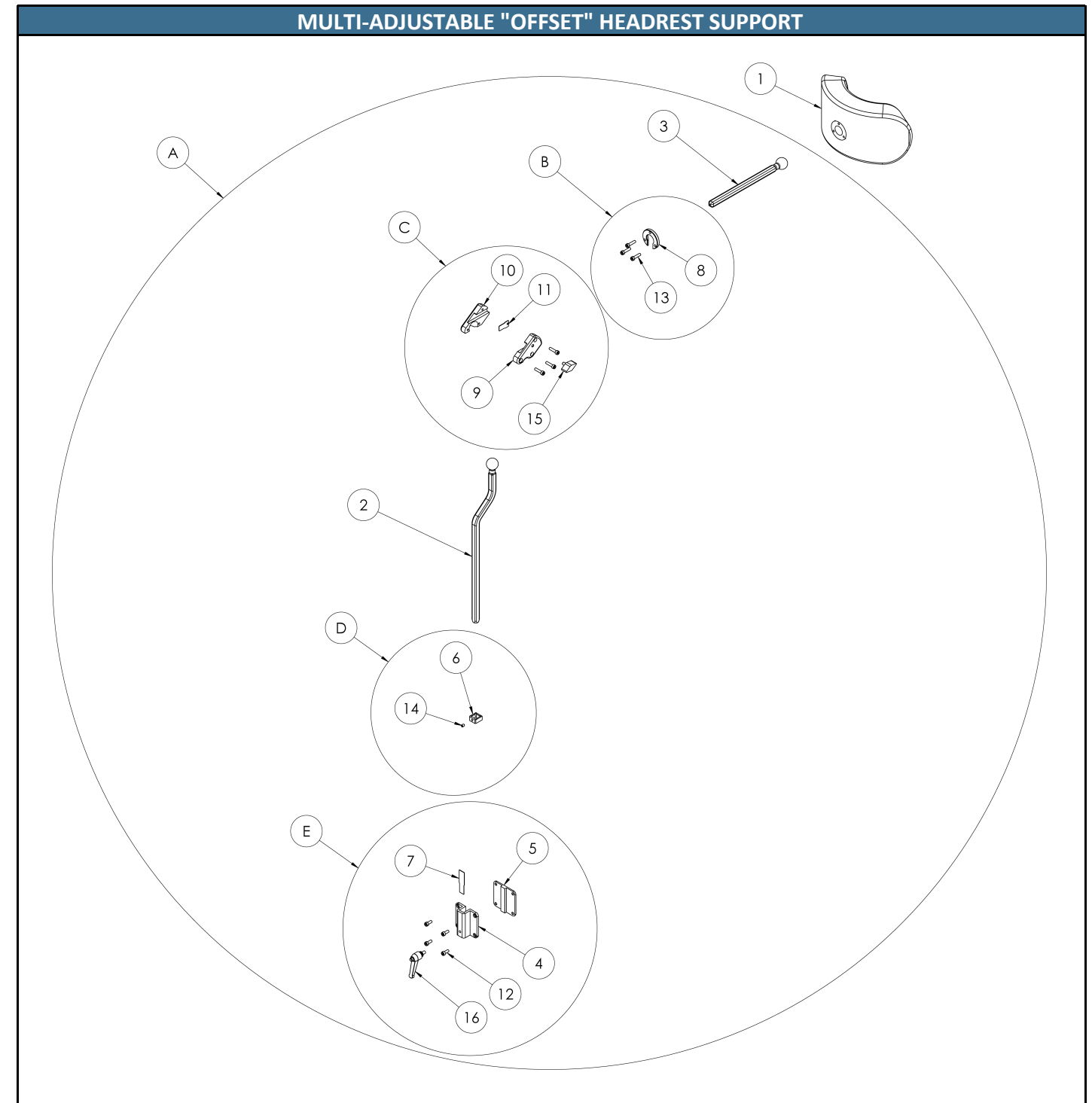
NO.	QTY	DRAWING NO.	DESCRIPTION
1	1	AT5160	HEADREST SUPPORT FIXTURE MULTIADJUSTABLE
2	2	PH-02078E	BACKREST DYNAMIC BUSHING
3	2	PH-03939	PIVOT ASSEMBLY, FOLDABLE TENSION BAR
4	2	PH-03940	SPACER
5	2	PH-03941	EXTENSION 12" TO 15"
	2	PH-03942	EXTENSION 15" TO 18"
	2	PH-03943	EXTENSION 18" TO 22"
	2	PH-05232	EXTENSION 23" AND 24"
6	1	PH-03944	PROTECTIVE CASING
7	1	PH-03947	LATCH ASSEMBLY
8	4	ST-02575	PLASTIC FLAT WASHER Ø1/4
9	1	ST-03691	DOWELL PIN SS Ø3/16 X1-1/4
10	2	ST-03692	SHOULDER BOLT CAP SCREW BO M6X20 X M5X0.8
11	2	ST-50123	BUTTON HEAD CAP SCREW SS M6X1.0X50
12	2	ST-50546	FLAT HEAD CAP SCREW SS M6X1.0X16
13	2	ST-51066	FLAT WASHER SS M6
14	2	ST-51408	SOCKET HEAD CAP SCREW SS M5X0.8X20
15	1	ST-51703	SET SCREW CUP POINT SS M5X0.8X6



MULTI-ADJUSTABLE "OFFSET" HEADREST SUPPORT

NO.	QTY	DRAWING NO.	DESCRIPTION
A	1	AT5120	MULTI-ADJUSTABLE OFFSET HEADREST SUPPORT
B	1	AT5210	HEADREST ANCHORING RING
C	1	AT5205	MULTI-ADJUSTABLE HEADREST SUPPORT MECHANISM
D	1	AT5230	LOCKING RING FOR HEADREST SUPPORT
E	1	AT5160	HEADREST SUPPORT FIXTURE MULTIADJUSTABLE

NO.	QTY	DRAWING NO.	DESCRIPTION
1	1	AT5000	SINGLE HEADREST #1 - 7" X 4"
	1	AT5005	SINGLE HEADREST #2 - 8" X 5"
	1	AT5010	SINGLE HEADREST #3 - 9" X 6"
	1	AT5715	SINGLE HEADREST #4 - 12" X 7"
	1	AT5720	SINGLE HEADREST #5 - 14" X 7"
2	1	AT5121	HEADREST ROD SUPPORT
3	1	AT5240	HEADREST SUPPORT STEM ROD
4	1	PH-00156	FIXATION ADAPTOR
5	1	PH-00157	FIXATION LOCK PLATE
6	1	PH-00159	LOCK 1/2"
7	1	PH-00160-LZ	SHIM LZ
8	1	PH-00197	HEADREST ANCHORING RING
9	1	PH-02849	HEADREST BRACKET (UNTHREADED SIDE)
10	1	PH-02850	HEADREST BRACKET (THREADED SIDE)
11	1	PH-03057-LZ	FRICTION PLATE LZ
12	4	ST-51404	SOCKET HEAD CAP SCREW SS M5X0.8X12
13	6	ST-51408	SOCKET HEAD CAP SCREW SS M5X0.8X20
14	1	ST-51707	SET SCREW CUP POINT SS M5X0.8X6
15	1	ST-52134	ELESA HANDLE M6X1.0X10
16	1	VR9938	RATCHET ADJUSTMENT HANDLE M6X1.0X10



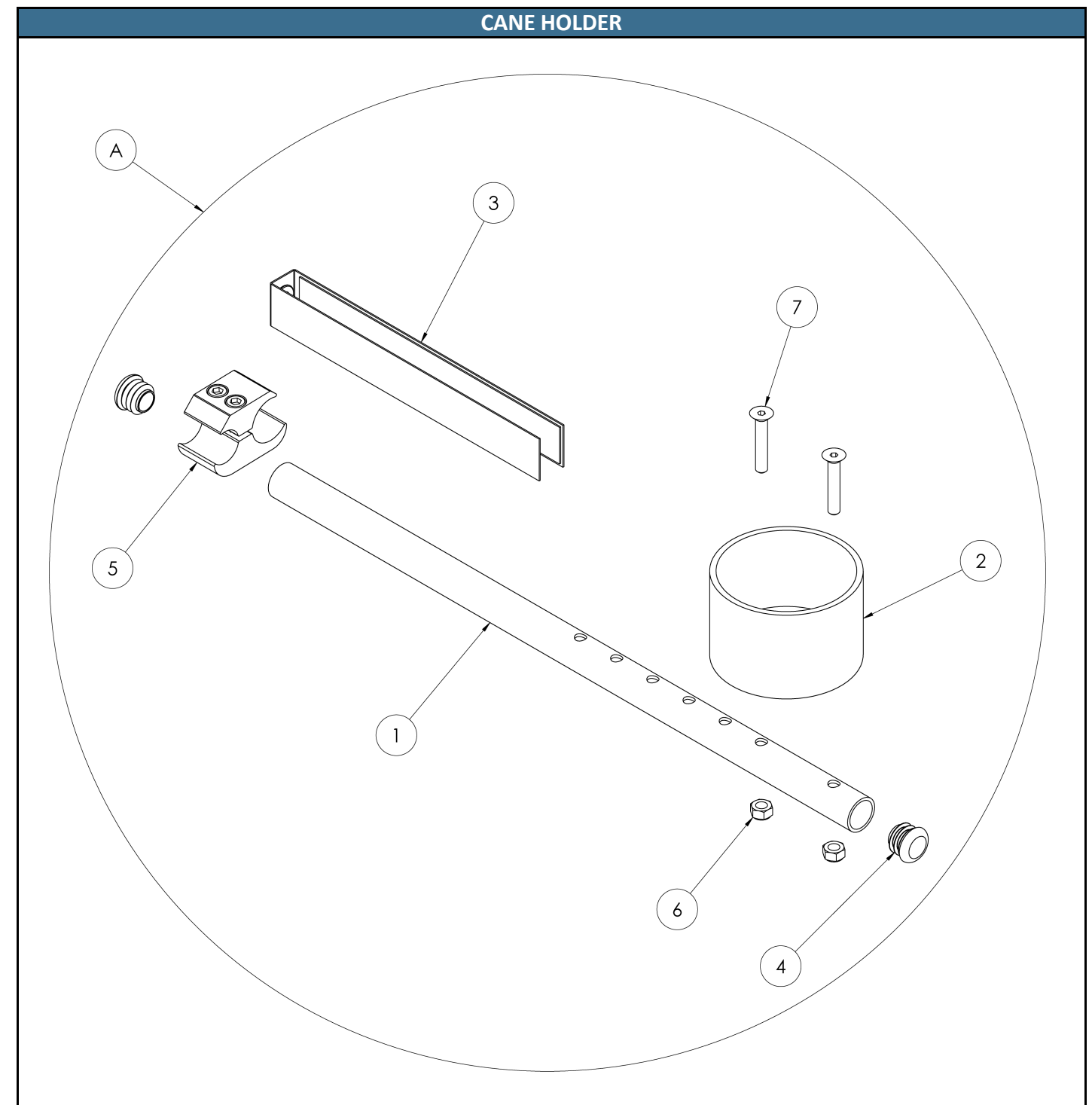
CANE HOLDER

NO.	QTY	DRAWING NO.	DESCRIPTION
A	1	PH-01521	CANE HOLDER
	1	PH-05935	DOUBLE CANE HOLDER

NO.	QTY	DRAWING NO.	DESCRIPTION
1	1	PH-01519	ROD HOLDER SUPPORT TUBE
2	1	PH-01520	CUP
	2	PH-01520	CUP
3	1	PH-01522	HOLDER STRAP
4	2	ST-02623	PLASTIC CAP Ø3/4
5	1	ST-02717	ANCHOR Ø1 ASSEMBLY
6	2	ST-50284	LOCK NUT ZI M6X1.0
	4	ST-50284	LOCK NUT ZI M6X1.0
7	2	ST-50550	FLAT HEAD CAP SCREW SSM6X1.0X35
	4	ST-50550	FLAT HEAD CAP SCREW SSM6X1.0X35

* PART USED IN PH-01521

* PART USED IN PH-05935



SEAT CUSHION

DRAWING NO.	DESCRIPTION
S3350-2315-2.0	FLAT MULTI-LAYER FOAM SEAT CUSHION 23"X 15" X 2"
S3350-2315-3.0	FLAT MULTI-LAYER FOAM SEAT CUSHION 23"X 15" X 3"
S3350-2315-4.0	FLAT MULTI-LAYER FOAM SEAT CUSHION 23"X 15" X 4"
S3350-2316-2.0	FLAT MULTI-LAYER FOAM SEAT CUSHION 23"X 16" X 2"
S3350-2316-3.0	FLAT MULTI-LAYER FOAM SEAT CUSHION 23"X 16" X 3"
S3350-2316-4.0	FLAT MULTI-LAYER FOAM SEAT CUSHION 23"X 16" X 4"
S3350-2317-2.0	FLAT MULTI-LAYER FOAM SEAT CUSHION 23"X 17" X 2"
S3350-2317-3.0	FLAT MULTI-LAYER FOAM SEAT CUSHION 23"X 17" X 3"
S3350-2317-4.0	FLAT MULTI-LAYER FOAM SEAT CUSHION 23"X 17" X 4"
S3350-2318-2.0	FLAT MULTI-LAYER FOAM SEAT CUSHION 23"X 18" X 2"
S3350-2318-3.0	FLAT MULTI-LAYER FOAM SEAT CUSHION 23"X 18" X 3"
S3350-2318-4.0	FLAT MULTI-LAYER FOAM SEAT CUSHION 23"X 18" X 4"
S3350-2319-2.0	FLAT MULTI-LAYER FOAM SEAT CUSHION 23"X 19" X 2"
S3350-2319-3.0	FLAT MULTI-LAYER FOAM SEAT CUSHION 23"X 19" X 3"
S3350-2319-4.0	FLAT MULTI-LAYER FOAM SEAT CUSHION 23"X 19" X 4"
S3350-2320-2.0	FLAT MULTI-LAYER FOAM SEAT CUSHION 23"X 20" X 2"
S3350-2320-3.0	FLAT MULTI-LAYER FOAM SEAT CUSHION 23"X 20" X 3"
S3350-2320-4.0	FLAT MULTI-LAYER FOAM SEAT CUSHION 23"X 20" X 4"
S3350-2321-2.0	FLAT MULTI-LAYER FOAM SEAT CUSHION 23"X 21" X 2"
S3350-2321-3.0	FLAT MULTI-LAYER FOAM SEAT CUSHION 23"X 21" X 3"
S3350-2321-4.0	FLAT MULTI-LAYER FOAM SEAT CUSHION 23"X 21" X 4"
S3350-2322-2.0	FLAT MULTI-LAYER FOAM SEAT CUSHION 23"X 22" X 2"
S3350-2322-3.0	FLAT MULTI-LAYER FOAM SEAT CUSHION 23"X 22" X 3"
S3350-2322-4.0	FLAT MULTI-LAYER FOAM SEAT CUSHION 23"X 22" X 4"
S3350-2323-2.0	FLAT MULTI-LAYER FOAM SEAT CUSHION 23"X 23" X 2"
S3350-2323-3.0	FLAT MULTI-LAYER FOAM SEAT CUSHION 23"X 23" X 3"
S3350-2323-4.0	FLAT MULTI-LAYER FOAM SEAT CUSHION 23"X 23" X 4"
S3350-2324-2.0	FLAT MULTI-LAYER FOAM SEAT CUSHION 23"X 24" X 2"
S3350-2324-3.0	FLAT MULTI-LAYER FOAM SEAT CUSHION 23"X 24" X 3"
S3350-2324-4.0	FLAT MULTI-LAYER FOAM SEAT CUSHION 23"X 24" X 4"
S3350-2414-2.0	FLAT MULTI-LAYER FOAM SEAT CUSHION 24"X 14" X 2"
S3350-2414-3.0	FLAT MULTI-LAYER FOAM SEAT CUSHION 24"X 14" X 3"
S3350-2414-4.0	FLAT MULTI-LAYER FOAM SEAT CUSHION 24"X 14" X 4"
S3350-2415-2.0	FLAT MULTI-LAYER FOAM SEAT CUSHION 24"X 15" X 2"
S3350-2415-3.0	FLAT MULTI-LAYER FOAM SEAT CUSHION 24"X 15" X 3"
S3350-2415-4.0	FLAT MULTI-LAYER FOAM SEAT CUSHION 24"X 15" X 4"
S3350-2416-2.0	FLAT MULTI-LAYER FOAM SEAT CUSHION 24"X 16" X 2"
S3350-2416-3.0	FLAT MULTI-LAYER FOAM SEAT CUSHION 24"X 16" X 3"
S3350-2416-4.0	FLAT MULTI-LAYER FOAM SEAT CUSHION 24"X 16" X 4"
S3350-2417-2.0	FLAT MULTI-LAYER FOAM SEAT CUSHION 24"X 17" X 2"
S3350-2417-3.0	FLAT MULTI-LAYER FOAM SEAT CUSHION 24"X 17" X 3"
S3350-2417-4.0	FLAT MULTI-LAYER FOAM SEAT CUSHION 24"X 17" X 4"
S3350-2418-2.0	FLAT MULTI-LAYER FOAM SEAT CUSHION 24"X 18" X 2"
S3350-2418-3.0	FLAT MULTI-LAYER FOAM SEAT CUSHION 24"X 18" X 3"
S3350-2418-4.0	FLAT MULTI-LAYER FOAM SEAT CUSHION 24"X 18" X 4"
S3350-2419-2.0	FLAT MULTI-LAYER FOAM SEAT CUSHION 24"X 19" X 2"
S3350-2419-3.0	FLAT MULTI-LAYER FOAM SEAT CUSHION 24"X 19" X 3"
S3350-2419-4.0	FLAT MULTI-LAYER FOAM SEAT CUSHION 24"X 19" X 4"
S3350-2420-2.0	FLAT MULTI-LAYER FOAM SEAT CUSHION 24"X 20" X 2"
S3350-2420-3.0	FLAT MULTI-LAYER FOAM SEAT CUSHION 24"X 20" X 3"

SEAT CUSHION

DRAWING NO.	DESCRIPTION
S3350-2420-4.0	FLAT MULTI-LAYER FOAM SEAT CUSHION 24"X 20" X 4"
S3350-2421-2.0	FLAT MULTI-LAYER FOAM SEAT CUSHION 24"X 21" X 2"
S3350-2421-3.0	FLAT MULTI-LAYER FOAM SEAT CUSHION 24"X 21" X 3"
S3350-2421-4.0	FLAT MULTI-LAYER FOAM SEAT CUSHION 24"X 21" X 4"
S3350-2422-2.0	FLAT MULTI-LAYER FOAM SEAT CUSHION 24"X 22" X 2"
S3350-2422-3.0	FLAT MULTI-LAYER FOAM SEAT CUSHION 24"X 22" X 3"
S3350-2422-4.0	FLAT MULTI-LAYER FOAM SEAT CUSHION 24"X 22" X 4"
S3350-2423-2.0	FLAT MULTI-LAYER FOAM SEAT CUSHION 24"X 23" X 2"
S3350-2423-3.0	FLAT MULTI-LAYER FOAM SEAT CUSHION 24"X 23" X 3"
S3350-2423-4.0	FLAT MULTI-LAYER FOAM SEAT CUSHION 24"X 23" X 4"
S3350-2424-2.0	FLAT MULTI-LAYER FOAM SEAT CUSHION 24"X 24" X 2"
S3350-2424-3.0	FLAT MULTI-LAYER FOAM SEAT CUSHION 24"X 24" X 3"
S3350-2424-4.0	FLAT MULTI-LAYER FOAM SEAT CUSHION 24"X 24" X 4"

SLING BACKREST

DRAWING NO.	DESCRIPTION
D4240-1115	FLEXIBLE NYLON BACKREST 11" X 15" (27 CM X 38 CM)
D4240-1211	FLEXIBLE NYLON BACKREST 12" X 11" (30 CM X 27 CM)
D4240-1212	FLEXIBLE NYLON BACKREST 12" X 12" (30 CM X 30 CM)
D4240-1213	FLEXIBLE NYLON BACKREST 12" X 13" (30 CM X 32 CM)
D4240-1214	FLEXIBLE NYLON BACKREST 12" X 14" (30 CM X 36 CM)
D4240-1215	FLEXIBLE NYLON BACKREST 12" X 15" (30 CM X 38 CM)
D4240-1216	FLEXIBLE NYLON BACKREST 12" X 16" (30 CM X 40 CM)
D4240-1217	FLEXIBLE NYLON BACKREST 12" X 17" (30 CM X 44 CM)
D4240-1218	FLEXIBLE NYLON BACKREST 12" X 18" (30 CM X 46 CM)
D4240-1219	FLEXIBLE NYLON BACKREST 12" X 19" (30 CM X 48 CM)
D4240-1220	FLEXIBLE NYLON BACKREST 12" X 20" (30 CM X 50 CM)
D4240-1221	FLEXIBLE NYLON BACKREST 12" X 21" (30 CM X 54 CM)
D4240-1222	FLEXIBLE NYLON BACKREST 12" X 22" (30 CM X 56 CM)
D4240-1223	FLEXIBLE NYLON BACKREST 12" X 23" (30 CM X 58 CM)
D4240-1224	FLEXIBLE NYLON BACKREST 12" X 24" (30 CM X 60 CM)
D4240-1312	FLEXIBLE NYLON BACKREST 13" X 12" (32 CM X 30 CM)
D4240-1313	FLEXIBLE NYLON BACKREST 13" X 13" (32 CM X 32 CM)
D4240-1314	FLEXIBLE NYLON BACKREST 13" X 14" (32 CM X 36 CM)
D4240-1315	FLEXIBLE NYLON BACKREST 13" X 15" (32 CM X 38 CM)
D4240-1316	FLEXIBLE NYLON BACKREST 13" X 16" (32 CM X 40 CM)
D4240-1317	FLEXIBLE NYLON BACKREST 13" X 17" (32 CM X 44 CM)
D4240-1318	FLEXIBLE NYLON BACKREST 13" X 18" (32 CM X 46 CM)
D4240-1319	FLEXIBLE NYLON BACKREST 13" X 19" (32 CM X 48 CM)
D4240-1320	FLEXIBLE NYLON BACKREST 13" X 20" (32 CM X 50 CM)
D4240-1321	FLEXIBLE NYLON BACKREST 13" X 21" (32 CM X 54 CM)
D4240-1322	FLEXIBLE NYLON BACKREST 13" X 22" (32 CM X 56 CM)
D4240-1323	FLEXIBLE NYLON BACKREST 13" X 23" (32 CM X 58 CM)
D4240-1324	FLEXIBLE NYLON BACKREST 13" X 24" (32 CM X 60 CM)
D4240-1412	FLEXIBLE NYLON BACKREST 14" X 12" (35 CM X 30 CM)
D4240-1413	FLEXIBLE NYLON BACKREST 14" X 13" (35 CM X 32 CM)
D4240-1414	FLEXIBLE NYLON BACKREST 14" X 14" (35 CM X 36 CM)
D4240-1415	FLEXIBLE NYLON BACKREST 14" X 15" (35 CM X 38 CM)
D4240-1416	FLEXIBLE NYLON BACKREST 14" X 16" (35 CM X 40 CM)
D4240-1417	FLEXIBLE NYLON BACKREST 14" X 17" (35 CM X 44 CM)
D4240-1418	FLEXIBLE NYLON BACKREST 14" X 18" (35 CM X 46 CM)
D4240-1419	FLEXIBLE NYLON BACKREST 14" X 19" (35 CM X 48 CM)
D4240-1420	FLEXIBLE NYLON BACKREST 14" X 20" (35 CM X 50 CM)
D4240-1421	FLEXIBLE NYLON BACKREST 14" X 21" (35 CM X 54 CM)
D4240-1422	FLEXIBLE NYLON BACKREST 14" X 22" (35 CM X 56 CM)
D4240-1423	FLEXIBLE NYLON BACKREST 14" X 23" (35 CM X 58 CM)
D4240-1424	FLEXIBLE NYLON BACKREST 14" X 24" (35 CM X 60 CM)
D4240-1512	FLEXIBLE NYLON BACKREST 15" X 12" (38 CM X 30 CM)
D4240-1513	FLEXIBLE NYLON BACKREST 15" X 13" (38 CM X 32 CM)
D4240-1514	FLEXIBLE NYLON BACKREST 15" X 14" (38 CM X 36 CM)
D4240-1515	FLEXIBLE NYLON BACKREST 15" X 15" (38 CM X 38 CM)
D4240-1516	FLEXIBLE NYLON BACKREST 15" X 16" (38 CM X 40 CM)
D4240-1517	FLEXIBLE NYLON BACKREST 15" X 17" (38 CM X 44 CM)
D4240-1518	FLEXIBLE NYLON BACKREST 15" X 18" (38 CM X 46 CM)
D4240-1519	FLEXIBLE NYLON BACKREST 15" X 19" (38 CM X 48 CM)
D4240-1520	FLEXIBLE NYLON BACKREST 15" X 20" (38 CM X 50 CM)

SLING BACKREST

DRAWING NO.	DESCRIPTION
D4240-1521	FLEXIBLE NYLON BACKREST 15" X 21" (38 CM X 54 CM)
D4240-1522	FLEXIBLE NYLON BACKREST 15" X 22" (38 CM X 56 CM)
D4240-1523	FLEXIBLE NYLON BACKREST 15" X 23" (38 CM X 58 CM)
D4240-1612	FLEXIBLE NYLON BACKREST 16" X 12" (40 CM X 30 CM)
D4240-1613	FLEXIBLE NYLON BACKREST 16" X 13" (40 CM X 32 CM)
D4240-1614	FLEXIBLE NYLON BACKREST 16" X 14" (40 CM X 36 CM)
D4240-1615	FLEXIBLE NYLON BACKREST 16" X 15" (40 CM X 38 CM)
D4240-1616	FLEXIBLE NYLON BACKREST 16" X 16" (40 CM X 40 CM)
D4240-1617	FLEXIBLE NYLON BACKREST 16" X 17" (40 CM X 44 CM)
D4240-1618	FLEXIBLE NYLON BACKREST 16" X 18" (40 CM X 46 CM)
D4240-1619	FLEXIBLE NYLON BACKREST 16" X 19" (40 CM X 48 CM)
D4240-1620	FLEXIBLE NYLON BACKREST 16" X 20" (40 CM X 50 CM)
D4240-1621	FLEXIBLE NYLON BACKREST 16" X 21" (40 CM X 54 CM)
D4240-1622	FLEXIBLE NYLON BACKREST 16" X 22" (40 CM X 56 CM)
D4240-1623	FLEXIBLE NYLON BACKREST 16" X 23" (40 CM X 58 CM)
D4240-1624	FLEXIBLE NYLON BACKREST 16" X 24" (40 CM X 60 CM)
D4240-1712	FLEXIBLE NYLON BACKREST 17" X 12" (43 CM X 30 CM)
D4240-1713	FLEXIBLE NYLON BACKREST 17" X 13" (43 CM X 32 CM)
D4240-1714	FLEXIBLE NYLON BACKREST 17" X 14" (43 CM X 36 CM)
D4240-1715	FLEXIBLE NYLON BACKREST 17" X 15" (43 CM X 38 CM)
D4240-1716	FLEXIBLE NYLON BACKREST 17" X 16" (43 CM X 40 CM)
D4240-1717	FLEXIBLE NYLON BACKREST 17" X 17" (43 CM X 44 CM)
D4240-1718	FLEXIBLE NYLON BACKREST 17" X 18" (43 CM X 46 CM)
D4240-1719	FLEXIBLE NYLON BACKREST 17" X 19" (43 CM X 48 CM)
D4240-1720	FLEXIBLE NYLON BACKREST 17" X 20" (43 CM X 50 CM)
D4240-1721	FLEXIBLE NYLON BACKREST 17" X 21" (43 CM X 54 CM)
D4240-1722	FLEXIBLE NYLON BACKREST 17" X 22" (43 CM X 56 CM)
D4240-1723	FLEXIBLE NYLON BACKREST 17" X 23" (43 CM X 58 CM)
D4240-1724	FLEXIBLE NYLON BACKREST 17" X 24" (43 CM X 60 CM)
D4240-1812	FLEXIBLE NYLON BACKREST 18" X 12" (45 CM X 30 CM)
D4240-1813	FLEXIBLE NYLON BACKREST 18" X 13" (45 CM X 32 CM)
D4240-1814	FLEXIBLE NYLON BACKREST 18" X 14" (45 CM X 36 CM)
D4240-1815	FLEXIBLE NYLON BACKREST 18" X 15" (45 CM X 38 CM)
D4240-1816	FLEXIBLE NYLON BACKREST 18" X 16" (45 CM X 40 CM)
D4240-1817	FLEXIBLE NYLON BACKREST 18" X 17" (45 CM X 44 CM)
D4240-1818	FLEXIBLE NYLON BACKREST 18" X 18" (45 CM X 46 CM)
D4240-1819	FLEXIBLE NYLON BACKREST 18" X 19" (45 CM X 48 CM)
D4240-1820	FLEXIBLE NYLON BACKREST 18" X 20" (45 CM X 50 CM)
D4240-1821	FLEXIBLE NYLON BACKREST 18" X 21" (45 CM X 54 CM)
D4240-1822	FLEXIBLE NYLON BACKREST 18" X 22" (45 CM X 56 CM)
D4240-1823	FLEXIBLE NYLON BACKREST 18" X 23" (45 CM X 58 CM)
D4240-1824	FLEXIBLE NYLON BACKREST 18" X 24" (45 CM X 60 CM)
D4240-1912	FLEXIBLE NYLON BACKREST 19" X 12" (48 CM X 30 CM)
D4240-1913	FLEXIBLE NYLON BACKREST 19" X 13" (48 CM X 32 CM)
D4240-1914	FLEXIBLE NYLON BACKREST 19" X 14" (48 CM X 36 CM)
D4240-1915	FLEXIBLE NYLON BACKREST 19" X 15" (48 CM X 38 CM)
D4240-1916	FLEXIBLE NYLON BACKREST 19" X 16" (48 CM X 40 CM)
D4240-1917	FLEXIBLE NYLON BACKREST 19" X 17" (48 CM X 44 CM)
D4240-1918	FLEXIBLE NYLON BACKREST 19" X 18" (48 CM X 46 CM)
D4240-1919	FLEXIBLE NYLON BACKREST 19" X 19" (48 CM X 48 CM)

SLING BACKREST

DRAWING NO.	DESCRIPTION
D4240-1920	FLEXIBLE NYLON BACKREST 19" X 20" (48 CM X 50 CM)
D4240-1921	FLEXIBLE NYLON BACKREST 19" X 21" (48 CM X 54 CM)
D4240-1922	FLEXIBLE NYLON BACKREST 19" X 22" (48 CM X 56 CM)
D4240-1923	FLEXIBLE NYLON BACKREST 19" X 23" (48 CM X 58 CM)
D4240-1924	FLEXIBLE NYLON BACKREST 19" X 24" (48 CM X 60 CM)
D4240-2012	FLEXIBLE NYLON BACKREST 20" X 12" (50 CM X 30 CM)
D4240-2013	FLEXIBLE NYLON BACKREST 20" X 13" (50 CM X 32 CM)
D4240-2014	FLEXIBLE NYLON BACKREST 20" X 14" (50 CM X 36 CM)
D4240-2015	FLEXIBLE NYLON BACKREST 20" X 15" (50 CM X 38 CM)
D4240-2016	FLEXIBLE NYLON BACKREST 20" X 16" (50 CM X 40 CM)
D4240-2017	FLEXIBLE NYLON BACKREST 20" X 17" (50 CM X 44 CM)
D4240-2018	FLEXIBLE NYLON BACKREST 20" X 18" (50 CM X 46 CM)
D4240-2019	FLEXIBLE NYLON BACKREST 20" X 19" (50 CM X 48 CM)
D4240-2020	FLEXIBLE NYLON BACKREST 20" X 20" (50 CM X 50 CM)
D4240-2021	FLEXIBLE NYLON BACKREST 20" X 21" (50 CM X 54 CM)
D4240-2022	FLEXIBLE NYLON BACKREST 20" X 22" (50 CM X 56 CM)
D4240-2023	FLEXIBLE NYLON BACKREST 20" X 23" (50 CM X 58 CM)
D4240-2024	FLEXIBLE NYLON BACKREST 20" X 24" (50 CM X 60 CM)
D4240-2112	FLEXIBLE NYLON BACKREST 21" X 12" (53 CM X 30 CM)
D4240-2113	FLEXIBLE NYLON BACKREST 21" X 13" (53 CM X 32 CM)
D4240-2114	FLEXIBLE NYLON BACKREST 21" X 14" (53 CM X 36 CM)
D4240-2115	FLEXIBLE NYLON BACKREST 21" X 15" (53 CM X 38 CM)
D4240-2116	FLEXIBLE NYLON BACKREST 21" X 16" (53 CM X 40 CM)
D4240-2117	FLEXIBLE NYLON BACKREST 21" X 17" (53 CM X 44 CM)
D4240-2118	FLEXIBLE NYLON BACKREST 21" X 18" (53 CM X 46 CM)
D4240-2119	FLEXIBLE NYLON BACKREST 21" X 19" (53 CM X 48 CM)
D4240-2120	FLEXIBLE NYLON BACKREST 21" X 20" (53 CM X 50 CM)
D4240-2121	FLEXIBLE NYLON BACKREST 21" X 21" (53 CM X 54 CM)
D4240-2122	FLEXIBLE NYLON BACKREST 21" X 22" (53 CM X 56 CM)
D4240-2123	FLEXIBLE NYLON BACKREST 21" X 23" (53 CM X 58 CM)
D4240-2124	FLEXIBLE NYLON BACKREST 21" X 24" (53 CM X 60 CM)
D4240-2212	FLEXIBLE NYLON BACKREST 22" X 12" (55 CM X 30 CM)
D4240-2213	FLEXIBLE NYLON BACKREST 22" X 13" (55 CM X 32 CM)
D4240-2214	FLEXIBLE NYLON BACKREST 22" X 14" (55 CM X 36 CM)
D4240-2215	FLEXIBLE NYLON BACKREST 22" X 15" (55 CM X 38 CM)
D4240-2216	FLEXIBLE NYLON BACKREST 22" X 16" (55 CM X 40 CM)
D4240-2217	FLEXIBLE NYLON BACKREST 22" X 17" (55 CM X 44 CM)
D4240-2218	FLEXIBLE NYLON BACKREST 22" X 18" (55 CM X 46 CM)
D4240-2219	FLEXIBLE NYLON BACKREST 22" X 19" (55 CM X 48 CM)
D4240-2220	FLEXIBLE NYLON BACKREST 22" X 20" (55 CM X 50 CM)
D4240-2221	FLEXIBLE NYLON BACKREST 22" X 21" (55 CM X 54 CM)
D4240-2222	FLEXIBLE NYLON BACKREST 22" X 22" (55 CM X 56 CM)
D4240-2223	FLEXIBLE NYLON BACKREST 22" X 23" (55 CM X 58 CM)
D4240-2224	FLEXIBLE NYLON BACKREST 22" X 24" (55 CM X 60 CM)
D4240-2312	FLEXIBLE NYLON BACKREST 23" X 12" (58 CM X 30 CM)
D4240-2313	FLEXIBLE NYLON BACKREST 23" X 13" (58 CM X 32 CM)
D4240-2314	FLEXIBLE NYLON BACKREST 23" X 14" (58 CM X 36 CM)
D4240-2315	FLEXIBLE NYLON BACKREST 23" X 15" (58 CM X 38 CM)
D4240-2316	FLEXIBLE NYLON BACKREST 23" X 16" (58 CM X 40 CM)
D4240-2317	FLEXIBLE NYLON BACKREST 23" X 17" (58 CM X 44 CM)

SLING BACKREST

DRAWING NO.	DESCRIPTION
D4240-2318	FLEXIBLE NYLON BACKREST 23" X 18" (58 CM X 46 CM)
D4240-2319	FLEXIBLE NYLON BACKREST 23" X 19" (58 CM X 48 CM)
D4240-2320	FLEXIBLE NYLON BACKREST 23" X 20" (58 CM X 50 CM)
D4240-2321	FLEXIBLE NYLON BACKREST 23" X 21" (58 CM X 54 CM)
D4240-2322	FLEXIBLE NYLON BACKREST 23" X 22" (58 CM X 56 CM)
D4240-2323	FLEXIBLE NYLON BACKREST 23" X 23" (58 CM X 58 CM)
D4240-2324	FLEXIBLE NYLON BACKREST 23" X 24" (58 CM X 60 CM)
D4240-2412	FLEXIBLE NYLON BACKREST 24" X 12" (60 CM X 30 CM)
D4240-2413	FLEXIBLE NYLON BACKREST 24" X 13" (60 CM X 32 CM)
D4240-2414	FLEXIBLE NYLON BACKREST 24" X 14" (60 CM X 36 CM)
D4240-2415	FLEXIBLE NYLON BACKREST 24" X 15" (60 CM X 38 CM)
D4240-2416	FLEXIBLE NYLON BACKREST 24" X 16" (60 CM X 40 CM)
D4240-2417	FLEXIBLE NYLON BACKREST 24" X 17" (60 CM X 44 CM)
D4240-2418	FLEXIBLE NYLON BACKREST 24" X 18" (60 CM X 46 CM)
D4240-2419	FLEXIBLE NYLON BACKREST 24" X 19" (60 CM X 48 CM)
D4240-2420	FLEXIBLE NYLON BACKREST 24" X 20" (60 CM X 50 CM)
D4240-2421	FLEXIBLE NYLON BACKREST 24" X 21" (60 CM X 54 CM)
D4240-2422	FLEXIBLE NYLON BACKREST 24" X 22" (60 CM X 56 CM)
D4240-2423	FLEXIBLE NYLON BACKREST 24" X 23" (60 CM X 58 CM)
D4240-2424	FLEXIBLE NYLON BACKREST 24" X 24" (60 CM X 60 CM)
D4250-1212	STANDARD ADJUSTABLE TENSION BACKREST 12" X 12" (30 CM X 30 CM)
D4250-1213	STANDARD ADJUSTABLE TENSION BACKREST 12" X 13" (30 CM X 32 CM)
D4250-1214	STANDARD ADJUSTABLE TENSION BACKREST 12" X 14" (30 CM X 36 CM)
D4250-1215	STANDARD ADJUSTABLE TENSION BACKREST 12" X 15" (30 CM X 38 CM)
D4250-1216	STANDARD ADJUSTABLE TENSION BACKREST 12" X 16" (30 CM X 40 CM)
D4250-1217	STANDARD ADJUSTABLE TENSION BACKREST 12" X 17" (30 CM X 44 CM)
D4250-1218	STANDARD ADJUSTABLE TENSION BACKREST 12" X 18" (30 CM X 46 CM)
D4250-1219	STANDARD ADJUSTABLE TENSION BACKREST 12" X 19" (30 CM X 48 CM)
D4250-1220	STANDARD ADJUSTABLE TENSION BACKREST 12" X 20" (30 CM X 50 CM)
D4250-1221	STANDARD ADJUSTABLE TENSION BACKREST 12" X 21" (30 CM X 54 CM)
D4250-1222	STANDARD ADJUSTABLE TENSION BACKREST 12" X 22" (30 CM X 56 CM)
D4250-1223	STANDARD ADJUSTABLE TENSION BACKREST 12" X 23" (30 CM X 58 CM)
D4250-1224	STANDARD ADJUSTABLE TENSION BACKREST 12" X 24" (30 CM X 60 CM)
D4250-1312	STANDARD ADJUSTABLE TENSION BACKREST 13" X 12" (32 CM X 30 CM)
D4250-1313	STANDARD ADJUSTABLE TENSION BACKREST 13" X 13" (32 CM X 32 CM)
D4250-1314	STANDARD ADJUSTABLE TENSION BACKREST 13" X 14" (32 CM X 36 CM)
D4250-1315	STANDARD ADJUSTABLE TENSION BACKREST 13" X 15" (32 CM X 38 CM)
D4250-1316	STANDARD ADJUSTABLE TENSION BACKREST 13" X 16" (32 CM X 40 CM)
D4250-1317	STANDARD ADJUSTABLE TENSION BACKREST 13" X 17" (32 CM X 44 CM)
D4250-1318	STANDARD ADJUSTABLE TENSION BACKREST 13" X 18" (32 CM X 46 CM)
D4250-1319	STANDARD ADJUSTABLE TENSION BACKREST 13" X 19" (32 CM X 48 CM)
D4250-1320	STANDARD ADJUSTABLE TENSION BACKREST 13" X 20" (32 CM X 50 CM)
D4250-1321	STANDARD ADJUSTABLE TENSION BACKREST 13" X 21" (32 CM X 54 CM)
D4250-1322	STANDARD ADJUSTABLE TENSION BACKREST 13" X 22" (32 CM X 56 CM)
D4250-1323	STANDARD ADJUSTABLE TENSION BACKREST 13" X 23" (32 CM X 58 CM)
D4250-1324	STANDARD ADJUSTABLE TENSION BACKREST 13" X 24" (32 CM X 60 CM)
D4250-1412	STANDARD ADJUSTABLE TENSION BACKREST 14" X 12" (35 CM X 30 CM)
D4250-1413	STANDARD ADJUSTABLE TENSION BACKREST 14" X 13" (35 CM X 32 CM)
D4250-1414	STANDARD ADJUSTABLE TENSION BACKREST 14" X 14" (35 CM X 36 CM)
D4250-1415	STANDARD ADJUSTABLE TENSION BACKREST 14" X 15" (35 CM X 38 CM)

SLING BACKREST

DRAWING NO.	DESCRIPTION
D4250-2124	STANDARD ADJUSTABLE TENSION BACKREST 21" X 24" (53 CM X 60 CM)
D4250-2212	STANDARD ADJUSTABLE TENSION BACKREST 22" X 12" (55 CM X 30 CM)
D4250-2213	STANDARD ADJUSTABLE TENSION BACKREST 22" X 13" (55 CM X 32 CM)
D4250-2214	STANDARD ADJUSTABLE TENSION BACKREST 22" X 14" (55 CM X 36 CM)
D4250-2215	STANDARD ADJUSTABLE TENSION BACKREST 22" X 15" (55 CM X 38 CM)
D4250-2216	STANDARD ADJUSTABLE TENSION BACKREST 22" X 16" (55 CM X 40 CM)
D4250-2217	STANDARD ADJUSTABLE TENSION BACKREST 22" X 17" (55 CM X 44 CM)
D4250-2218	STANDARD ADJUSTABLE TENSION BACKREST 22" X 18" (55 CM X 46 CM)
D4250-2219	STANDARD ADJUSTABLE TENSION BACKREST 22" X 19" (55 CM X 48 CM)
D4250-2220	STANDARD ADJUSTABLE TENSION BACKREST 22" X 20" (55 CM X 50 CM)
D4250-2221	STANDARD ADJUSTABLE TENSION BACKREST 22" X 21" (55 CM X 54 CM)
D4250-2222	STANDARD ADJUSTABLE TENSION BACKREST 22" X 22" (55 CM X 56 CM)
D4250-2223	STANDARD ADJUSTABLE TENSION BACKREST 22" X 23" (55 CM X 58 CM)
D4250-2224	STANDARD ADJUSTABLE TENSION BACKREST 22" X 24" (55 CM X 60 CM)
D4250-2312	STANDARD ADJUSTABLE TENSION BACKREST 23" X 12" (58 CM X 30 CM)
D4250-2313	STANDARD ADJUSTABLE TENSION BACKREST 23" X 13" (58 CM X 32 CM)
D4250-2314	STANDARD ADJUSTABLE TENSION BACKREST 23" X 14" (58 CM X 36 CM)
D4250-2315	STANDARD ADJUSTABLE TENSION BACKREST 23" X 15" (58 CM X 38 CM)
D4250-2316	STANDARD ADJUSTABLE TENSION BACKREST 23" X 16" (58 CM X 40 CM)
D4250-2317	STANDARD ADJUSTABLE TENSION BACKREST 23" X 17" (58 CM X 44 CM)
D4250-2318	STANDARD ADJUSTABLE TENSION BACKREST 23" X 18" (58 CM X 46 CM)
D4250-2319	STANDARD ADJUSTABLE TENSION BACKREST 23" X 19" (58 CM X 48 CM)
D4250-2320	STANDARD ADJUSTABLE TENSION BACKREST 23" X 20" (58 CM X 50 CM)
D4250-2321	STANDARD ADJUSTABLE TENSION BACKREST 23" X 21" (58 CM X 54 CM)
D4250-2322	STANDARD ADJUSTABLE TENSION BACKREST 23" X 22" (58 CM X 56 CM)
D4250-2323	STANDARD ADJUSTABLE TENSION BACKREST 23" X 23" (58 CM X 58 CM)
D4250-2324	STANDARD ADJUSTABLE TENSION BACKREST 23" X 24" (58 CM X 60 CM)
D4250-2412	STANDARD ADJUSTABLE TENSION BACKREST 24" X 12" (60 CM X 30 CM)
D4250-2413	STANDARD ADJUSTABLE TENSION BACKREST 24" X 13" (60 CM X 32 CM)
D4250-2414	STANDARD ADJUSTABLE TENSION BACKREST 24" X 14" (60 CM X 36 CM)
D4250-2415	STANDARD ADJUSTABLE TENSION BACKREST 24" X 15" (60 CM X 38 CM)
D4250-2416	STANDARD ADJUSTABLE TENSION BACKREST 24" X 16" (60 CM X 40 CM)
D4250-2417	STANDARD ADJUSTABLE TENSION BACKREST 24" X 17" (60 CM X 44 CM)
D4250-2418	STANDARD ADJUSTABLE TENSION BACKREST 24" X 18" (60 CM X 46 CM)
D4250-2419	STANDARD ADJUSTABLE TENSION BACKREST 24" X 19" (60 CM X 48 CM)
D4250-2420	STANDARD ADJUSTABLE TENSION BACKREST 24" X 20" (60 CM X 50 CM)
D4250-2421	STANDARD ADJUSTABLE TENSION BACKREST 24" X 21" (60 CM X 54 CM)
D4250-2422	STANDARD ADJUSTABLE TENSION BACKREST 24" X 22" (60 CM X 56 CM)
D4250-2423	STANDARD ADJUSTABLE TENSION BACKREST 24" X 23" (60 CM X 58 CM)
D4250-2424	STANDARD ADJUSTABLE TENSION BACKREST 24" X 24" (60 CM X 60 CM)
S1095	SLOTTED METAL HOOK AND BRACKET MOUNTING SYSTEM - 2 HOLES / TUBE DIAMETER 7/8" (22 CM)
S1100	SLOTTED METAL HOOK AND BRACKET MOUNTING SYSTEM - 2 HOLES / TUBE DIAMETER 1" (25 CM)
S1110	SLOTTED METAL HOOK AND BRACKET MOUNTING SYSTEM - 5 HOLES / TUBE DIAMETER 7/8" (22 CM)
S1115	SLOTTED METAL HOOK AND BRACKET MOUNTING SYSTEM - 5 HOLES / TUBE DIAMETER 1" (25 CM)

SLING SEAT

DRAWING NO.	DESCRIPTION
S1520-1414	FIXED SEAT SLING 14" X 14" (355 MM X 355 MM)
S1520-1415	FIXED SEAT SLING 14" X 15" (355 MM X 380 MM)
S1520-1416	FIXED SEAT SLING 14" X 16" (355 MM X 405 MM)
S1520-1417	FIXED SEAT SLING 14" X 17" (355 MM X 430 MM)
S1520-1418	FIXED SEAT SLING 14" X 18" (355 MM X 455 MM)
S1520-1419	FIXED SEAT SLING 14" X 19" (355 MM X 480 MM)
S1520-1420	FIXED SEAT SLING 14" X 20" (355 MM X 505 MM)
S1520-1421	FIXED SEAT SLING 14" X 21" (355 MM X 530 MM)
S1520-1422	FIXED SEAT SLING 14" X 22" (355 MM X 560 MM)
S1520-1423	FIXED SEAT SLING 14" X 23" (355 MM X 585 MM)
S1520-1424	FIXED SEAT SLING 14" X 24" (355 MM X 610 MM)
S1520-1514	FIXED SEAT SLING 15" X 14" (380 MM X 355 MM)
S1520-1515	FIXED SEAT SLING 15" X 15" (380 MM X 380 MM)
S1520-1516	FIXED SEAT SLING 15" X 16" (380 MM X 405 MM)
S1520-1517	FIXED SEAT SLING 15" X 17" (380 MM X 430 MM)
S1520-1518	FIXED SEAT SLING 15" X 18" (380 MM X 455 MM)
S1520-1519	FIXED SEAT SLING 15" X 19" (380 MM X 480 MM)
S1520-1520	FIXED SEAT SLING 15" X 20" (380 MM X 505 MM)
S1520-1521	FIXED SEAT SLING 15" X 21" (380 MM X 530 MM)
S1520-1522	FIXED SEAT SLING 15" X 22" (380 MM X 560 MM)
S1520-1523	FIXED SEAT SLING 15" X 23" (380 MM X 585 MM)
S1520-1524	FIXED SEAT SLING 15" X 24" (380 MM X 610 MM)
S1520-1614	FIXED SEAT SLING 16" X 14" (405 MM X 355 MM)
S1520-1615	FIXED SEAT SLING 16" X 15" (405 MM X 380 MM)
S1520-1616	FIXED SEAT SLING 16" X 16" (405 MM X 405 MM)
S1520-1617	FIXED SEAT SLING 16" X 17" (405 MM X 430 MM)
S1520-1618	FIXED SEAT SLING 16" X 18" (405 MM X 455 MM)
S1520-1619	FIXED SEAT SLING 16" X 19" (405 MM X 480 MM)
S1520-1620	FIXED SEAT SLING 16" X 20" (405 MM X 505 MM)
S1520-1621	FIXED SEAT SLING 16" X 21" (405 MM X 530 MM)
S1520-1622	FIXED SEAT SLING 16" X 22" (405 MM X 560 MM)
S1520-1623	FIXED SEAT SLING 16" X 23" (405 MM X 585 MM)
S1520-1624	FIXED SEAT SLING 16" X 24" (405 MM X 610 MM)
S1520-1714	FIXED SEAT SLING 17" X 14" (430 MM X 355 MM)
S1520-1715	FIXED SEAT SLING 17" X 15" (430 MM X 380 MM)
S1520-1716	FIXED SEAT SLING 17" X 16" (430 MM X 405 MM)
S1520-1717	FIXED SEAT SLING 17" X 17" (430 MM X 430 MM)
S1520-1718	FIXED SEAT SLING 17" X 18" (430 MM X 455 MM)
S1520-1719	FIXED SEAT SLING 17" X 19" (430 MM X 480 MM)
S1520-1720	FIXED SEAT SLING 17" X 20" (430 MM X 505 MM)
S1520-1721	FIXED SEAT SLING 17" X 21" (430 MM X 530 MM)
S1520-1722	FIXED SEAT SLING 17" X 22" (430 MM X 560 MM)
S1520-1723	FIXED SEAT SLING 17" X 23" (430 MM X 585 MM)
S1520-1724	FIXED SEAT SLING 17" X 24" (430 MM X 610 MM)
S1520-1814	FIXED SEAT SLING 18" X 14" (455 MM X 355 MM)
S1520-1815	FIXED SEAT SLING 18" X 15" (455 MM X 380 MM)
S1520-1816	FIXED SEAT SLING 18" X 16" (455 MM X 405 MM)
S1520-1817	FIXED SEAT SLING 18" X 17" (455 MM X 430 MM)
S1520-1818	FIXED SEAT SLING 18" X 18" (455 MM X 455 MM)
S1520-1819	FIXED SEAT SLING 18" X 19" (455 MM X 480 MM)

SLING SEAT

DRAWING NO.	DESCRIPTION
S1520-1820	FIXED SEAT SLING 18" X 20" (455 MM X 505 MM)
S1520-1821	FIXED SEAT SLING 18" X 21" (455 MM X 530 MM)
S1520-1822	FIXED SEAT SLING 18" X 22" (455 MM X 560 MM)
S1520-1823	FIXED SEAT SLING 18" X 23" (455 MM X 585 MM)
S1520-1824	FIXED SEAT SLING 18" X 24" (455 MM X 610 MM)
S1520-1914	FIXED SEAT SLING 19" X 14" (480 MM X 355 MM)
S1520-1915	FIXED SEAT SLING 19" X 15" (480 MM X 380 MM)
S1520-1916	FIXED SEAT SLING 19" X 16" (480 MM X 405 MM)
S1520-1917	FIXED SEAT SLING 19" X 17" (480 MM X 430 MM)
S1520-1918	FIXED SEAT SLING 19" X 18" (480 MM X 455 MM)
S1520-1919	FIXED SEAT SLING 19" X 19" (480 MM X 480 MM)
S1520-1920	FIXED SEAT SLING 19" X 20" (480 MM X 505 MM)
S1520-1921	FIXED SEAT SLING 19" X 21" (480 MM X 530 MM)
S1520-1922	FIXED SEAT SLING 19" X 22" (480 MM X 560 MM)
S1520-1923	FIXED SEAT SLING 19" X 23" (480 MM X 585 MM)
S1520-1924	FIXED SEAT SLING 19" X 24" (480 MM X 610 MM)
S1520-2014	FIXED SEAT SLING 20" X 14" (505 MM X 355 MM)
S1520-2015	FIXED SEAT SLING 20" X 15" (505 MM X 380 MM)
S1520-2016	FIXED SEAT SLING 20" X 16" (505 MM X 405 MM)
S1520-2017	FIXED SEAT SLING 20" X 17" (505 MM X 430 MM)
S1520-2018	FIXED SEAT SLING 20" X 18" (505 MM X 455 MM)
S1520-2019	FIXED SEAT SLING 20" X 19" (505 MM X 480 MM)
S1520-2020	FIXED SEAT SLING 20" X 20" (505 MM X 505 MM)
S1520-2021	FIXED SEAT SLING 20" X 21" (505 MM X 530 MM)
S1520-2022	FIXED SEAT SLING 20" X 22" (505 MM X 560 MM)
S1520-2023	FIXED SEAT SLING 20" X 23" (505 MM X 585 MM)
S1520-2024	FIXED SEAT SLING 20" X 24" (505 MM X 610 MM)
S1520-2114	FIXED SEAT SLING 21" X 14" (530 MM X 355 MM)
S1520-2115	FIXED SEAT SLING 21" X 15" (530 MM X 380 MM)
S1520-2116	FIXED SEAT SLING 21" X 16" (530 MM X 405 MM)
S1520-2117	FIXED SEAT SLING 21" X 17" (530 MM X 430 MM)
S1520-2118	FIXED SEAT SLING 21" X 18" (530 MM X 455 MM)
S1520-2119	FIXED SEAT SLING 21" X 19" (530 MM X 480 MM)
S1520-2120	FIXED SEAT SLING 21" X 20" (530 MM X 505 MM)
S1520-2121	FIXED SEAT SLING 21" X 21" (530 MM X 530 MM)
S1520-2122	FIXED SEAT SLING 21" X 22" (530 MM X 560 MM)
S1520-2123	FIXED SEAT SLING 21" X 23" (530 MM X 585 MM)
S1520-2124	FIXED SEAT SLING 21" X 24" (530 MM X 610 MM)
S1520-2214	FIXED SEAT SLING 22" X 14" (560 MM X 355 MM)
S1520-2215	FIXED SEAT SLING 22" X 15" (560 MM X 380 MM)
S1520-2216	FIXED SEAT SLING 22" X 16" (560 MM X 405 MM)
S1520-2217	FIXED SEAT SLING 22" X 17" (560 MM X 430 MM)
S1520-2218	FIXED SEAT SLING 22" X 18" (560 MM X 455 MM)
S1520-2219	FIXED SEAT SLING 22" X 19" (560 MM X 480 MM)
S1520-2220	FIXED SEAT SLING 22" X 20" (560 MM X 505 MM)
S1520-2221	FIXED SEAT SLING 22" X 21" (560 MM X 530 MM)
S1520-2222	FIXED SEAT SLING 22" X 22" (560 MM X 560 MM)
S1520-2223	FIXED SEAT SLING 22" X 23" (560 MM X 585 MM)
S1520-2224	FIXED SEAT SLING 22" X 24" (560 MM X 610 MM)
S1520-2314	FIXED SEAT SLING 23" X 14" (585 MM X 355 MM)

SLING SEAT

DRAWING NO.	DESCRIPTION
S1520-2315	FIXED SEAT SLING 23" X 15" (585 MM X 380 MM)
S1520-2316	FIXED SEAT SLING 23" X 16" (585 MM X 405 MM)
S1520-2317	FIXED SEAT SLING 23" X 17" (585 MM X 430 MM)
S1520-2318	FIXED SEAT SLING 23" X 18" (585 MM X 455 MM)
S1520-2319	FIXED SEAT SLING 23" X 19" (585 MM X 480 MM)
S1520-2320	FIXED SEAT SLING 23" X 20" (585 MM X 505 MM)
S1520-2321	FIXED SEAT SLING 23" X 21" (585 MM X 530 MM)
S1520-2322	FIXED SEAT SLING 23" X 22" (585 MM X 560 MM)
S1520-2323	FIXED SEAT SLING 23" X 23" (585 MM X 585 MM)
S1520-2324	FIXED SEAT SLING 23" X 24" (585 MM X 610 MM)
S1520-2414	FIXED SEAT SLING 24" X 14" (610 MM X 355 MM)
S1520-2415	FIXED SEAT SLING 24" X 15" (610 MM X 380 MM)
S1520-2416	FIXED SEAT SLING 24" X 16" (610 MM X 405 MM)
S1520-2417	FIXED SEAT SLING 24" X 17" (610 MM X 430 MM)
S1520-2418	FIXED SEAT SLING 24" X 18" (610 MM X 455 MM)
S1520-2419	FIXED SEAT SLING 24" X 19" (610 MM X 480 MM)
S1520-2420	FIXED SEAT SLING 24" X 20" (610 MM X 505 MM)
S1520-2421	FIXED SEAT SLING 24" X 21" (610 MM X 530 MM)
S1520-2422	FIXED SEAT SLING 24" X 22" (610 MM X 560 MM)
S1520-2423	FIXED SEAT SLING 24" X 23" (610 MM X 585 MM)
S1520-2424	FIXED SEAT SLING 24" X 24" (610 MM X 610 MM)
S1525-1414	FIXED SEAT SLING CI 14" X 14" (355 MM X 355 MM)
S1525-1415	FIXED SEAT SLING CI 14" X 15" (355 MM X 380 MM)
S1525-1416	FIXED SEAT SLING CI 14" X 16" (355 MM X 405 MM)
S1525-1417	FIXED SEAT SLING CI 14" X 17" (355 MM X 430 MM)
S1525-1418	FIXED SEAT SLING CI 14" X 18" (355 MM X 455 MM)
S1525-1419	FIXED SEAT SLING CI 14" X 19" (355 MM X 480 MM)
S1525-1420	FIXED SEAT SLING CI 14" X 20" (355 MM X 505 MM)
S1525-1421	FIXED SEAT SLING CI 14" X 21" (355 MM X 530 MM)
S1525-1422	FIXED SEAT SLING CI 14" X 22" (355 MM X 560 MM)
S1525-1423	FIXED SEAT SLING CI 14" X 23" (355 MM X 585 MM)
S1525-1424	FIXED SEAT SLING CI 14" X 24" (355 MM X 610 MM)
S1525-1514	FIXED SEAT SLING CI 15" X 14" (380 MM X 355 MM)
S1525-1515	FIXED SEAT SLING CI 15" X 15" (380 MM X 380 MM)
S1525-1516	FIXED SEAT SLING CI 15" X 16" (380 MM X 405 MM)
S1525-1517	FIXED SEAT SLING CI 15" X 17" (380 MM X 430 MM)
S1525-1518	FIXED SEAT SLING CI 15" X 18" (380 MM X 455 MM)
S1525-1519	FIXED SEAT SLING CI 15" X 19" (380 MM X 480 MM)
S1525-1520	FIXED SEAT SLING CI 15" X 20" (380 MM X 505 MM)
S1525-1521	FIXED SEAT SLING CI 15" X 21" (380 MM X 530 MM)
S1525-1522	FIXED SEAT SLING CI 15" X 22" (380 MM X 560 MM)
S1525-1523	FIXED SEAT SLING CI 15" X 23" (380 MM X 585 MM)
S1525-1524	FIXED SEAT SLING CI 15" X 24" (380 MM X 610 MM)
S1525-1614	FIXED SEAT SLING CI 16" X 14" (405 MM X 355 MM)
S1525-1615	FIXED SEAT SLING CI 16" X 15" (405 MM X 380 MM)
S1525-1616	FIXED SEAT SLING CI 16" X 16" (405 MM X 405 MM)
S1525-1617	FIXED SEAT SLING CI 16" X 17" (405 MM X 430 MM)
S1525-1618	FIXED SEAT SLING CI 16" X 18" (405 MM X 455 MM)
S1525-1619	FIXED SEAT SLING CI 16" X 19" (405 MM X 480 MM)
S1525-1620	FIXED SEAT SLING CI 16" X 20" (405 MM X 505 MM)

SLING SEAT

DRAWING NO.	DESCRIPTION
S1525-1621	FIXED SEAT SLING CI 16" X 21" (405 MM X 530 MM)
S1525-1622	FIXED SEAT SLING CI 16" X 22" (405 MM X 560 MM)
S1525-1623	FIXED SEAT SLING CI 16" X 23" (405 MM X 585 MM)
S1525-1624	FIXED SEAT SLING CI 16" X 24" (405 MM X 610 MM)
S1525-1714	FIXED SEAT SLING CI 17" X 14" (430 MM X 355 MM)
S1525-1715	FIXED SEAT SLING CI 17" X 15" (430 MM X 380 MM)
S1525-1716	FIXED SEAT SLING CI 17" X 16" (430 MM X 405 MM)
S1525-1717	FIXED SEAT SLING CI 17" X 17" (430 MM X 430 MM)
S1525-1718	FIXED SEAT SLING CI 17" X 18" (430 MM X 455 MM)
S1525-1719	FIXED SEAT SLING CI 17" X 19" (430 MM X 480 MM)
S1525-1720	FIXED SEAT SLING CI 17" X 20" (430 MM X 505 MM)
S1525-1721	FIXED SEAT SLING CI 17" X 21" (430 MM X 530 MM)
S1525-1722	FIXED SEAT SLING CI 17" X 22" (430 MM X 560 MM)
S1525-1723	FIXED SEAT SLING CI 17" X 23" (430 MM X 585 MM)
S1525-1724	FIXED SEAT SLING CI 17" X 24" (430 MM X 610 MM)
S1525-1814	FIXED SEAT SLING CI 18" X 14" (455 MM X 355 MM)
S1525-1815	FIXED SEAT SLING CI 18" X 15" (455 MM X 380 MM)
S1525-1816	FIXED SEAT SLING CI 18" X 16" (455 MM X 405 MM)
S1525-1817	FIXED SEAT SLING CI 18" X 17" (455 MM X 430 MM)
S1525-1818	FIXED SEAT SLING CI 18" X 18" (455 MM X 455 MM)
S1525-1819	FIXED SEAT SLING CI 18" X 19" (455 MM X 480 MM)
S1525-1820	FIXED SEAT SLING CI 18" X 20" (455 MM X 505 MM)
S1525-1821	FIXED SEAT SLING CI 18" X 21" (455 MM X 530 MM)
S1525-1822	FIXED SEAT SLING CI 18" X 22" (455 MM X 560 MM)
S1525-1823	FIXED SEAT SLING CI 18" X 23" (455 MM X 585 MM)
S1525-1824	FIXED SEAT SLING CI 18" X 24" (455 MM X 610 MM)
S1525-1914	FIXED SEAT SLING CI 19" X 14" (480 MM X 355 MM)
S1525-1915	FIXED SEAT SLING CI 19" X 15" (480 MM X 380 MM)
S1525-1916	FIXED SEAT SLING CI 19" X 16" (480 MM X 405 MM)
S1525-1917	FIXED SEAT SLING CI 19" X 17" (480 MM X 430 MM)
S1525-1918	FIXED SEAT SLING CI 19" X 18" (480 MM X 455 MM)
S1525-1919	FIXED SEAT SLING CI 19" X 19" (480 MM X 480 MM)
S1525-1920	FIXED SEAT SLING CI 19" X 20" (480 MM X 505 MM)
S1525-1921	FIXED SEAT SLING CI 19" X 21" (480 MM X 530 MM)
S1525-1922	FIXED SEAT SLING CI 19" X 22" (480 MM X 560 MM)
S1525-1923	FIXED SEAT SLING CI 19" X 23" (480 MM X 585 MM)
S1525-1924	FIXED SEAT SLING CI 19" X 24" (480 MM X 610 MM)
S1525-2014	FIXED SEAT SLING CI 20" X 14" (505 MM X 355 MM)
S1525-2015	FIXED SEAT SLING CI 20" X 15" (505 MM X 380 MM)
S1525-2016	FIXED SEAT SLING CI 20" X 16" (505 MM X 405 MM)
S1525-2017	FIXED SEAT SLING CI 20" X 17" (505 MM X 430 MM)
S1525-2018	FIXED SEAT SLING CI 20" X 18" (505 MM X 455 MM)
S1525-2019	FIXED SEAT SLING CI 20" X 19" (505 MM X 480 MM)
S1525-2020	FIXED SEAT SLING CI 20" X 20" (505 MM X 505 MM)
S1525-2021	FIXED SEAT SLING CI 20" X 21" (505 MM X 530 MM)
S1525-2022	FIXED SEAT SLING CI 20" X 22" (505 MM X 560 MM)
S1525-2023	FIXED SEAT SLING CI 20" X 23" (505 MM X 585 MM)
S1525-2024	FIXED SEAT SLING CI 20" X 24" (505 MM X 610 MM)
S1525-2114	FIXED SEAT SLING CI 21" X 14" (530 MM X 355 MM)
S1525-2115	FIXED SEAT SLING CI 21" X 15" (530 MM X 380 MM)

SLING SEAT

DRAWING NO.	DESCRIPTION
S1525-2116	FIXED SEAT SLING CI 21" X 16" (530 MM X 405 MM)
S1525-2117	FIXED SEAT SLING CI 21" X 17" (530 MM X 430 MM)
S1525-2118	FIXED SEAT SLING CI 21" X 18" (530 MM X 455 MM)
S1525-2119	FIXED SEAT SLING CI 21" X 19" (530 MM X 480 MM)
S1525-2120	FIXED SEAT SLING CI 21" X 20" (530 MM X 505 MM)
S1525-2121	FIXED SEAT SLING CI 21" X 21" (530 MM X 530 MM)
S1525-2122	FIXED SEAT SLING CI 21" X 22" (530 MM X 560 MM)
S1525-2123	FIXED SEAT SLING CI 21" X 23" (530 MM X 585 MM)
S1525-2124	FIXED SEAT SLING CI 21" X 24" (530 MM X 610 MM)
S1525-2214	FIXED SEAT SLING CI 22" X 14" (560 MM X 355 MM)
S1525-2215	FIXED SEAT SLING CI 22" X 15" (560 MM X 380 MM)
S1525-2216	FIXED SEAT SLING CI 22" X 16" (560 MM X 405 MM)
S1525-2217	FIXED SEAT SLING CI 22" X 17" (560 MM X 430 MM)
S1525-2218	FIXED SEAT SLING CI 22" X 18" (560 MM X 455 MM)
S1525-2219	FIXED SEAT SLING CI 22" X 19" (560 MM X 480 MM)
S1525-2220	FIXED SEAT SLING CI 22" X 20" (560 MM X 505 MM)
S1525-2221	FIXED SEAT SLING CI 22" X 21" (560 MM X 530 MM)
S1525-2222	FIXED SEAT SLING CI 22" X 22" (560 MM X 560 MM)
S1525-2223	FIXED SEAT SLING CI 22" X 23" (560 MM X 585 MM)
S1525-2224	FIXED SEAT SLING CI 22" X 24" (560 MM X 610 MM)
S1525-2314	FIXED SEAT SLING CI 23" X 14" (585 MM X 355 MM)
S1525-2315	FIXED SEAT SLING CI 23" X 15" (585 MM X 380 MM)
S1525-2316	FIXED SEAT SLING CI 23" X 16" (585 MM X 405 MM)
S1525-2317	FIXED SEAT SLING CI 23" X 17" (585 MM X 430 MM)
S1525-2318	FIXED SEAT SLING CI 23" X 18" (585 MM X 455 MM)
S1525-2319	FIXED SEAT SLING CI 23" X 19" (585 MM X 480 MM)
S1525-2320	FIXED SEAT SLING CI 23" X 20" (585 MM X 505 MM)
S1525-2321	FIXED SEAT SLING CI 23" X 21" (585 MM X 530 MM)
S1525-2322	FIXED SEAT SLING CI 23" X 22" (585 MM X 560 MM)
S1525-2323	FIXED SEAT SLING CI 23" X 23" (585 MM X 585 MM)
S1525-2324	FIXED SEAT SLING CI 23" X 24" (585 MM X 610 MM)
S1525-2414	FIXED SEAT SLING CI 24" X 14" (610 MM X 355 MM)
S1525-2415	FIXED SEAT SLING CI 24" X 15" (610 MM X 380 MM)
S1525-2416	FIXED SEAT SLING CI 24" X 16" (610 MM X 405 MM)
S1525-2417	FIXED SEAT SLING CI 24" X 17" (610 MM X 430 MM)
S1525-2418	FIXED SEAT SLING CI 24" X 18" (610 MM X 455 MM)
S1525-2419	FIXED SEAT SLING CI 24" X 19" (610 MM X 480 MM)
S1525-2420	FIXED SEAT SLING CI 24" X 20" (610 MM X 505 MM)
S1525-2421	FIXED SEAT SLING CI 24" X 21" (610 MM X 530 MM)
S1525-2422	FIXED SEAT SLING CI 24" X 22" (610 MM X 560 MM)
S1525-2423	FIXED SEAT SLING CI 24" X 23" (610 MM X 585 MM)
S1525-2424	FIXED SEAT SLING CI 24" X 24" (610 MM X 610 MM)

PADDED CALF STRAP

DRAWING NO.	DESCRIPTION
MI7120-07X4	KIT -SINGLE PADDING CALF STRAP 7" X 4"
MI7120-08X4	KIT -SINGLE PADDING CALF STRAP 8" X 4"
MI7120-09X4	KIT -SINGLE PADDING CALF STRAP 9" X 4"
MI7120-10X4	KIT -SINGLE PADDING CALF STRAP 10" X 4"
MI7120-11X4	KIT -SINGLE PADDING CALF STRAP 11" X 4"
MI7120-12X4	KIT -SINGLE PADDING CALF STRAP 12" X 4"
MI7120-13X4	KIT -SINGLE PADDING CALF STRAP 13" X 4"
MI7120-14X4	KIT -SINGLE PADDING CALF STRAP 14" X 4"
MI7120-15X4	KIT -SINGLE PADDING CALF STRAP 15" X 4"
MI7120-16X4	KIT -SINGLE PADDING CALF STRAP 16" X 4"
MI7120-17X4	KIT -SINGLE PADDING CALF STRAP 17" X 4"
MI7120-18X4	KIT -SINGLE PADDING CALF STRAP 18" X 4"
MI7120-19X4	KIT -SINGLE PADDING CALF STRAP 19" X 4"
MI7120-20X4	KIT -SINGLE PADDING CALF STRAP 20" X 4"
MI7120-21X4	KIT -SINGLE PADDING CALF STRAP 21" X 4"
MI7120-22X4	KIT -SINGLE PADDING CALF STRAP 22" X 4"
MI7120-23X4	KIT -SINGLE PADDING CALF STRAP 23" X 4"
MI7120-26X4	KIT -SINGLE PADDING CALF STRAP 26" X 4"
MI7125-10X8	KIT -DOUBLE PADDING CALF STRAP 10" X 8"
MI7125-11X8	KIT -DOUBLE PADDING CALF STRAP 11" X 8"
MI7125-12X8	KIT -DOUBLE PADDING CALF STRAP 12" X 8"
MI7125-13X8	KIT -DOUBLE PADDING CALF STRAP 13" X 8"
MI7125-14X8	KIT -DOUBLE PADDING CALF STRAP 14" X 8"
MI7125-15X8	KIT -DOUBLE PADDING CALF STRAP 15" X 8"
MI7125-16X8	KIT -DOUBLE PADDING CALF STRAP 16" X 8"
MI7125-17X8	KIT -DOUBLE PADDING CALF STRAP 17" X 8"
MI7125-18X8	KIT -DOUBLE PADDING CALF STRAP 18" X 8"
MI7125-19X8	KIT -DOUBLE PADDING CALF STRAP 19" X 8"
MI7125-20X8	KIT -DOUBLE PADDING CALF STRAP 20" X 8"
MI7125-21X8	KIT -DOUBLE PADDING CALF STRAP 21" X 8"
MI7125-22X8	KIT -DOUBLE PADDING CALF STRAP 22" X 8"
MI7125-23X8	KIT -DOUBLE PADDING CALF STRAP 23" X 8"
MI7125-24X8	KIT -DOUBLE PADDING CALF STRAP 24" X 8"
MI7125-26X8	KIT -DOUBLE PADDING CALF STRAP 26" X 8"

OTHER OPTIONS

DRAWING NO.	DESCRIPTION
FO-00321	RED AND WHITE REFLECTIVE TAPE
SC7725	POSITIONING BELT
ST-02902	FRONT BUMPER



PHYSIPRO

www.physipro.com

Canada



LES ÉQUIPEMENTS
ADAPTÉS PHYSIPRO INC.

370, 10th Avenue South
Sherbrooke (Québec)
J1G 2R7 Canada

T. 1 800 668-2252
F. 819 565-3337
order@physipro.com

Europe



Importer :
SASU PHYSIPRO IMPORT

Village des entrepreneurs
461, Saint-Léonard Street
49000 Angers - France

T. 02 41 69 38 01
F. 02.41.69.43.32
contact@physipro.fr